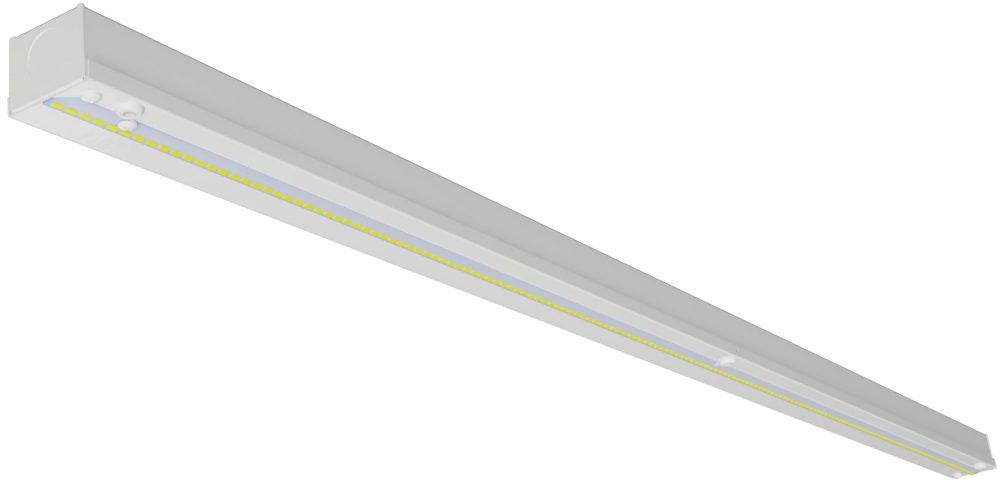


## LSB NR LED STRIP NARROW REFLECTOR



**DESCRIPTION:** The LSBNR Series is an LED Strip available in 2' through 8' body lengths. It was designed for surface or suspended mounting applications. High efficacy LED system allows for economical energy and cost savings vs traditional strip luminaires.

**APPLICATIONS:** The LSBNR Series of LED Strips were designed to be high quality, energy efficient LED fixtures for use in commercial applications, offices, government facilities, schools, and public areas.

**CONSTRUCTION:** The fixture is constructed of a heavy gauge cold rolled steel body.

**OPTICAL SYSTEM:** Narrow beam reflector directs LEDs in a narrow output. Available without reflector. White polyester polymer finish with a high reflectivity.

**ELECTRICAL SYSTEM:** 120-277V applications. 50-60 Hz operation. 0-10V dimming standard. Long-life LED system rated for >100K life hours (L70@ 25°C). Complies with federal energy efficiency standards.

**MOUNTING:** Surface or pendant mount, individually or in continuous rows. Sufficient knockouts are provided. Double KO access on 4 ft and longer.

**LISTINGS:** UL and cUL Listed. Indoor use only.

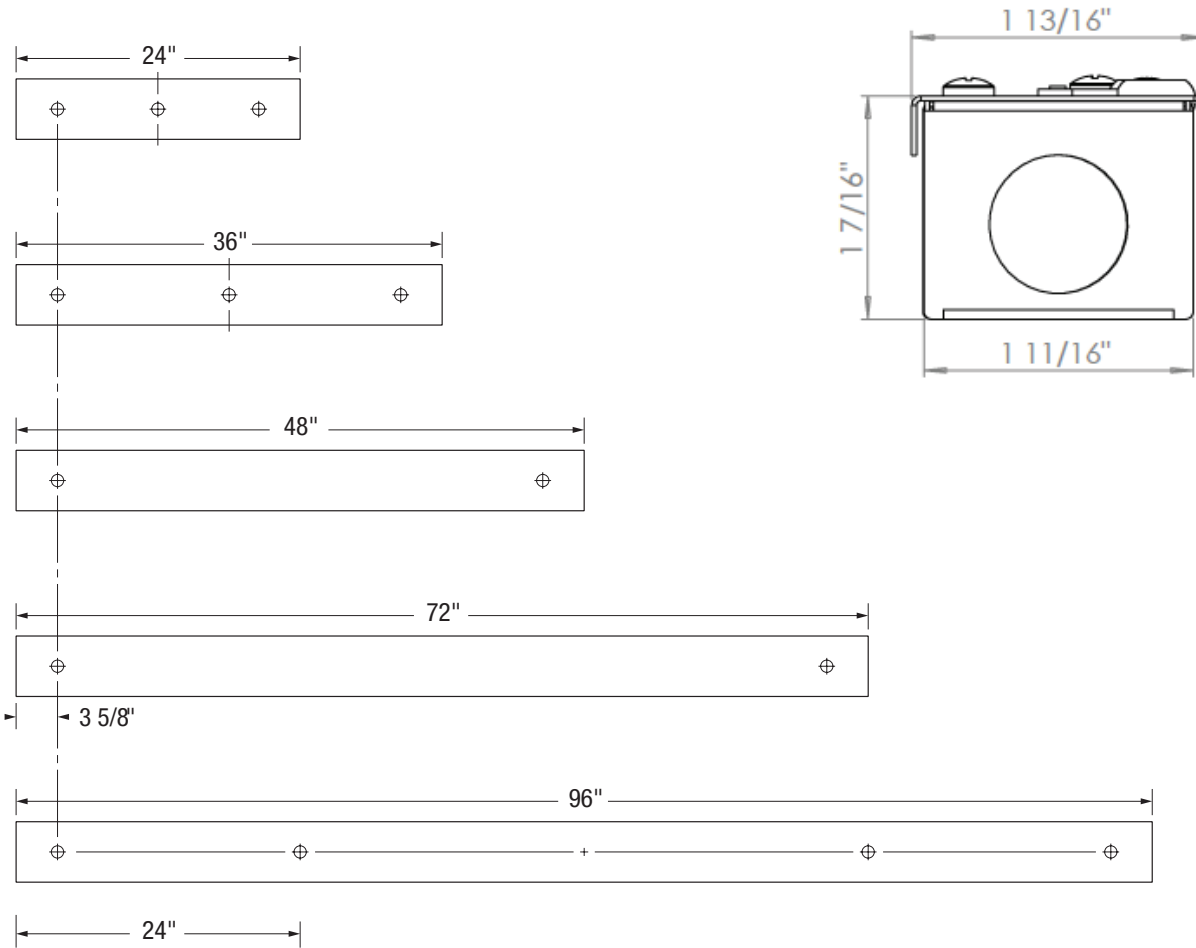
**WARRANTY:** 5-Year Limited Warranty. Complete warranty and terms located at [www.aelnow.com/warranty](http://www.aelnow.com/warranty).

### ORDERING INFORMATION Example: LSBNR-4-40-H-NBR-M-AC20

SERIES	SIZE	COLOR TEMP	ILLUMINATION LEVEL	REFLECTOR	VOLTAGE	OPTIONS
LSB NR	2 2' 3 3' 4 4' 6 6' 8 8'	27 2700K 30 3000K 35 3500K 40 4000K 50 5000K	S Standard (3,600L) M Medium (4,700L) H High (6,800L) XX Custom Lumens (specify)	BLANK None NBR Narrow Beam	M Multi-Volt (120-277VAC)	12EBL 12W Emergency Driver SD Step Dimming Driver SBA2 Asymmetrical Reflector(2') SBA3 Asymmetrical Reflector (3') SBA4 Asymmetrical Reflector (4') JC10 10' Jack Chain ETH End Mount Tong Hangers STH Side Mount Tong Hangers AC10 10' Aircraft Cable Set AC20 20' Aircraft Cable Set SBWG2 Wire Guard (2') SBWG3 Wire Guard (3') SBWG4 Wire Guard (4')

## LSB NR LED STRIP NARROW REFLECTOR

### FIXTURE DIMENSIONS



### LED SYSTEM DATA

Output	Delivered Lumens	Nominal Wattage	L70 @45°C (hrs)	Voltage	
				120V	277V
Standard	3600	25	>100K	.21 A	.09 A
Medium	4700	33	>100K	.28 A	.12 A
High	6800	48	>100K	.40 A	.18 A