

# LRUFO

## LED UFO High Bay



### PRODUCT SPECIFICATIONS

#### DESCRIPTION

The LRUFO is a UFO high bay suitable for indoor and outdoor use. High output and high efficacy LEDs make this high bay an economical choice for commercial, retail, and institutional applications.

#### APPLICATIONS

The LRUFO Series of LED UFO high bays were designed to be high quality, energy efficient LED fixtures for use in commercial, retail, and institutional applications including gymnasiums, factories, and warehouses.

#### CONSTRUCTION

Sealed die-cast aluminum housing designed to limited heat, and coated with anti-UV polyester coating to resist water, salt, corrosion, discoloration, and scratching. Wet location suitable. Bi-level motion sensor option available. Available in dark bronze, black, and white finishes.

#### OPTICAL SYSTEM

High transmission Anti-UV Frosted polycarbonate lens with high efficacy LEDs provides optimal high bay photometry.

#### ELECTRICAL SYSTEM

1-10v 10% dimming standard on all models. 67W and 97W models available in 120-277V, 140W and 180W models available in 120-277V and 347-480V. Operating temperature of -40°C to 55°C (-40°F to 131°F)

#### MOUNTING

Hook mount, pendant mount, and surface mount available.

#### LISTINGS

UL and cUL Listed. IP65 Wet Location rated for dust tight, water jets: IEC 60529.

#### WARRANTY

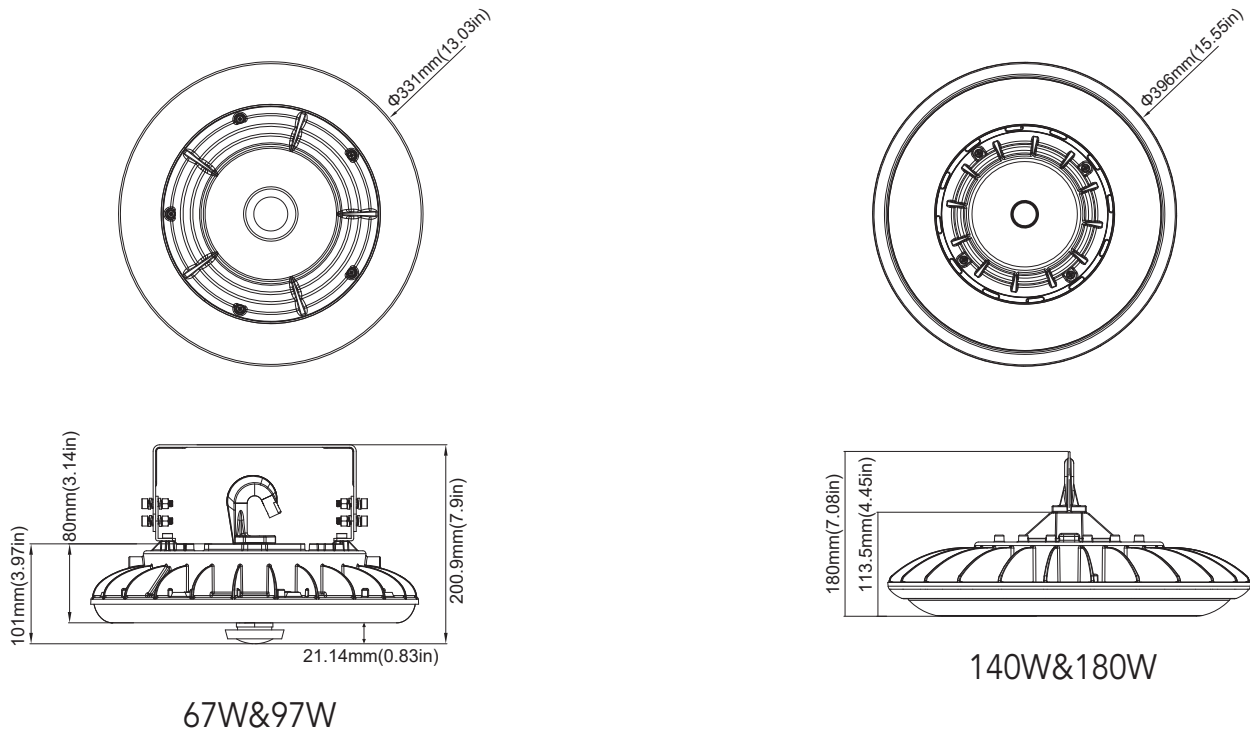
5-Year Limited Warranty. Complete warranty and terms located at: [www.aelnow.com/warranty](http://www.aelnow.com/warranty).

## ORDERING INFORMATION

Example: LRUFO-50-97W-W-M

| Series | CCT      | Wattage                 | Finish                              | Voltage                      | \   |
|--------|----------|-------------------------|-------------------------------------|------------------------------|---|
| LRUFO  | 40 4000K | 67W 67W 9,400 Lumens    | D Dark Bronze<br>B Black<br>W White | M Multi-Volt<br>(120/277VAC) | EM Emergency Battery<br>MS Bi-Level Motion Sensor |
|        | 50 5000K | 97W 97W 13,700 Lumens   |                                     |                              |   |
|        |          | 140W 140W 19,100 Lumens |                                     | 480 347-480VAC               |   |
|        |          | 180W 180W 24,500 Lumens |                                     |                              |   |

### FIXTURE DIMENSIONS



### SYSTEM WATTAGE

| SYSTEM WATTS | PHOTOMETRY | VOLTAGE             | 4000K(70CRI) |         | 5000K(70CRI) |         |
|--------------|------------|---------------------|--------------|---------|--------------|---------|
|              |            |                     | LUMENS       | LPW     | LUMENS       | LPW     |
| 67W          | High Bay   | 120-277VAC          | 9350lm       | 140lm/W | 9400lm       | 140lm/W |
| 97W          | High Bay   | 120-277VAC          | 13600lm      | 140lm/W | 13700lm      | 141lm/W |
| 140W         | High Bay   | 120-277VAC/347-480V | 18900lm      | 135lm/W | 19100lm      | 136lm/W |
| 180W         | High Bay   | 120-277VAC/347-480V | 23500lm      | 131lm/W | 24500lm      | 136lm/W |

### PHOTOMETRICS

