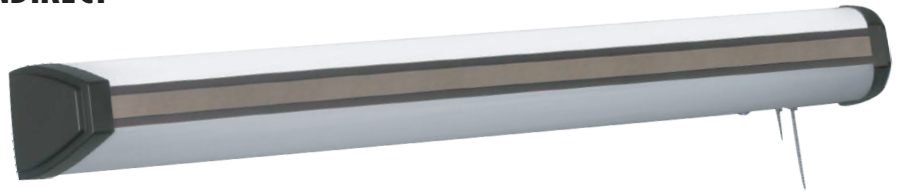




CATALOG #:
PROJECT:
TYPE:

LOBDID LED DIRECT/INDIRECT OVER-BED LUMINAIRE



DESCRIPTION: The LOBDID is a stylish Direct/Indirect Over-Bed Luminaire available in 2', 3' and 4' lengths. Various customization options allow this versatile fixture to fit into any design. Direct only option features a stylish closed-top design to prevent unwanted uplight. A Convenient Outlet is available as an option.

APPLICATIONS: The LOBDID was created for use in hospitals, longterm care facilities, assisted living facilities, nursing homes, but its versatile design makes it perfect for any application.

OPTICAL SYSTEM: High output LED's available in 3000K, 3500K, 4000K, and 5000K. CRI >82. A white acrylic extruded profile diffuser evenly disperses the light both directly and indirectly.

CONSTRUCTION: Molded white DR acrylic provides sturdy and thick one piece lens option. Compound curved contemporary styled wedge shaped end caps.

ELECTRICAL SYSTEM: Electronic driver 0-10V dimming standard. For outputs. Long-life LED system rated for >100K hours (L70 @ 45°C). Complies with federal energy efficiency standards.

MOUNTING: Surface Mount/Wall Mount included standard.

WARRANTY: 5-Year Limited Warranty. Complete warranty and terms located at www.aelnow.com/warranty

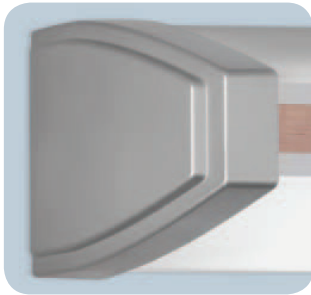
Ordering Example: LOBDID2-30-20L-30-35L-010-NRSW-M-CD1

SERIES	CCT UP	AMBIENT LEVEL UP	CCT DOWN	AMBIENT LEVEL DOWN	END CAP FINISH
LOBDID2 2'	BLANK NONE	BLANK NONE	30 3000K	15L 1500 Lumens	010 Brushed Nickel
LOBDID3 3'	30 3000K	15L 1500 Lumens	35 3500K	20L 2000 Lumens	302 Solid White
LOBDID4 4'	35 3500K	20L 2000 Lumens	40 4000K	25L 2500 Lumens	WM White Marble
	40 4000K	25L 2500 Lumens	50 5000K	30L 3000 Lumens	<i>See next page for finish examples</i>
	50 5000K	30L 3000 Lumens		35L 3500 Lumens	
		35L 3500 Lumens		40L 4000 Lumens	
		40L 4000 Lumens		50L 5000 Lumens	
		50L 5000 Lumens		60L 6000 Lumens	
		60L 6000 Lumens		70L 7000 Lumens	
		70L 7000 Lumens			

CIRCUITS	PULL CHAIN	VOLTAGE	DRIVER OPTIONS	OPTIONS
NRSW Nickel Rear/Solid White Center	BLANK None	M Multi-Volt (120-277V)	BLANK 0-10V Dimming Driver (included standard)	12EBL 1200 Lumen Emergency Ballast
SW Solid White	PC3 3 Position Pull Chain		CD1 0-10V 1% to Off Dimming Driver	VDO Lutron Vive integral fixture control (RF with daylight and occupancy sensing)
			CD5 0-10V 5% to Off Dimming Driver	FCJ50 Lutron Vive attached RF fixture controller for 0-10V drivers
			EDN Electronic Driver Non-Dimming	TTPS Tamper-Proof Screws
			FLDD Fifth Light Dali, Dimming	LVC Low Voltage Controller
			LDE1 Lutron Hi-lume 1% EcoSystem LED driver with Soft-on, Fade-to-Black dimming technology	CO Convenience Outlet
			LDE5 Lutron LDE5 5-Series Ecosystem 5% Dimming	

LOBDID LED DIRECT/INDIRECT OVER-BED LUMINAIRE

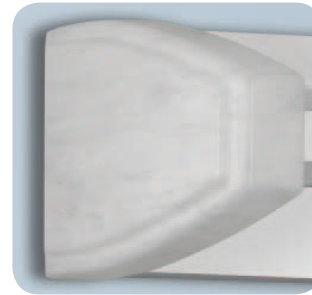
END CAP FINISHES



010 - Brushed Nickel



302 - Solid White



WM - White Marble

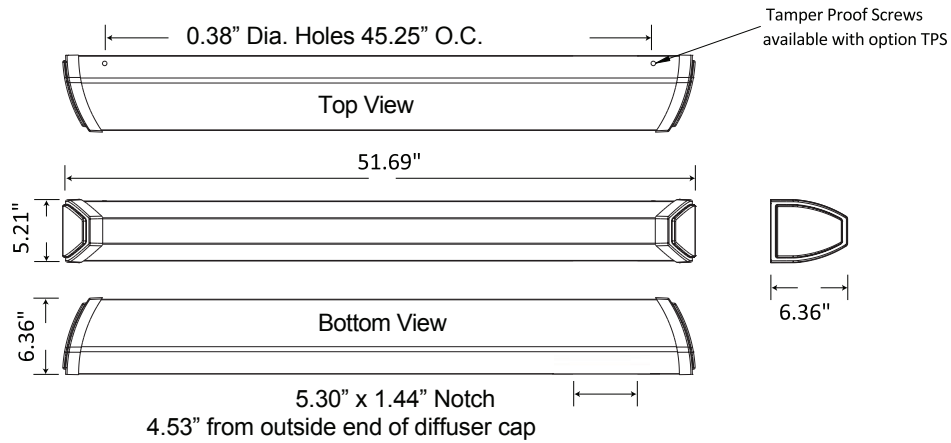


NRSW Nickel Rear/Solid White Center



SWO - Solid White

DIMENSIONS



Output	Delivered Lumens	System Wattage	L70 @45C (hrs)
15L	1500	11	>100K
20L	2000	14	>100K
25L	2500	18	>100K
30L	3000	21.5	>100K
35L	3500	25	>100K
40L	4000	28.5	>100K
50L	5000	35.5	>100K
60L	6000	43	>100K
70L	7000	50	>100K

* Delivered Lumens shown were tested with 4000K LEDs

APPROXIMATE COLOR TEMPERATURE MULTIPLIER

		LUMENS		
5000K	X	1.03	=	
4000K	X	1	=	
3500K	X	.97	=	
3000K	X	.94	=	
2700K	X	.91	=	