

## LNW

### LED Wrap



STANDARD

OPTIONAL



#### PRODUCT SPECIFICATIONS

##### DESCRIPTION

The LNW Series is a LED Wrap available in 2', 4' or 8' body lengths. It is a low-profile, narrow wrap that is designed for surface mounting applications. The LNW utilizes state-of-the-art LED technology to deliver the highest possible efficiency in the lighting industry.

##### APPLICATIONS

The LNW Series of LED Wraps are designed to be high quality, energy efficient LED fixtures for use in commercial applications, industrial and garage applications, as well as kitchens, offices, and storage rooms.

##### CONSTRUCTION

The fixture is constructed of a die-formed heavy gauge steel body. Housing embossed for maximum rigidity. Smooth hemmed sides for safe handling.

##### OPTICAL SYSTEM

High output LED's available in 3000K, 3500K, 4000K, and 5000K. CRI >82. White polyester polymer finish with a minimum 93% reflectivity. Lift-and-shift lens. Advanced microprism clear acrylic lens design provides excellent lamp obscuration. Linear sides provide excellent light distribution and put more light in task areas. Manufactured from durable DR/Acrylic polymer blend.

##### ELECTRICAL SYSTEM

Electronic drivers are available for 120/277V applications. Long-life LED system rated for >100K life hours (L70 @ 25°C). Metal gear tray for internal LED driver. Complies with federal energy efficiency standards.

##### MOUNTING

Unit may be surface, stem or aircraft cable mounted individually or in continuous rows

##### LISTINGS

Independently tested to IESNA LM-79 and LM-80 specifications. UL and cUL Listed. Damp location rated.

##### WARRANTY

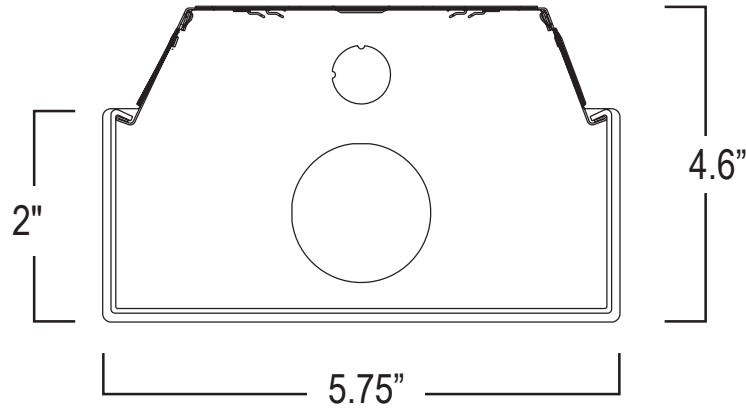
5-Year Limited Warranty. Complete warranty and terms located at [www.aelnow.com/warranty](http://www.aelnow.com/warranty).

#### ORDERING INFORMATION

Example: LNW440HLM

SERIES		COLOR TEMP		ILLUMINATION LEVEL		VOLTAGE		OPTIONS	
LNW2	2'	30	3000K	SL	Standard Low	M	Multi-Volt  (120-277VAC)	12EBL	1200 Lumen Emergency Ballast
LNW4	4'	35	3500K	ML	Medium Low			AC10	10' Aircraft Cables
LNW8	8'	40	4000K	HL	High Low			AC20	20' Aircraft Cables
				SM	Standard Medium			JC10	10' Jack Chain Kit
				MM	Medium Medium				
				HM	High Medium				
	50	5000K	SH	Standard High					
				MH	Medium High				
				HH	High High				

\*For optional lumen packages, specify the desired lumens desired at the end of the part#. EX: LNW440HLM10800\*

**FIXTURE DIMENSIONS**

**ENERGY AND PERFORMANCE DATA**

Input Voltage	120/277VAC
System Input Power	33 - 179 Watts*
Delivered Lumen Output	4650 - 25000 Lumens
Standard Dimming Control	0-10V
CCT	3000, 3500, 4000, 5000 Kelvin
CRI	82 (minimum)
Life Time Rating	100,000 hrs @ L70
Input Frequency	50/60 Hz
Power Factor	>0.9
Operating Temp	30° to 50° C

\*Actual wattage may differ by ±5% while operating 120/277V ±10%

Output	Delivered Lumens	System Wattage	L70 @25C (hrs)
SL	4650	33	>100K
ML	7974	57	>100K
HL	11150	80	>100K
SM	12040	86	>100K
MM	13016	93	>100K
HM	15728	112	>100K
SH	16500	118	>100K
MH	20000	143	>100K
HH	25000	179	>100K

Approximate Color Temperature Multiplier	
5000K	1.03
4000K	1
3500K	0.97
3000K	0.94
2700K	0.91