

LLI

4x4 LED Lay-In



STANDARD

OPTIONAL



SPECIFICATIONS

DESCRIPTION

The LLI Series of Lay-In Luminaires were designed to be high quality, energy efficient LED fixtures for use in commercial applications, offices, government facilities, schools, and public areas.

CONSTRUCTION

The fixture is constructed of a heavy 20 gauge steel body. Housing embossed for maximum rigidity. Rounded side flanges for safe handling. Powder-coat white painted finish. Wiring access available on both top and sides of housing. Lift and shift lens is removable for room-side maintenance of lens, driver and LED boards.

OPTICAL SYSTEM

High output LED's available in 3000K, 3500K, 4000K, and 5000K. CRI >82. Single piece extruded diffuse frosted glaze white satin acrylic lens creating a fully luminous aperture with high LED diffusion. Additional lens options are available, consult factory.

ELECTRICAL SYSTEM

Electronic drivers are available for 120/277V applications. Long-life LED system rated for >100K life hours (L70 @ 25°C). Metal gear tray for internal LED driver. Complies with federal energy efficiency standards. 90 CRI available - contact factory.

MOUNTING

This fixture can be recess-mounted in a acoustical and inaccessible ceilings.

LISTINGS

Independently tested to IESNA LM-79 and LM-80 specifications. UL and cUL Listed. Made in the USA.

WARRANTY

5-Year Limited Warranty. Completed warranty and terms located at: www.aelnow.com/warranty

ORDERING INFORMATION

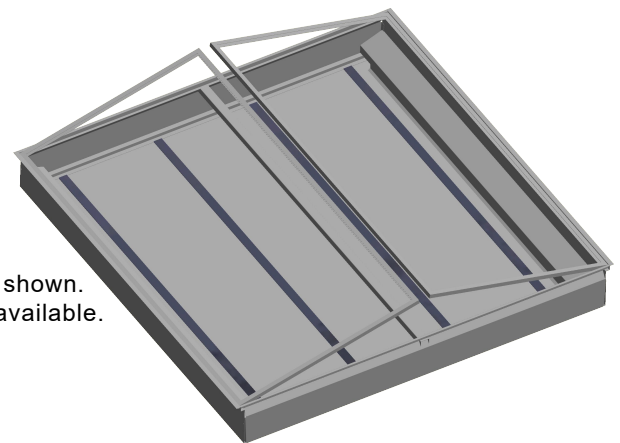
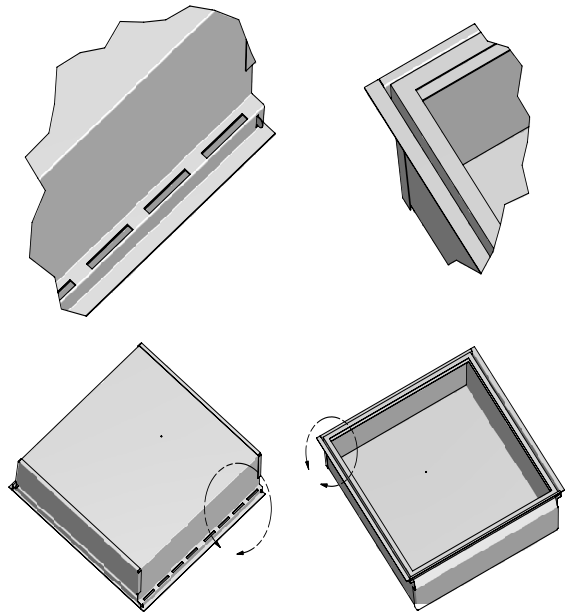
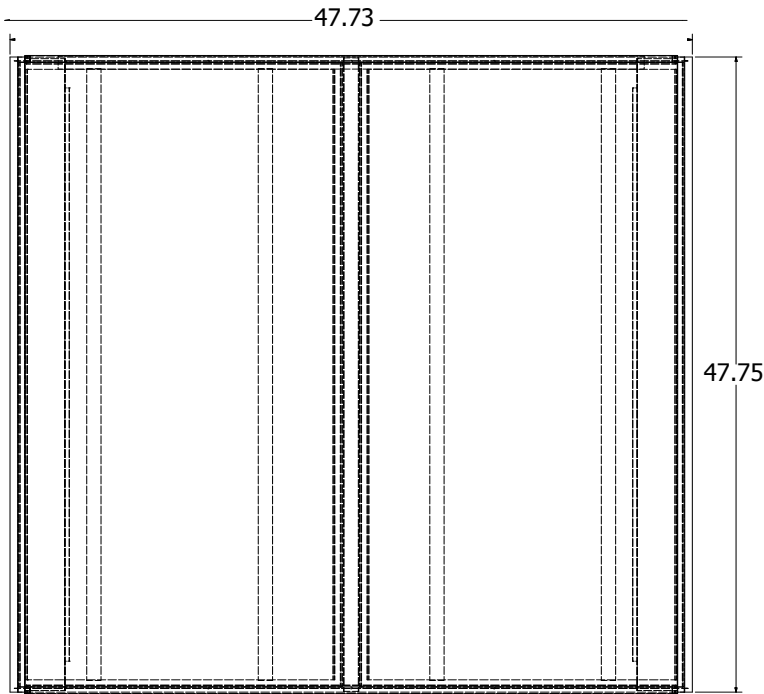
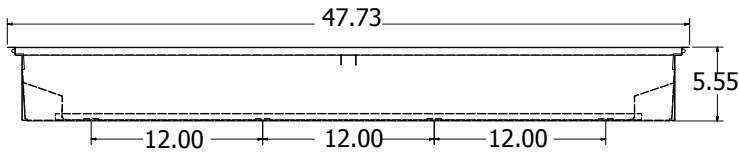
Example: LLI40HLA12SDM

Options: 12EBL

SERIES	COLOR TEMP	ILLUMINATION LEVEL	DOOR FRAME	DIFFUSER	DOOR FRAME	VOLTAGE						
LLI	30	3000K	SL	Standard Low	BLANK	Flush Steel, White	S	Frosted Glaze Satin Acrylic	SD	Single Door	M	Multi-Volt (120-277VAC)
	35	3500K	ML	Medium Low	FN	Flush Aluminum, Natural			DD	Double Door		
	40	4000K	HL	High Low	FB	Flush Aluminum, Black						
	50	5000K	SM	Standard Medium	FW	Flush Aluminum, White						
			MM	Medium Medium	RN	Regressed Aluminum, Natural						
			HM	High Medium	RB	Regressed Aluminum, Matte Black						
			SH	Standard High	RW	Regressed Aluminum, White						
			MH	Medium High								
			HH	High High								

DRIVER OPTIONS	EMERGENCY OPTIONS	MOUNTING KIT	OPTIONS				
BLANK	0-10V Dimming Driver (included standard)	12EBL	1200 Lumen Emergency Ballast	FK44	4x4 Flange Kit	FW	Flexible Armored Cable 6' 18/3
CD1	0-10V 1% to Off Dimming Driver					FW5	Flex Whip 5-Wire 18/5
CD5	0-10V 5% to Off Dimming Driver					IS	Internal Sensor
EDN	Electronic Driver Non-Dimming					SD	Step Dimming
FLDD	Fifth Light Dali, Dimming					TP	Tamper-Proof
LDE1	Lutron Hi-Lume 1% EcoSystem LED driver with Soft-on, Fade-to-Black dimming technology					90	90 CRI
LDE5	Lutron LDE5 5-Series Ecosystem 5% Dimming					VDO	Lutron Vive integral fixture control (RF with daylight and occupancy sensing)
						FCJ50	Lutron Vive attached fixture control (RF only for 0-10V drivers)

**For Optional Lumen Packages, please specify the desired lumens at the end of the part#. Ex. LLI40MLA12SDM



Double Door option shown.
Single Door option available.

Output	Delivered Lumens	System Wattage	L70 @20C (hrs)
SL	4650	33	>100K
ML	7974	57	>100K
HL	11150	80	>100K
SM	12040	86	>100K
MM	13016	93	>100K
HM	15728	112	>100K
SH	16500	118	>100K
MH	20000	143	>100K
HH	25000	179	>100K

Approximate Color Temperature Multiplier	
5000K	1.03
4000K	1
3500K	0.97
3000K	0.94
2700K	0.91