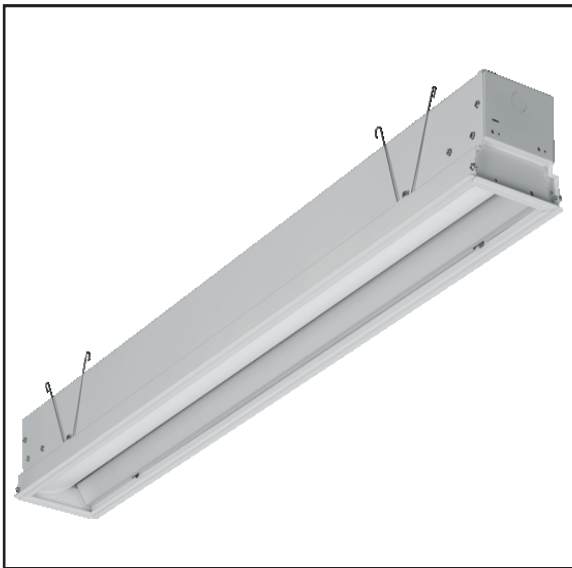




LDL6RWWS

6" Recessed Steel Designer LED
Recessed Wall Wash Steel



STANDARD | OPTIONAL



ORDERING INFORMATION

Example: LDL24RWWS40MA12FM4W
Options: 12EBL

SERIES	COLOR TEMP	OUTPUT	LENS
LDL6RWWS	30 3000K	S Standard	S Satin Lens
	35 3500K	HS High Standard	
	40 4000K	M Medium	
	50 5000K	HM High Medium	

MOUNTING	VOLTAGE	FINISH	ROW LENGTH	OPTIONS
L Lay-in Grid	M 120/277 Multi-Volt	W White	2 2 Feet	12EBL 1200 Lumen Emergency Ballast
F Flanged		SP Special	3 3 Feet	
FT Flangeless Trim			4 4 Feet	
			5 5 Feet	
			6 6 Feet	
			7 7 Feet	
			8 8 Feet	
			XX XX Feet	

PRODUCT SPECIFICATIONS DESCRIPTION

The LDL6RWWS Series is an architecturally designed Recessed Wall Wash Steel LED Luminaire that is classically styled and fit for any interior. It is available for continuous run mounting.

APPLICATIONS

The LDL6RWWS Series of Recessed Wall Wash Steel Luminaires were designed to be high quality, energy efficient LED fixtures for use in commercial applications, offices, hotel lobbies, museums, government facilities, schools, retail, public areas, and more.

CONSTRUCTION

The fixture is constructed of a 6" wide heavy gauge steel body. The fixture is available in any run length within 1' increments. Heavy duty housing crimped along sides for extra rigidity and straight alignment.

OPTICAL SYSTEM

High output LED's available in 3000K, 3500K, 4000K, and 5000K. CRI >82. Satin lens provides for a beautiful architectural design while maintaining optimal light output.

ELECTRICAL SYSTEM

Electronic drivers are available for 120/277V applications, standard 0-10 dimming. Long-life LED system rated for >50K life hours (L70 @ 25°C). Metal gear tray for internal LED driver. Complies with federal energy efficiency standards.

MOUNTING

This fixture is designed to be recessed mounted. Continuous run available.

LISTINGS

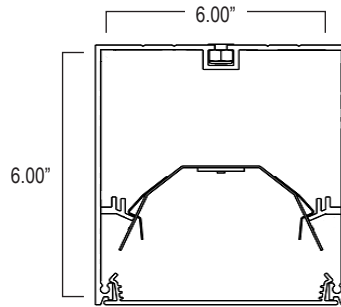
Independently tested to IESNA LM-79 and LM-80 specifications. UL and cUL Listed.

WARRANTY

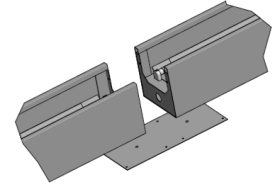
5-Year Limited Warranty. Complete warranty and terms located at www.aelnow.com/resources.



FIXTURE DIMENSIONS



For Continuous Run Mounts:

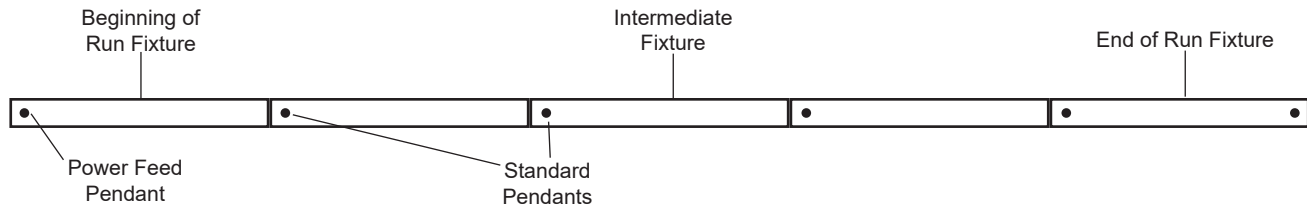


ROW CONFIGURATIONS

AEL would like to double check your Bill of Material upon placement of your order if the number of rows and their individual row lengths are provided on the purchase order as follows:

Row 1 - 8' Row 2 - 8' Row 3 - 24' Row 4 - 24'

Please provide any additional pertinent information such as additional power drops required mid-row.



Row Length	2'	4'	6'	8'	10'	12'	14'	16'	18'	20'	22'	24'	26'	28'	30'	32'	34'	36'	38'	40'	42'	44'	46'	48'
2'	1		1		1		1		1		1		1		1		1		1		1		1	
4'		1	1			1	1			1	1			1	1			1	1			1	1	
8'				1	1	1	1	2	2	2	2	3	3	3	3	4	4	4	4	5	5	5	5	6
Total Pendants Needed	2	2	3	2	3	3	4	3	4	4	5	4	5	5	6	5	6	6	7	6	7	7	8	7

LED SYSTEM DATA

Output	Delivered Lumens Per Foot	System Wattage Per Foot	CRI	LPW
Standard	506 Lm/Ft	3.3	82	148
Medium	709 Lm/Ft	5.1	82	139
High Standard	965 Lm/Ft	6.9	82	140
High Medium	1,468 Lm/Ft	10.3	82	143

Additional Lumen options available add desired lumens to end of part #
e.g. LDL6RWS40MSMW43500

ENERGY AND PERFORMANCE DATA

Input Voltage	120/277 VAC
Standard Dimming Control	0-10V
CCT	3000, 3500, 4000, 5000 Kelvin
CRI	82 (minimum)
Life Time Rating	100,000 hrs at L70
Input Frequency	50/60Hz
Power Factor	>0.9
Operating Temp	Low Ambient -20°C/ High Ambient 50°C

Length	Lumens	Wattage
2 Foot	1012	6.6
3 Foot	1518	9.9
4 Foot	2024	13.2
6 Foot	3036	19.8
8 Foot	4048	26.4

Length	Lumens	Wattage
2 Foot	1418	10.2
3 Foot	2127	15.3
4 Foot	2836	20.4
6 Foot	4254	30.6
8 Foot	5672	40.8

Length	Lumens	Wattage
2 Foot	1930	13.8
3 Foot	2895	20.7
4 Foot	3860	27.6
6 Foot	5790	41.4
8 Foot	7720	55.2

Length	Lumens	Wattage
2 Foot	2936	20.6
3 Foot	4404	30.9
4 Foot	5872	41.2
6 Foot	8808	61.8
8 Foot	11744	82.4