

LBSL

LED I-Beam High Bay Strip



STANDARD



OPTIONAL



PRODUCT SPECIFICATIONS

DESCRIPTION

The LBSL LED Covered I-Beam High Bay Luminaire is designed to deliver general, ambient lighting in a variety of settings. The LBSL has a high-efficacy, which provides long life and uniform illumination. The versatility of our LBSL ensures it is the perfect choice as it can be surface mounted on wall or ceiling or pendant mounted with specially engineering cable mounting kit.

APPLICATIONS

The LBSL I-Beam High Bay Luminaires is designed to be high quality, energy efficient LED fixtures for use in schools, office spaces, hospitals, commercial and retail spaces.

CONSTRUCTION

Fully assembled housing is formed and welded, 22 gauge steel, chemically treated to resist corrosion and enhance paint adhesion.

OPTICAL SYSTEM

Uniform illumination with no visible LED pixelation.

ELECTRICAL SYSTEM

120-277V electronic program start ballasts. 50-60 Hz operation. Standard 0-10v dimming capability.

MOUNTING

Multiple mounting options available. Please contact factory.

LISTINGS

UL and cUL Listed. Damp location rated.

WARRANTY

5-Year Limited Warranty on electronics and housing. Complete warranty and terms located at www.aelnow.com/warranty.

ORDERING INFORMATION

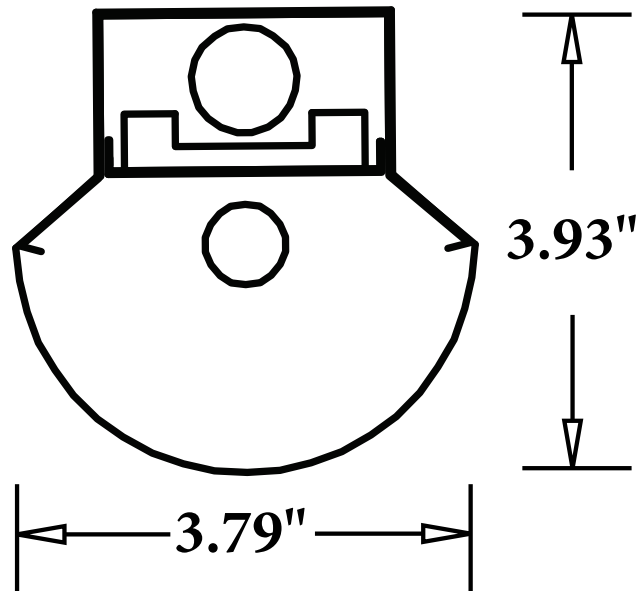
Example: LBSL4-40-HL-M

For custom lumen packages, include required lumens at the end of the part #

Example: LBSL4-40-SL-M-3000 would be 3000 lumens at an average of 140 lm/W.

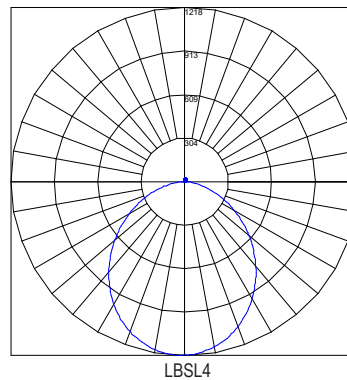
Series	CCT	Output Level	Voltage	Color
LBSL4 4'	30 3000K	SL Standard Low	M 120/277V	W White
LBSL8 8'	35 3500K	ML Medium Low		SP Custom
	40 4000K	HL High Low		
	50 5000K	SM Standard Medium		
		MM Medium Medium		
		HM High Medium		
		SH Standard High		
		MH Medium High		
		HH High High		

Driver Options	Options
BLANK 0-10V Dimming Driver (included standard)	12EBL 1200 Lumen Emergency Ballast
CD1 0-10V 1% to Off Dimming Driver	OC4EX Occupancy Sensor
CD5 0-10V 5% to Off Dimming Driver	VDO Lutron Vive Integral RF Controller with daylight and occupancy sensing.
EDN Electronic Driver Non-Dimming	FCJSO Lutron Vive attached RF fixture controller 0-10V/277V
FLDD Fifth Light Dali, Dimming	AC10 10' Aircraft Cable
LDE1 Lutron Hi-lume 1% EcoSystem LED driver with Soft-on, Fade-to-Black dimming technology	AC20 20' Aircraft Cable
LDE5 Lutron LDE5 5-Series Ecosystem 5% Dimming	

FIXTURE DIMENSIONS

ENERGY AND PERFORMANCE DATA

Input Voltage	120/277VAC
System Input Power per ft	33 - 179 Watts'
Delivered Lumen Output per ft	4650 - 25000 Lumens
Standard Dimming Control	0-10V
CCT	3000, 3500, 4000, 5000 Kelvin
CRI	82 (minimum)
Life Time Rating	100,000 hrs @ L70
Input Frequency	50/60 Hz
Power Factor	>0.9
Operating Temp	30° to 50° C

*Actual wattage may differ by ±5% while operating 120/277V ±10%.

POLAR CURVE:


Occupancy Sensor



Output	Delivered Lumens	System Wattage	L70 @20C (hrs)
SL	4650	33	>100K
ML	7974	57	>100K
HL	11150	80	>100K
SM	12040	86	>100K
MM	13016	93	>100K
HM	15728	112	>100K
SH	16500	118	>100K
MH	20000	143	>100K
HH	25000	179	>100K

Approximate Color Temperature Multiplier	
5000K	1.03
4000K	1
3500K	0.97
3000K	0.94
2700K	0.91

* Delivered Lumens shown were tested with 4000K LEDs and ASR (asymmetric/symmetric grid) lens.