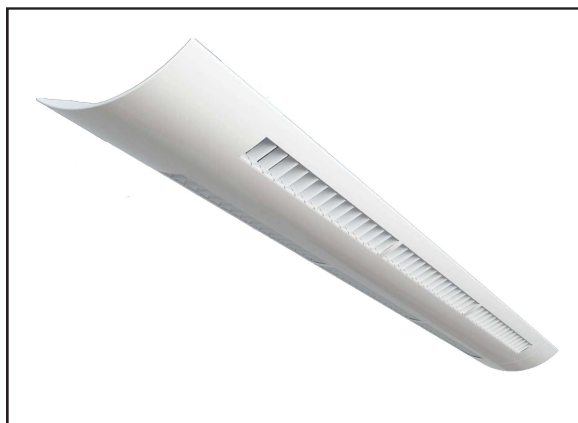


## LAZPDI

Direct/Indirect LED Louvered Pendant Mount



STANDARD

OPTIONAL



### PRODUCT SPECIFICATIONS

#### DESCRIPTION

The LAZPDI Series is an LED Pendant Mount Direct and Indirect Linear fixture available for stand-alone or continuous run applications.

#### APPLICATIONS

The LAZPDI Series were designed to be high quality and energy efficient LED architectural suspended for use in corridors, offices, government facilities, schools, and public areas.

#### CONSTRUCTION

The fixture is constructed of a heavy gauge cold rolled steel body. Units are shipped with die cast aluminum joiners installed for structural continuity and for attaching other units for continual runs or end caps. Architectural ends. There are two die cast aluminum designs available, "spade" and "bullnose" configurations. They are bolted to the die cast joiners for a complete architectural look.

#### LOUVERS

Side louvers are available in white and semi-specular. Louvers allow LED output to go through at a 45 degree angle, producing a beautiful light output.

#### ELECTRICAL SYSTEM

Electronic drivers are available for 120/277V applications, 0-10V dimming included standard. Long-life LED system rated for >100K life hours (L70 @ 25°C). CRI >82. Complies with federal energy efficiency standards.

#### MOUNTING

Designed to mount on exact 4 foot and 8 foot centers. Joiners will accept stems, single cable and power cords as supplied by others.

#### LISTINGS

UL and cUL Listed. Damp location rated.

#### WARRANTY

5-Year Limited Warranty. Complete warranty and terms located at [www.aelnow.com/warranty](http://www.aelnow.com/warranty).

### ORDERING INFORMATION

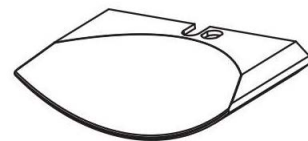
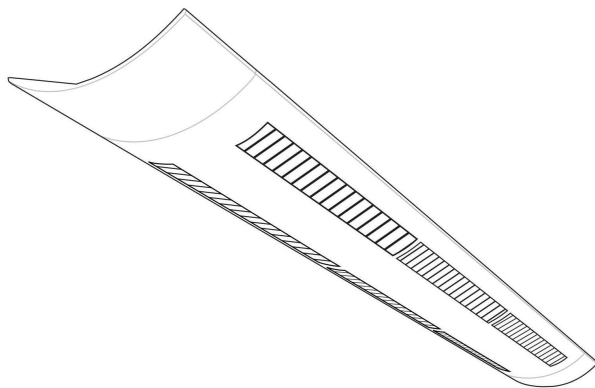
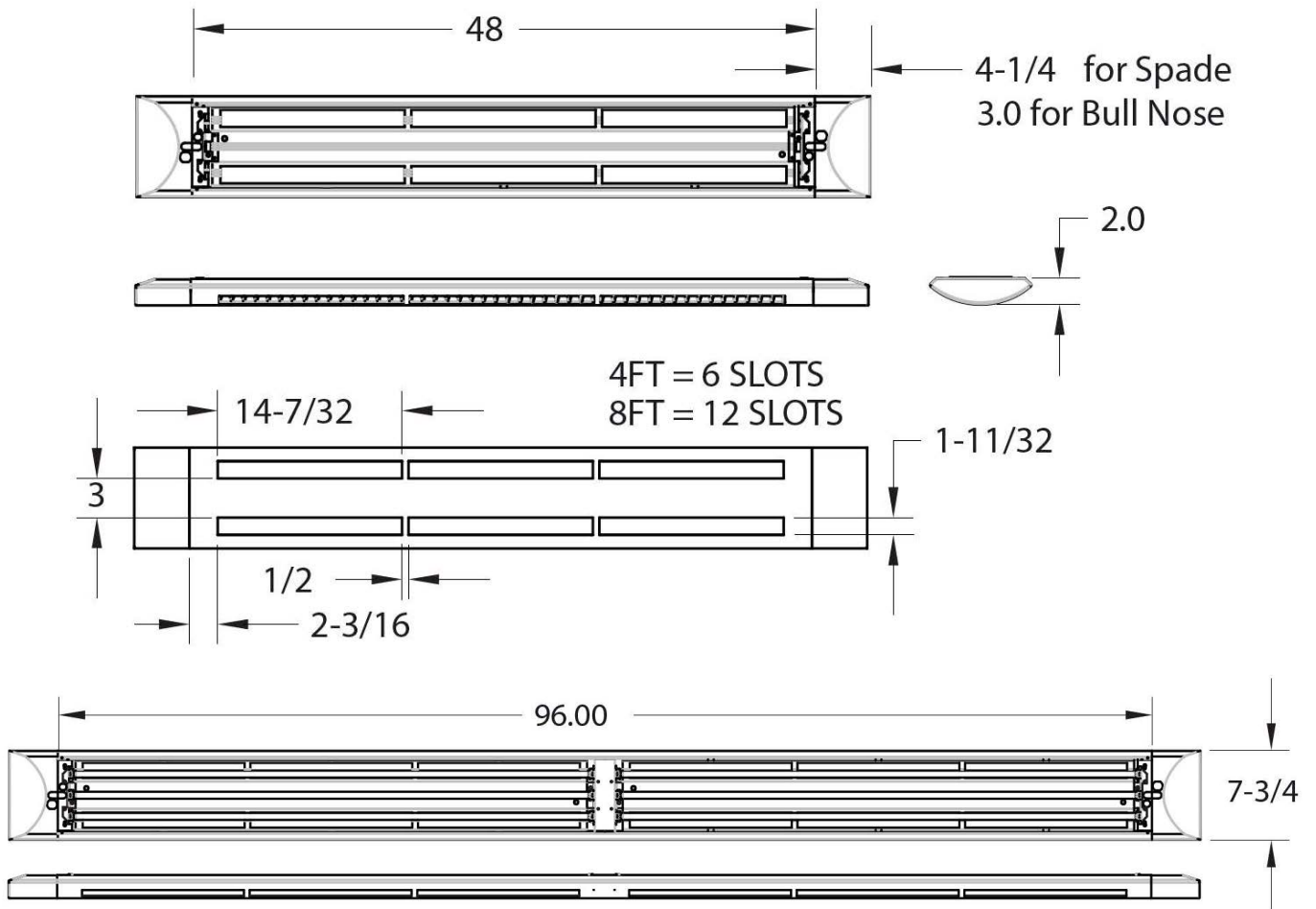
Example: LAZPDI-40-HM-20/80-W-M-8-ECS

SERIES	CCT	OUTPUT	UP/DOWN DISTRIBUTION*	LOUVERS	VOLTAGE	ROW LENGTH
LAZPDI	30	3000K	SL Standard Low	0/100 0% Up/100% Down	W White	M Multi-Volt (120/277VAC)
	35	3500K	ML Medium Low	10/90 10% Up/90% Down		
	40	4000K	HL High Low	20/80 20% Up/80% Down		
	50	5000K	SM Standard Medium	30/70 30% Up/70% Down		
			MM Medium Medium	40/60 40% Up/60% Down		
			HM High Medium	50/50 50% Up/50% Down		
			60/40 60% Up/40% Down			
			70/30 70% Up/30% Down			
			80/20 80% Up/20% Down			
			90/10 90% Up/10% Down			
100/0 100% Up/0% Down						
						4 4' 8 8' XX Specify Row Length (in Ft)

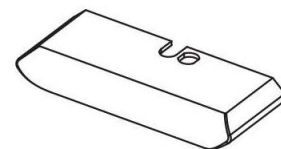
\*For Custom Up/Down Distributions, Replace Up/Down with Desired Distribution.

END CAP	DRIVER OPTIONS	OPTIONS	HARNES OPTIONS	HANGING OPTIONS
ECS Spade Nose	BLANK 0-10V Dimming Driver (included standard)	12EBL 1200 Lumen Emergency Ballast	WH34 3-Wire 4'	CP50 Cord Pendant (No Power Feed) 50'
ECB Bull Nose	CD1 0-10V 1% to Off Dimming Driver	VDO Lutron Vive Integral RF controller	WH44 4-Wire 4'	CP100 Cord Pendant (No Power Feed) 100'
	CD5 0-10V 5% to Off Dimming Driver	FCJ50 Lutron Vive attached RF fixture controller for 0-10V drivers.	WH54 5-Wire 4'	CPPF50 Cord Pendant (Power Feed Capable) 50'
	EDN Electronic Driver Non-Dimming	AC10 10' Aircraft Cable Set	WH38 3-Wire 8'	CPPF100 Cord Pendant (Power Feed Capable) 100'
	FLDD Fifth Light Dali, Dimming	OCC Occupancy Sensor	WH48 4-Wire 8'	RPXX Rigid Pendant (Power Feed Capable)
	LDE1 Lutron Hi-lume 1% EcoSystem LED driver with Soft-on, Fade-to-Black dimming technology		WH58 5-Wire 8'	Specify Pendant Length (XX)
	LDE5 Lutron LDE5 5-Series Ecosystem 5% Dimming			

**FIXTURE DIMENSIONS**



SPADE



BULL NOSE

**LED SYSTEM DATA**

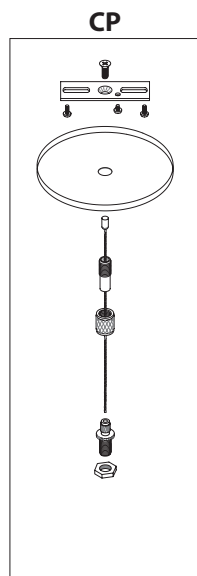
Output	Delivered Lumens	System Wattage	L70 (hrs)
SL	4650	33	>100K
ML	7974	57	>100K
HL	11150	80	>100K
SM	12040	86	>100K
MM	13016	93	>100K
HM	15728	112	>100K

Approximate Color Temperature Multiplier	
5000K	1.03
4000K	1
3500K	0.97
3000K	0.94
2700K	0.91

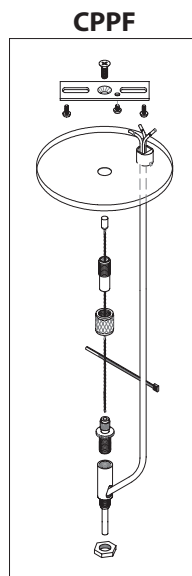
\* Delivered Lumens shown were tested with 4000K LEDs

**Energy and Performance Data**

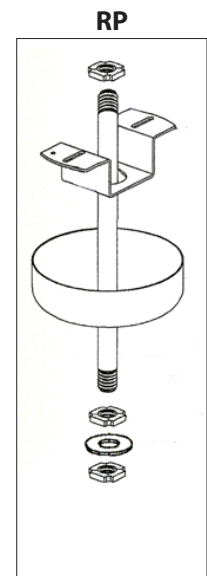
Input Voltage	120/277 VAC
Standard Dimming Control	0-10V
CCT	3000, 3500, 4000, 5000 Kelvin
CRI	82 (minimum)
Lifetime Rating	>100,000 Hours at L70
Input Frequency	50/60Hz
Power Factor	>0.9
Operating Temp	Low Ambient -20°C/ High Ambient 50°C

**HANGING OPTIONS**


**Cord Pendant  
(No Power Feed)**



**Cord Pendant  
(Power Feed Capable)**



**Rigid Pendant  
(Power Feed Capable)**