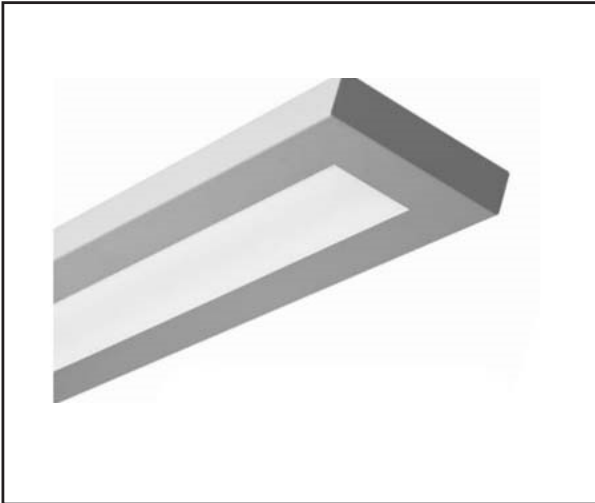


## LASQW

Wall Mount Direct/Indirect



### PRODUCT SPECIFICATIONS

#### DESCRIPTION

The LASQW Series is an LED Wall Mount Linear fixture available available for stand-alone or continuous run applications.

#### APPLICATIONS

The LASQW Series were designed to be high quality, energy efficient LED fixtures for use in corridors, offices, government facilities, schools, and public areas.

#### CONSTRUCTION

Our LASQW Is constructed of a heavy gauge cold rolled steel post painted body.

#### OPTICAL SYSTEM

White polyester polymer finish with a high reflectivity. A computer designed optical system that maximizes the output of the LEDs producing very wide distribution for even brightness.

#### ELECTRICAL SYSTEM

Electronic drivers are available for 120/277V applications. Long-life LED system rated for >100K life hours (L70 @ 50°C). Metal gear tray for internal LED driver. Complies with Federal energy efficiency standards. 0-10v dimming Standard.

#### MOUNTING

Wall mounting.

#### LISTINGS

UL and cUL Listed. Damp location rated. Made in the USA, BAA Compliant.

#### WARRANTY

5-Year Limited Warranty. Complete warranty and terms located at [www.aelnow.com/warranty](http://www.aelnow.com/warranty)

STANDARD | OPTIONAL



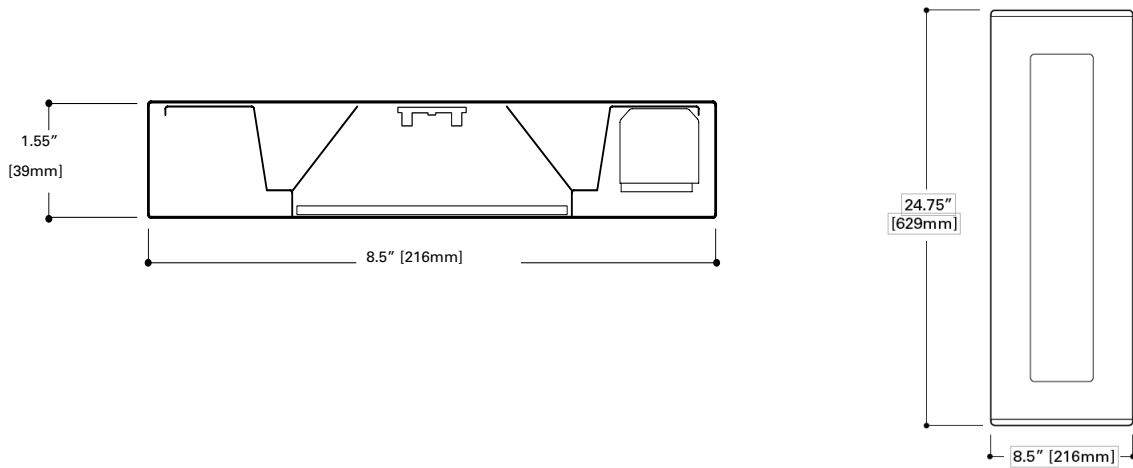
### ORDERING INFORMATION

Example: LASQW-40-S-S-M-W-4

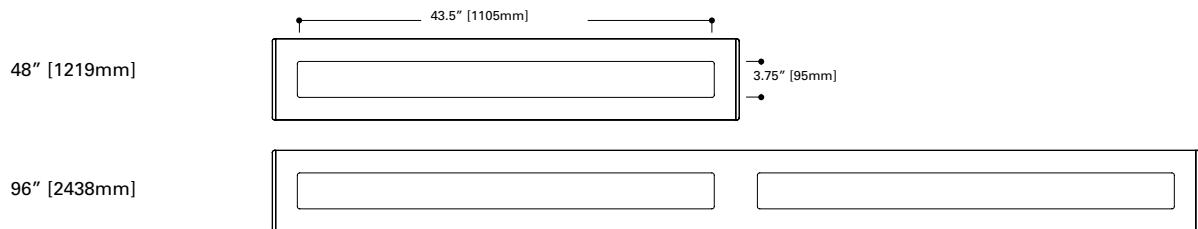
SERIES	CCT DOWN	OUTPUT DOWN	CCT UP	OUTPUT UP	LENS	VOLTAGE	FINISH	ROW LENGTH
LASQW	30 3000K	S Standard	30 3000K	S Standard	S Satin	M 120/277 (Multi-Volt)	W White	2 2 Feet
	35 3500K	HS High Standard	35 3500K	HS High Standard	A12 .100 #12 Acrylic		SP Special	3 3 Feet
	40 4000K	M Medium	40 4000K	M Medium				4 4 Feet
	50 5000K	HM High Medium	50 5000K	HM High Medium				5 5 Feet
								6 6 Feet
							7 7 Feet	
							8 8 Feet	
							XX XX Feet	

DRIVER OPTIONS		OPTIONS		WIRING HARNESS	
BLANK	0-10V Dimming Driver (included standard)	14EBL	1400 Lumen Emergency Ballast	WH34	3-Wire 4 Feet
CD1	0-10V 1% to Off Dimming Driver	FW	Flex Whip Cable 6'	WH44	4-Wire 4 Feet
CD5	0-10V 5% to Off Dimming Driver			WH54	5-Wire 4 Feet
EDN	Electronic Driver Non-Dimming			WH38	3-Wire 8 Feet
FLDD	Fifth Light Dali, Dimming			WH48	4-Wire 8 Feet
LDE1	Lutron Hi-lume 1% EcoSystem LED driver with Soft-on, Fade-to-Black dimming technology			WH58	5-Wire 8 Feet

## FIXTURE DIMENSIONS



### Fixture Lengths



## ENERGY AND PERFORMANCE DATA

Input Voltage	120/277 VAC
Standard Dimming Control	0-10V
CCT	3000, 3500, 4000, 5000 Kelvin
CRI	82 (minimum)
Life Time Rating	100,000 hrs at L70
Input Frequency	50/60Hz
Power Factor	>0.9
Operating Temp	Low Ambient -20°C/ High Ambient 50°C

## LED SYSTEM DATA

Output	Delivered Lumens Per Foot	System Wattage Per Foot	CRI	LPW
Standard	506 Lm/Ft	3.3	82	148
High Standard	709 Lm/Ft	5.1	82	139
Medium	965 Lm/Ft	6.9	82	140
High Medium	1,468 Lm/Ft	10.3	82	143