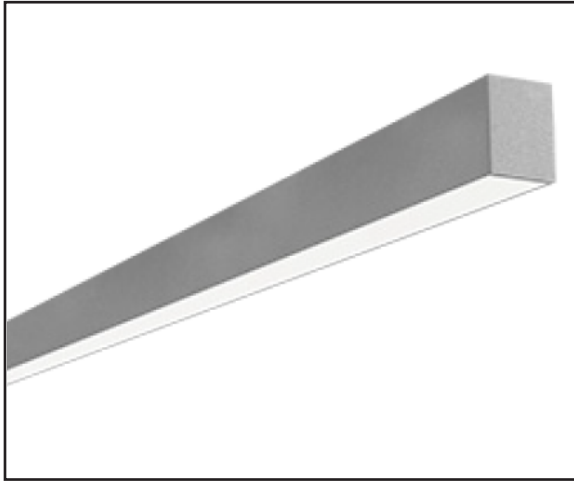


LAPR

4" Designer Recessed Perimeter LED Luminaire



STANDARD

OPTIONAL



PRODUCT SPECIFICATIONS

DESCRIPTION

The LAPR Series is an architecturally designed recessed perimeter LED luminaire. It is available for continuous run mounting that can be ordered to accommodate nearly any room design.

APPLICATIONS

The LAPR Series is designed to be a high quality, energy efficient LED perimeter fixture for use in hotel lobbies, corridors, common areas, museums, government facilities, schools, and professional business environments.

CONSTRUCTION

The fixture is constructed of a 4" wide heavy gauge extruded aluminum body. This fixture is available in any run length within 1' increments, starting at 2'.

OPTICAL SYSTEM

The fixture is provided with a precision formed, specular aluminum Wall Wash reflector designed to direct the light into usable vertical illumination. The wide asymmetric reflector provides exceptional downward throw. The narrow aperture provides unobtrusive aesthetics.

ELECTRICAL SYSTEM

Electronic drivers are available for 120/277V applications. LEDs are available in 3000K, 3500K, 4000K, and 5000K. CRI >82. 90 CRI available. Long-life LED system rated for >100K life hours (L70 @ 45°C). Complies with federal energy efficiency standards.

MOUNTING

Mounting options for recessed grid, flanged, and flangeless trim.

LISTINGS

UL and cUL Listed. Independently tested to IESNA LM-79 and LM-80 specifications. Manufactured in the USA, BAA compliant.

WARRANTY

5-Year Limited Warranty. Complete warranty and terms located at www.ael.com/warranty.

ORDERING INFORMATION

Example: LAPRL30SSMSLFW4

SERIES	MOUNTING	COLOR TEMP	OUTPUT	LENS	VOLTAGE	DISTRIBUTION
LAPR	L Lay-in Grid	30 3000K	S Standard	S Satin Lens	M 120/277 Multi-Volt	SL Satin Lens
	F Flanged	35 3500K	HS High Standard			WG Wall Grazer
	FT Flangeless Trim	40 4000K	M Medium			WW Wall Wash
		50 5000K	HM High Medium			

LENS POSITION	FINISH	ROW LENGTH	DRIVER	OPTIONS
F Flush	W White	2 2 Feet	Blank 0-10V 10% Dimming Driver (Standard)	EC Emergency Circuit
		3 3 Feet	CD1 0-10V 1% Dimming Driver	12EBL 1200 Lumen Emergency Ballast
	SP Special	4 4 Feet	CD5 0-10V 5% Dimming Driver	L 90 Degree Ceiling*
		5 5 Feet	EDN Non-Dimming Electronic Driver	XXV XX Degree Ceiling*
		6 6 Feet	DALI DALI 1% Dimming Driver	90 90 CRI
		7 7 Feet	LDE1 Lutron Hi-Lume 1% EcoSystem LED Driver	IC Inside Corner*
		8 8 Feet		OC Outside Corner*
		XX XX Feet		OS Occupancy Sensor

See page 3 for lens options, corners, and distribution illustrations.

*Contact Factory For Degree/Corner Layout

LED SYSTEM DATA

Output	Delivered Lumens Per Foot	System Wattage Per Foot	CRI	LPW
Standard	506 Lm/Ft	3.3	82	148
High Standard	709 Lm/Ft	5.1	82	139
Medium	965 Lm/Ft	6.9	82	140
High Medium	1,468 Lm/Ft	10.3	82	143

ENERGY AND PERFORMANCE DATA

Input Voltage	120/277 VAC
Standard Dimming Control	0-10V
CCT	3000, 3500, 4000, 5000 Kelvin
CRI	82 (minimum)
Life Time Rating	>100,000 hrs at L70
Input Frequency	50/60Hz
Power Factor	>0.9
Operating Temp	Low Ambient -20°C/ High Ambient 50°C

Additional Lumen options available add desired lumens to end of part #
 e.g. LAPRW43500

Quick reference Output Guide Standard

Length	Lumens	Wattage
2 Foot	1012	6.6
3 Foot	1518	9.9
4 Foot	2024	13.2
6 Foot	3036	19.8
8 Foot	4048	26.4

Quick reference Output Guide High Standard

Length	Lumens	Wattage
2 Foot	1418	10.2
3 Foot	2127	15.3
4 Foot	2836	20.4
6 Foot	4254	30.6
8 Foot	5672	40.8

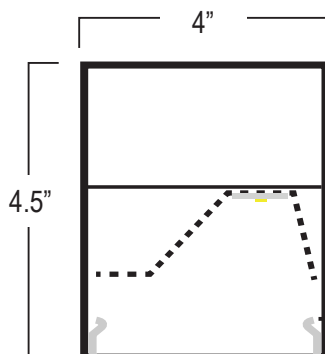
Quick reference Output Guide Medium

Length	Lumens	Wattage
2 Foot	1930	13.8
3 Foot	2895	20.7
4 Foot	3860	27.6
6 Foot	5790	41.4
8 Foot	7720	55.2

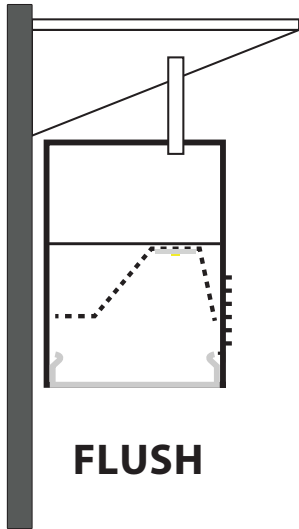
Quick reference Output Guide High Medium

Length	Lumens	Wattage
2 Foot	2936	20.6
3 Foot	4404	30.9
4 Foot	5872	41.2
6 Foot	8808	61.8
8 Foot	11744	82.4

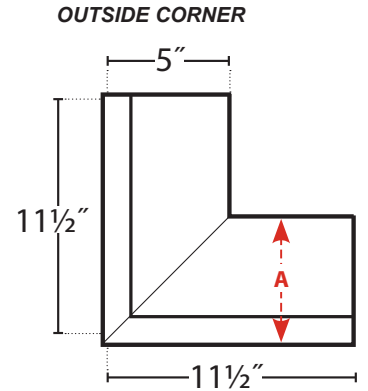
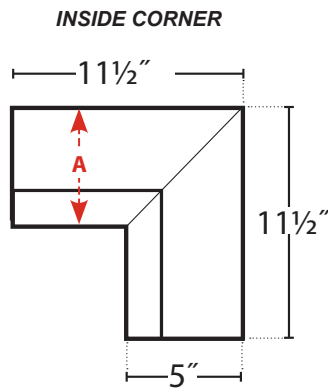
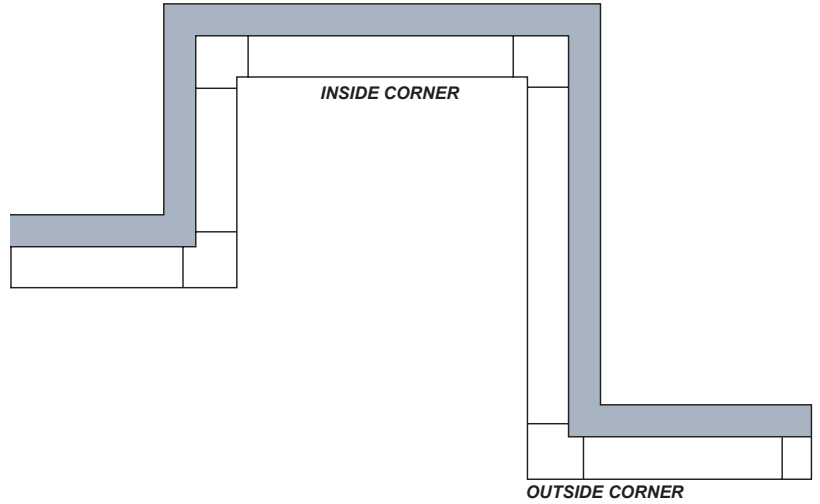
FIXTURE DIMENSIONS



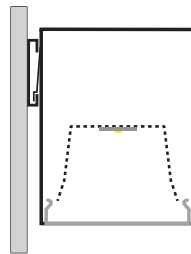
LENS POSITION



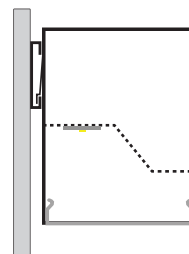
ORDERING DETAIL



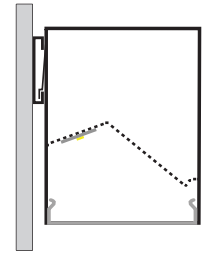
DISTRIBUTION



SL - Satin Lens



WG - Wall Grazer



WW - Wall Wash