

LALPPDI

Louvered and Perforated Direct and Indirect LED Pendant Mount



STANDARD | OPTIONAL



ORDERING INFORMATION

Example: LALPPDI35SWPSLM4
Options: ECS, ECS, 13EBL

PRODUCT SPECIFICATIONS

DESCRIPTION

The LALPPDI Series is an LED Pendant Mount Direct and Indirect Linear fixture available available for stand-alone or continuous run applications.

APPLICATIONS

The LALPPDI Series were designed to be high quality, energy efficient LED fixtures for use in corridors, offices, government facilities, schools, and public areas.

CONSTRUCTION

The fixture is constructed of a heavy gauge cold rolled steel body. Units are shipped with die cast aluminum joiners installed for structural continuity and for attaching other units for continual runs or end caps. Scoop end cap adds a sleek, finished, architectural look to the luminaire. They are bolted to the die cast joiners for a complete architectural look.

OPTICAL SYSTEM

Satin lens, or middle baffle with no lens options available. Uplight provides a distribution that produces a very wide distribution for even ceiling brightness with mounting from 12 to 18 inches from the ceiling.

ELECTRICAL SYSTEM

Electronic drivers are available for 120/277V applications, 0-10V dimming included standard. Long-life LED system rated for >100K life hours (L70 @ 45°C). Metal gear tray for internal LED driver. Complies with federal energy efficiency standards.

MOUNTING

Designed to mount on exact 4 foot and 8 foot centers. Joiners will accept stems, single cable and power cords as supplied by others.

LISTINGS

UL and cUL Listed. Damp location rated.

WARRANTY

5-Year Limited Warranty. Complete warranty and terms located at www.aelnow.com/warranty.

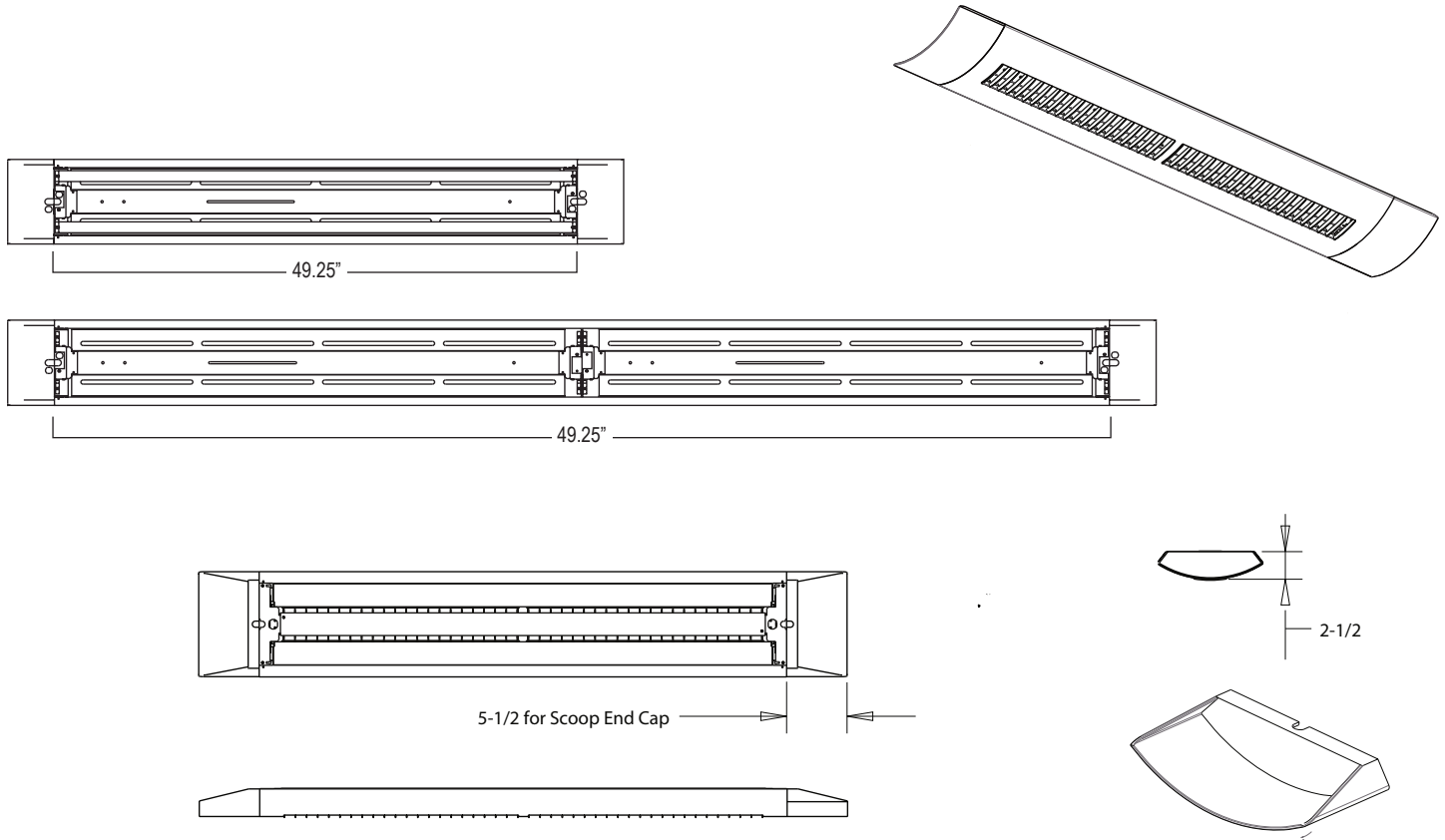
SERIES	CCT UP	OUTPUT UP	CCT DOWN	OUTPUT DOWN	BODY STYLE	LENS OPTION	VOLTAGE							
LALPPDI	30	3000K	S	Standard	30	3000K	S	Standard	WP	Wide Side Perforation	SL	No Baffle Satin Lens	M	Multi-Volt (120/277VAC)
	35	3500K	HS	High Standard	35	3500K	HS	High Standard	WOP	Without Side Perforation	B	Middle Baffle, No Lens		
	40	4000K	M	Medium	40	4000K	M	Medium						
	50	5000K	HM	High Medium	50	5000K	HM	High Medium						

ROW LENGTH	DRIVER OPTIONS	OPTIONS	HARNES OPTIONS	HANGING OPTIONS
4 4'	BLANK 0-10V Dimming Driver (included standard)	12EBL 1200 Lumen Emergency Ballast	WH34 3-Wire 4'	CP100 Cord Pendant (No Power Feed) 100'
8 8'	CD1 0-10V 1% to Off Dimming Driver	VDO Lutron Vive Integral RF controller with daylight and occupancy sensing	WH44 4-Wire 4'	CP120 Cord Pendant (No Power Feed) 120'
XX Specify Row Length (in Ft)	CD5 0-10V 5% to Off Dimming Driver	FCJ50 Lutron Vive attached RF fixture controller for 0-10V drivers.	WH54 5-Wire 4'	CPPF100 Cord Pendant (Power Feed Capable) 100'
	EDN Electronic Driver Non-Dimming		WH38 3-Wire 8'	CPPF120 Cord Pendant (Power Feed Capable) 120'
	DALI DALI Dimming Driver		WH48 4-Wire 8'	RPXX Rigid Pendant (Power Feed Capable) Specify Pendant Length (XX)
	LDE1 Lutron Hi-lume 1% EcoSystem LED driver with Soft-on, Fade-to-Black dimming technology		WH58 5-Wire 8'	
	LDE5 Lutron LDE5 5-Series Ecosystem 5% Dimming			

ENERGY AND PERFORMANCE DATA

Input Voltage	120/277 VAC
Standard Dimming Control	0-10V
CCT	3000, 3500, 4000, 5000 Kelvin
CRI	82 (minimum)
Life Time Rating	>100,000 hrs at L70
Input Frequency	50/60Hz
Power Factor	>0.9
Operating Temp	Low Ambient -20°C/ High Ambient 50°C

FIXTURE DIMENSIONS

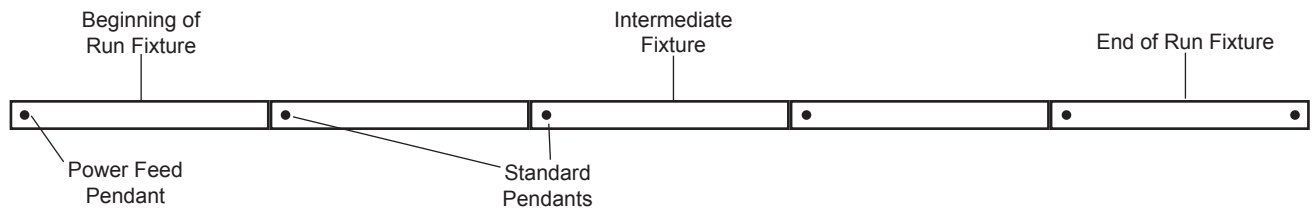


ROW CONFIGURATIONS

Advantage would like to double check your Bill of Material upon placement of your order if the number of rows and their individual row lengths are provided on the purchase order as follows:

- Row 1 - 8'
- Row 2 - 8'
- Row 3 - 24'
- Row 4 - 24'

Please provide any additional pertinent information such as additional power drops required mid-row.



Row Length	4'	8'	12'	16'	20'	24'	28'	32'	36'	40'	44'	48'
Fixture Length 4'	1		1		1		1		1		1	
Fixture Length 8'		1	1	2	2	3	3	4	4	5	5	6
Total Pendants Needed	2	2	3	3	4	4	5	5	6	6	7	7

LED SYSTEM DATA

Output	Delivered Lumens Per Foot	System Wattage Per Foot	CRI	LPW
Standard	506 Lm/Ft	3.3	82	148
High Standard	709 Lm/Ft	5.1	82	139
Medium	965 Lm/Ft	6.9	82	140
High Medium	1,468 Lm/Ft	10.3	82	143

Additional Lumen options available add desired lumens to end of part #
e.g. LALPPDI40MSMW43500

Quick reference Output Guide Standard		
Length	Lumens	Wattage
2 Foot	1012	6.6
3 Foot	1518	9.9
4 Foot	2024	13.2
6 Foot	3036	19.8
8 Foot	4048	26.4

Quick reference Output Guide High Standard		
Length	Lumens	Wattage
2 Foot	1418	10.2
3 Foot	2127	15.3
4 Foot	2836	20.4
6 Foot	4254	30.6
8 Foot	5672	40.8

Quick reference Output Guide Medium		
Length	Lumens	Wattage
2 Foot	1930	13.8
3 Foot	2895	20.7
4 Foot	3860	27.6
6 Foot	5790	41.4
8 Foot	7720	55.2

Quick reference Output Guide High Medium		
Length	Lumens	Wattage
2 Foot	2936	20.6
3 Foot	4404	30.9
4 Foot	5872	41.2
6 Foot	8808	61.8
8 Foot	11744	82.4

PENDANT ORDERING DETAIL

A standard mounting pendant is needed for each fixture, plus one pendant with power feed capability per continuous row or circuit. Contact your Advantage representative for additional information.

Pendant	Length
RP Rigid Pendant (Power Feed Capable)	XX Specify Pendant Length (Replace "XX" with Row Length. Must Be Ordered in 1' Increments)
CP Cord Pendant (No Power Feed)	
CPPF Cord Pendant (Power Feed Capable)	

