

LACL LED Adjustable Cove Light



PROJECT _____

CATALOG # _____

TYPE _____

Highlights

- 90° adjustable range
- High efficacy and lifespan LEDs
- Adjustable post installation

Description

The LACL is an adjustable cove light featuring the ability to adjust beam angle post installation. High efficacy LEDs provide energy savings and long-lifespan.

Construction

Constructed of a pre-painted white steel housing and end caps. Available in 2', 3', and 4' lengths. Fixtures can be aligned in continuous rows, or with a flexible whip cable to wire fixtures through corners.

Adjustability

90° adjustable range allows for fixture beam angle to be adjusted post installation to provide a "one size fits all" solution for coves.

Mounting

Installs in cove (provided by others). Adjustment to be made after installation, angle will vary by required application.

LEDs

High Output LEDs are available in 2700K, 3000K, 3500K, 4000K, and 5000K color temperatures. Integral LEDs are rated for at least 100K life hours (L70).

Optics

Satin soft-glow flat lens provides optimal LED diffusion and light distribution, while providing a glare-free output.

Driver

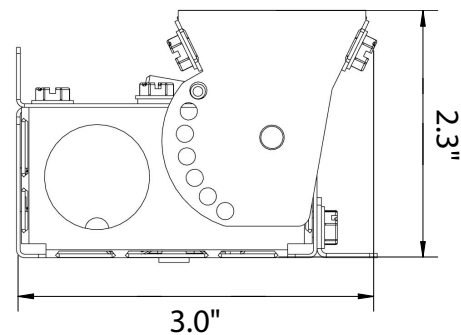
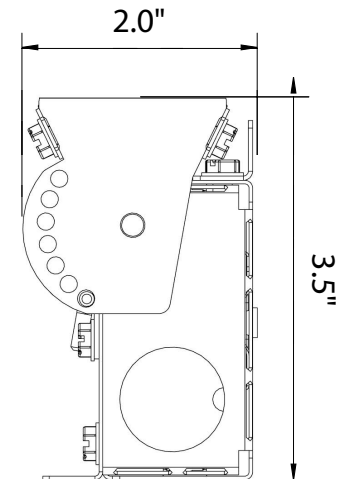
0-10V dimming driver included standard. Driver options available for 1% dimming, Lutron EcoSystem, and DALI.

Options

Various options are available. If additional or custom options are needed, consult factory.

Listings

Independently tested to IESNA LM-79 and LM-80 specifications. UL and cUL Listed. Damp location rated. Made in Fort Worth, TX, BAA Compliant.



LACL LED Adjustable Cove Light

ORDERING INFORMATION



Example: LACL-CC-40-10L-M-PW-4

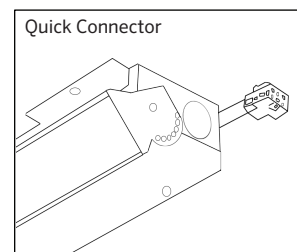
With options Example: LACL-CC-40-10L-M-PW-4-LDE1-12EBL

Fixture	Mounting	CCT	Output	Voltage	Finish	Length
LACL	■ CC <i>Concealed Cove</i>	■ 27 <i>2700K</i>	■ 5L <i>500 Lm/Ft</i>	■ M <i>Multi-Volt (120-277V)</i>	■ PW <i>Pre-Painted White</i>	■ 1 <i>1ft</i>
		■ 30 <i>3000K</i>	■ 7L <i>700 Lm/Ft</i>		■ MW <i>Matte White</i>	■ 2 <i>2 ft</i>
		■ 35 <i>3500K</i>	■ 10L <i>1000 Lm/Ft</i>			■ 3 <i>3 ft</i>
		■ 40 <i>4000K</i>	■ 14L <i>1400 Lm/Ft</i>			■ 4 <i>4 ft</i>
		■ 50 <i>5000K</i>	■ XXXXL <i>XXXX Lm/Ft</i>			■ XX <i>XX ft</i>

For longer than 4' run lengths, multiple fixtures to reach desired length will be provided
eg: LACL-CC-40-10L-M-W-8 will consist of two (2) 4FT fixtures.

Options: Add to end of part number

Driver Options	Options	Continuous Run Options
■ (BLANK) <i>0-10V 10% dimming driver</i>	■ 12EBL <i>1200 Lumen Emergency Ballast</i>	■ QC <i>Quick Connector</i>
■ CD1 <i>0-10V 1% dimming driver</i>	■ EC <i>Emergency Circuit</i>	
■ CDS <i>0-10V 5% dimming driver</i>	■ 90 <i>90 CRI</i>	
■ EDN <i>Non-dimming electronic driver</i>		
■ DALI <i>DALI 1% dimming driver</i>		
■ LDE1 <i>Lutron Hi-Lume 1% EcoSystem LED Driver</i>		
■ LDE5 <i>Lutron 5-Series 5% EcoSystem LED Driver</i>		



LED Information

Output	5L	7L	10L	14L
Lumens/Ft*	500	700	1000	1400
System Wattage/Ft	3.125W	4.375W	6.25W	8.75W
Efficacy (Lm/W)	160	160	160	160
CRI	>82	>82	>82	>82
Dimming	0-10V	0-10V	0-10V	0-10V
Color Consistency	>3 SDCM	>3 SDCM	>3 SDCM	>3 SDCM
Rated Life (L70)	>100,000 hrs	>100,000 hrs	>100,000 hrs	>100,000 hrs

* Lumen output was calculated with 4000K LEDs.

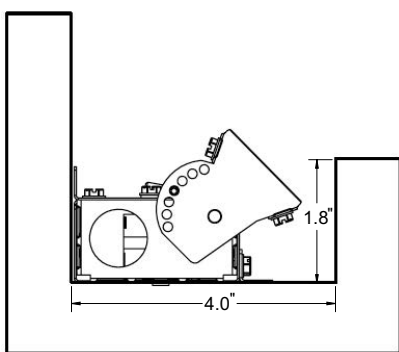
Lumen Adjustment Factors 80 CRI

CCT	2700K	3000K	3500K	4000K	5000K
Adjustment	93.5%	95.2%	96.8%	100.0%	103.0%

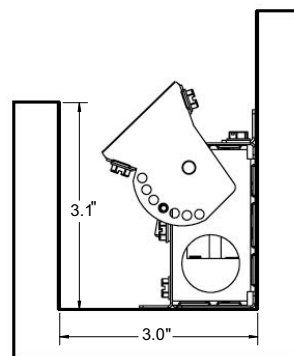
Lumen Adjustment Factors 90 CRI

CCT	2700K	3000K	3500K	4000K	5000K
Adjustment	77.5%	79.2%	80.8%	85.1%	87.3%

Typical Cove Mounting



Horizontal Mounting



Vertical Mounting