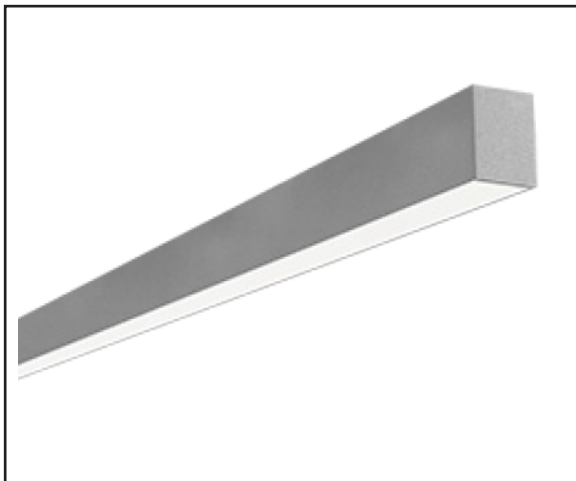


Catalog Number
Project
Type

DL6RS

6" Recessed Direct Steel Designer Fluorescent



PRODUCT SPECIFICATIONS

DESCRIPTION:

The DL6RS is an architecturally designed Recessed Steel Fluorescent Luminaire that is classically styled and fit for any interior. It is available for continuous run mounting.

APPLICATIONS:

The DL6RS Fluorescent Luminaires were designed to be high quality, energy efficient Linear fixtures for use in commercial applications, offices, hotel lobbies, museums, government facilities, schools, and public areas.

CONSTRUCTION:

The fixture is constructed of a 6" wide heavy gauge steel body. The DL6RS is available in any run length withing 1' increments. Heavy duty housing crimped along sides for extra rigidity and straight alignment.

OPTICAL SYSTEM:

This fixture is provided with a precision formed, high-efficiency reflector designed to direct the light downward and outward into usable horizontal illumination. The symmetrical reflector provides exceptional downward throw.

ELECTRICAL SYSTEM:

Standard 120-277V electronic instant start ballasts for T8 lamping, ≤10% THD.
Standard 120-277V electronic program start ballasts for T5 lamping, ≤10% THD.
50-60 Hz operation. Sound rated A. Thermally protected. Automatic resetting Class P. High Power Factor. Non PCB.

MOUNTING:

This fixture is designed to be recess mounted. Continuous run available.

LISTINGS:

Independently tested to IESNA LM-79 and LM-80 specifications. UL and cUL Listed.

WARRANTY:

5-Year Limited Warranty. Complete warranty and terms located at <http://www.AELnow.com/warranty>

ORDERING INFORMATION

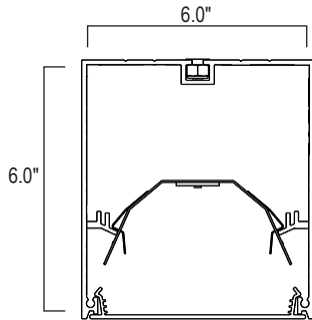
Example: DL6232SMW4

Options: EBPN, GT3, EM7

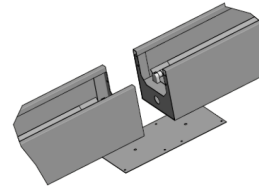
SERIES	# OF LAMPS	MOUNTING	LAMP WATTAGE	LENS	VOLTAGE
DL6RS Single	1 1 Lamp 2 2 Lamp	L Lay-In Recessed F Flanged FT Trimless Flange	14 14W T8 17 17W T8 28T8 28W T8 28T5 28W T5 32 32W T8 54 54W T5 High Output	A12 .100 #12 Acrylic S Satin	M 120/277 Multi-Volt

FINISH	ROW LENGTH (IN FEET)	BALLAST OPTIONS	GRID OPTIONS	OPTIONS	WIRING HARNESS
W White SP Special	2 2 Feet 3 3 Feet 4 4 Feet 5 5 Feet 6 6 Feet 7 7 Feet 8 8 Feet XX Length in Ft	L LOW Instant Start H HIGH Instant Start EBPL Electronic Ballast Program Low EBPN Electronic Ballast Program Normal EBPH Electronic Ballast Program High *CD2LT8 Continuous Dimming 2L T8 *CD2LT5 Continuous Dimming 2L T5 *SD2LT8 Step Dimming 2L T8 *SD2LT5 Step Dimming 2L T5 *2 Lamp will operate 1 and 2 Lamps*	GT1 15/16 Flat T-Bar GT2 9/16 Flat T-Bar GT3 15/16 Flat T-Bar w/Tegular Tiles GT4 9/16 Flat T-Bar w/Tegular Tiles GT5 9/16 Slot Grid	EC Emergency Circuit EM5 EM7 EM14 EM14T5 FW Flex Whip Cable 45 45 Degree 90 90 Degree	WH34 3-Wire 4 Feet WH44 4-Wire 4 Feet WH54 5-Wire 4 Feet WH38 3-Wire 8 Feet WH48 4-Wire 8 Feet WH58 5-Wire 8 Feet

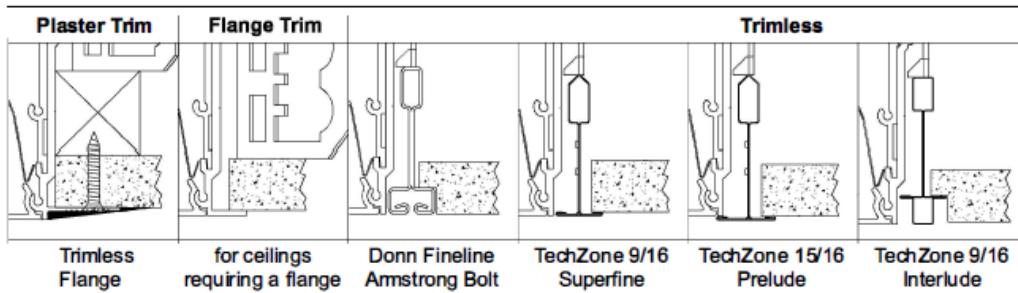
FIXTURE DIMENSIONS



For Continuous Run Mounts:



Ceiling/Trim Detail

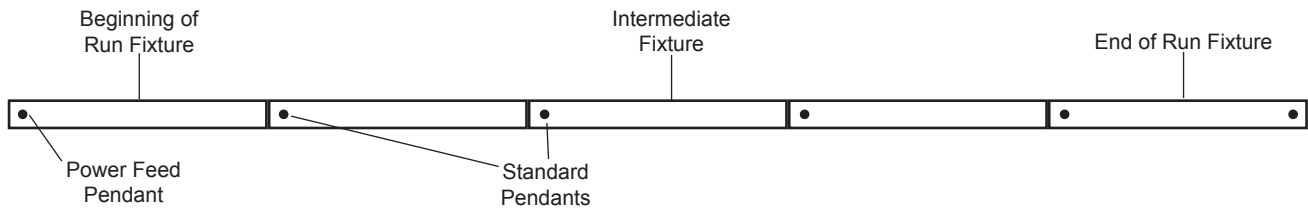


ROW CONFIGURATIONS

AEL would like to double check your Bill of Material upon placement of your order if the number of rows and their individual row lengths are provided on the purchase order as follows:

Row 1 - 8' Row 2 - 8' Row 3 - 24' Row 4 - 24'

Please provide any additional pertinent information such as additional power drops required mid-row.



	Row Length	2'	4'	6'	8'	10'	12'	14'	16'	18'	20'	22'	24'	26'	28'	30'	32'	34'	36'	38'	40'	42'	44'	46'	48'
Fixture Length	2'	1		1		1		1		1		1		1		1		1		1		1		1	
	4'		1	1		1	1			1	1			1	1			1	1			1	1		1
	8'				1	1	1	1	2	2	2	2	3	3	3	3	4	4	4	4	5	5	5	5	6
Total Pendants Needed		2	2	3	2	3	3	4	3	4	4	5	4	5	5	6	5	6	6	7	6	7	7	8	7