

# CSKY

## LED SKY FLAT PANEL (SKY)



**APPLICATIONS:** HOTELS, FACTORIES, OFFICES, RESIDENTIAL, BUILDINGS, SCHOOLS, HOSPITALS, MEETING ROOMS. A great way to bring some "outdoors" into the indoors.

- **cETLus certificate.**
- **3-in-1 dimming.**
- **IP40 driver, High CRI.**
- **Input voltage 100-277VAC.**
- **No UV or IR in the beam.**
- **Easy to install and operate.**
- **Energy saving, long lifespan.**
- **Instant start, NO flickering, NO humming.**
- **Green and eco-friendly without mercury.**
- **Set of 4 continuous image panels**

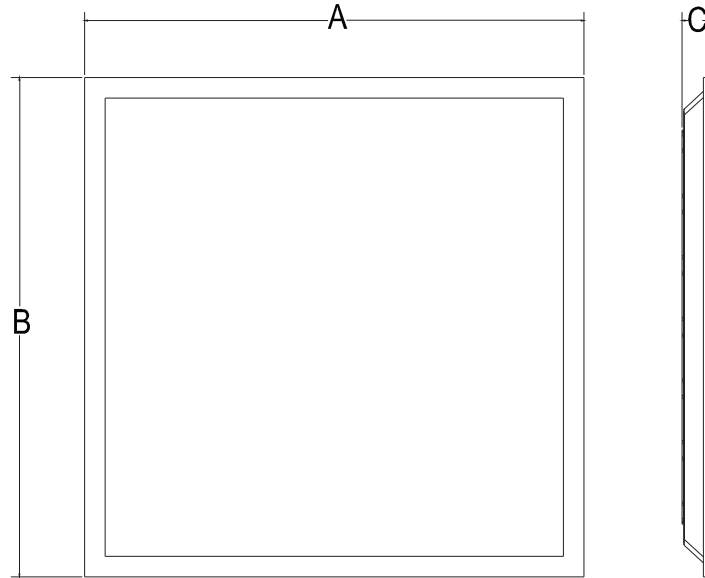


**ORDERING INFORMATION**

Example: CSKY-22-65-S-M-4X4

SERIES	SIZE	CCT	OUTPUT	VOLTAGE	TOTAL COVERAGE
CSKY	22 2x2	65 6500K	S Standard (4800lm)	M Multi-Volt (120-277VAC)	4X4 4'X4'

## FIXTURE DIMENSIONS

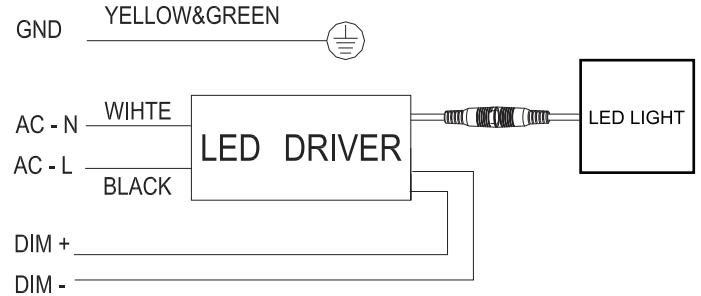
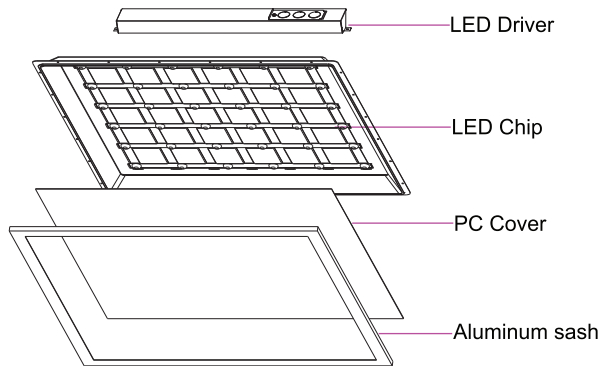


Maximum overall	A	B	C
2*2ft	603mm	603mm	35mm

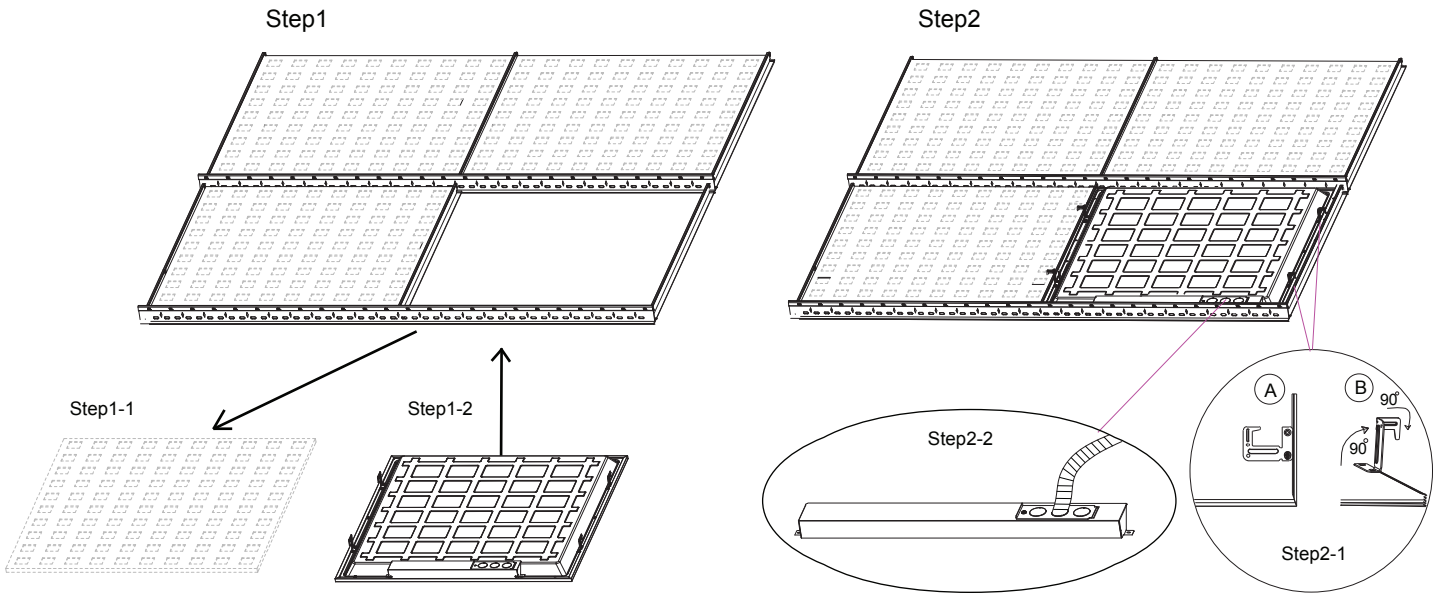
### ENERGY AND PERFORMANCE DATA

WATTAGE:	40W
CCT:	6500K
INPUT VOLTAGE:	100-277VAC, 50/60HZ
POWER FACTOR:	≥0.95
EFFICACY:	120 LM/W
CRI:	≥80
THD:	≤10%
DIMMABLE:	3-IN-1 DIMMING (0-10V;PWM;RX)
DIMENSIONS:	2X2FT, 603*603*35MM
BEAM ANGLE:	120°
OPERATING TEMPERATURE:	-20°C TO 45°C
WATERPROOF RATING:	IP40
CERTIFICATES:	CETLUS
WARRANTY:	5 YEARS

## WIRING DIAGRAMS



## INSTALLATION INSTRUCTION



**Step 1:** Make sure the power is off before installing. Remove the ceiling tile where you want to install the fixture. Then place the light fixture on the T-bar carefully and make sure it is correctly in place and secure.

**Step 2:** Lift the 4 buckles on the back of the panel up by 90° then bend the top part of the buckles 90° towards the direction where you can anchor the light fixture to the T-bar.

**Step 3:** Place the driver on top of the lighting fixture in the back. Connect the cable between the driver and the lighting fixture. Open the driver's junction box and connect the AC wire to the driver correctly (L=black & N=white).

**Warning:**

Ensure the power supply has been cut off before connecting the wire, and all wiring and installation of this product are required to be operated by professionals.