

Catalog Number
Project
Type

CS Series

Best Quality Commercial
Fluorescent Strip Luminaire



ORDERING INFORMATION

Example: CS232CSA4SM
Options: EBPL

PRODUCT SPECIFICATIONS

The CS Series is a Commercial Strip available in 2' through 8' body lengths. It was designed for surface or suspended mounting applications.. Outdoor facilities, high rise garages, building exteriors, educational facilities, recreational facilities, and other intensive use environments are the perfect types of environments for the fixture of this nature.

APPLICATIONS

The CS Series of Commercial Strips were designed to be high quality, energy efficient fluorescent fixtures for use in commercial applications, offices, government facilities, schools, public areas, and industrial lighting applications.

CONSTRUCTION

The fixture is constructed of a heavy gauge cold rolled steel body.

OPTICAL SYSTEM

White polyester polymer finish with a high reflectivity. Multiple lamp configurations. Painted with 93% high reflective finish for maximum light output.

ELECTRICAL SYSTEM

Standard 120-277V electronic instant start ballasts for T8 lamping, ≤10% THD. Standard 120-277V electronic program start ballasts for T5 lamping, ≤10%THD. 50-60 Hz operation. Sound rated A. Thermally protected. Automatic resetting Class P. High Power Factor. Non PCB.

ACI BH-B;

Surface or pendant mount, individually or in continuous rows. Sufficient knockouts are provided. Double KO access on 4 ft and longer to facilitate wiring of units for multiple ballast configurations.

@GH-B; G

UL and cUL Listed. Damp location rated.

K 5 F F 5 BHM

1-Year Limited Warranty. Complete warranty and terms located at www.aelnow.com/warranty.

SERIES	LAMPS PER SECTION	WATTAGE	REFLECTOR OPTIONS	UPLIGHT OPTIONS	VOLTAGE
CS Single	1 1 Lamp	14 14W T5	CSS2 SYMMETRICAL REFLECTOR 2'	S Solid	M 120/277
CST Tandem	2 2 Lamps	17 17W T8	CSS3 SYMMETRICAL REFLECTOR 3'	U10 10% Uplight	Multi-Volt
		25 25W T8	CSS4 SYMMETRICAL REFLECTOR 4'	U20 20% Uplight	
		28T5 28W T5	CSRS2 SYMMETRICAL REFLECTOR SPECULAR 2'		
		28T8 28W T8	CSRS3 SYMMETRICAL REFLECTOR SPECULAR 3'		
		32 32W T8	CSRS4 SYMMETRICAL REFLECTOR SPECULAR 4'		
		54 54W T5	CSA2 ASYMMETRICAL REFLECTOR 2'		
			CSA3 ASYMMETRICAL REFLECTOR 3'		
			CSA4 ASYMMETRICAL REFLECTOR 4'		
			CSAS2 ASYMMETRICAL REFLECTOR SPECULAR 2'		
			CSAS3 ASYMMETRICAL REFLECTOR SPECULAR 3'		
			CSAS4 ASYMMETRICAL REFLECTOR SPECULAR 4'		

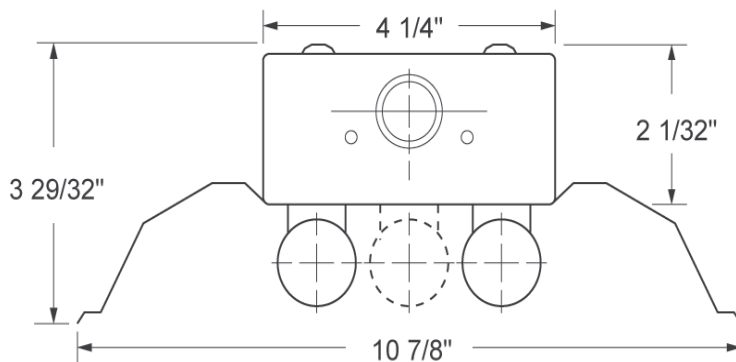
BALLAST OPTIONS	EMERGENCY OPTIONS	HANGING OPTIONS	WIRE GUARD OPTIONS
BLANK NORMAL Instant Start L LOW Instant Start H HIGH Instant Start EBPL Electronic Ballast Program Low EBPN Electronic Ballast Program Normal EBPH Electronic Ballast Program High *CD2LT8 Continuous Dimming 2L T8 *CD2LT5 Continuous Dimming 2L T5 **CD4LT8 Continuous Dimming 4L T8 *SD2LT8 Step Dimming 2L T8 *SD2LT5 Step Dimming 2L T5 **SD4LT8 Step Dimming 4L T8 *2 Lamp will operate 1 and 2 Lamps **4 Lamp will operate 3 and 4 Lamps <i>Please Note: When ordering dimming options you must identify 120v or 277v</i>	BLANK none EM5 500 Lumens EM7 700 Lumens EM14 1400 Lumens EM14T5 1400 Lumen T5	BLANK none AC10 Aircraft Cable 10' AC15 Aircraft Cable 15' AC20 Aircraft Cable 20' JC10 Jack Chain 10' 3pc w/s hooks	CSWG2 Wire Guard 2' CSWG3 Wire Guard 3' CSWG4 Wire Guard 4'

T (817) 468-3591

E info@aelnow.com

www.aelnow.com

FIXTURE DIMENSIONS



FIXTURE LENGTHS

