

CLT

Top Access LED Clean Room



STANDARD



OPTIONAL



DESCRIPTION

The CLT is a top-access LED Clean Room luminaire crafted to be one of the highest quality clean room fixtures on the market. Created for use in Cleanrooms, Laboratories, Commercial Kitchens, Food Processing Facilities, Hospitals, Manufacturing, and areas where an ISO4 rated clean room luminaire is needed. The CLT is completely customizable with your choice of housing, doorframe, and lensing materials. Utilizing the latest in LED technology, the CLT provides an extremely long lifespan, and some of the highest efficacy LEDs on the market today.

DOORFRAME

Cold Roll Steel, Stainless Steel, or Aluminum options. White TGIC polyester powder coat standard, with optional Anti-Microbial Paint. Door-frame secured to housing with stainless steel aircraft cables and captive flush mounted Phillips head stainless steel fasteners. Closed-cell gasket completely seals the doorframe and the housing.

ELECTRICAL SYSTEM

Electronic 1% dimming driver standard. Various driver options available.

OPTICAL SYSTEM

A variety of lensing options are available to fit the needs of any application.

LISTINGS

Approved to CSA and UL standards.
 ISO4 Rated.
 UL listed.
 NSF Listed.
 Food Safe
 IP65 ratings

MOUNTING

Recessed Grid or Flanged mounting options available. Additional custom mounting options available, consult factory.

LENS

Various lensing options available. Additional lensing options available, consult factory. Lenses inverted to smooth side out.

HOUSING

Housing options available in cold roll steel, stainless steel, and aluminum variations. Seam-welded construction. All doors attached to the housing with two stainless steel aircraft cables, and are completely sealed with closed cell gaskets. Stainless steel Phillips head screws painted to match door finish to secure door frame to housing. White TGIC polyester powder coat standard. Anti-microbial paint optional.

LED

80 CRI or 90 CRI LEDs available in 2700K, 3000K, 3500K, 4000K and 5000K. Life is 100,000 hours at 70% lumen maintenance. LM79, LM80 and TM21 compliant.

WARRANTY

5 - Year Limited Warranty. Complete warranty and terms located at: www.aelnow.com/warranty

DOORFRAME GASKET

One-piece closed cell gasket seals doorframe to housing.

Output	Delivered Lumens*	System Wattage	L70 @20C (hrs)
SL	4650	33	>100K
ML	7974	57	>100K
HL	11150	80	>100K
SM	12040	86	>100K
MM	13016	93	>100K
HM	15728	112	>100K
SH	16500	118	>100K
MH	20000	143	>100K
HH	25000	179	>100K

* Delivered Lumens shown were tested with 4000K LEDs

Approximate Color Temperature Multiplier	
5000K	1.03
4000K	1
3500K	0.97
3000K	0.94
2700K	0.91

ORDERING INFORMATION

Example: CLT4-40-G-ML-B18-B18-PA125-M

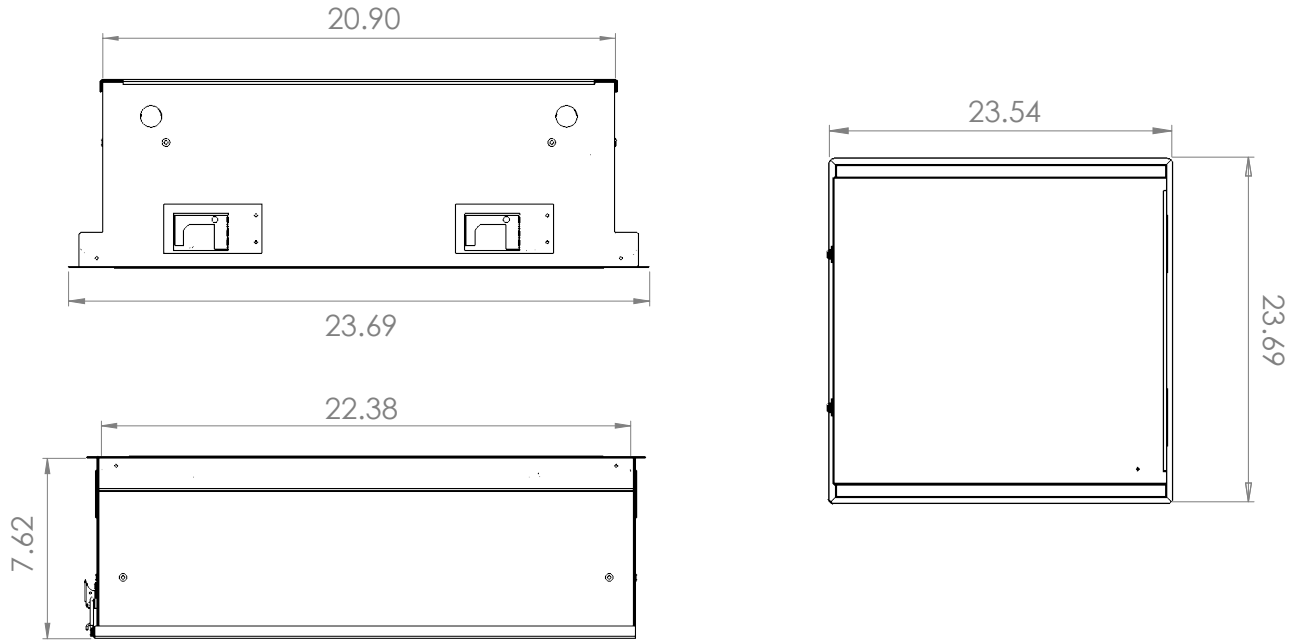
Series	CCT	Type	Illumination Level	Housing
CLT2 2x2	27 2700K	G Grid	SL Standard Low	B16 16 Gauge Cold Roll Steel
CLT4 2x4	30 3000K	F Flanged	ML Medium Low	B18 18 Gauge Cold Roll Steel
	35 3500K		HL High Low	B20 20 Gauge Cold Roll Steel
	40 4000K		SM Standard Medium	SH16 16 Gauge Stainless Steel
	50 5000K		MM Medium Medium	SH18 18 Gauge Stainless Steel
			HM High Medium	SHB18 18 Gauge Stainless Steel (Brushed)
			SH Standard High	ALH .063 Aluminum
			MH Medium High	
			HH High High	

Door Type	Lens
B16 16 Gauge Cold Roll Steel	A125 .125 Clear Acrylic
B18 18 Gauge Cold Roll Steel	125P .125 Clear Polycarbonate
SH16 16 Gauge Stainless Steel	187P .187 Clear Polycarbonate
SH18 18 Gauge Stainless Steel	250P .250 Clear Polycarbonate
SHB18 18 Gauge Stainless Steel (Brushed)	PA125 .125 Prismatic Acrylic
ALH .063" Aluminum	PA156 .156 Prismatic Acrylic
	PP125 .125 Prismatic Polycarbonate
	PP187 .187 Prismatic Polycarbonate
	PHA125 .125 Prismatic High Impact Acrylic
	PHA140 .140 Prismatic High Impact Acrylic
	CTG187 .187 Clear Tempered Glass
	CTG/PA Clear Tempered Glass with Prismatic Acrylic Overlay
	WTA White Translucent Acrylic .080 Lens
	WTP White Translucent Polycarbonate
	SY Symmetric Diffused DR Acrylic

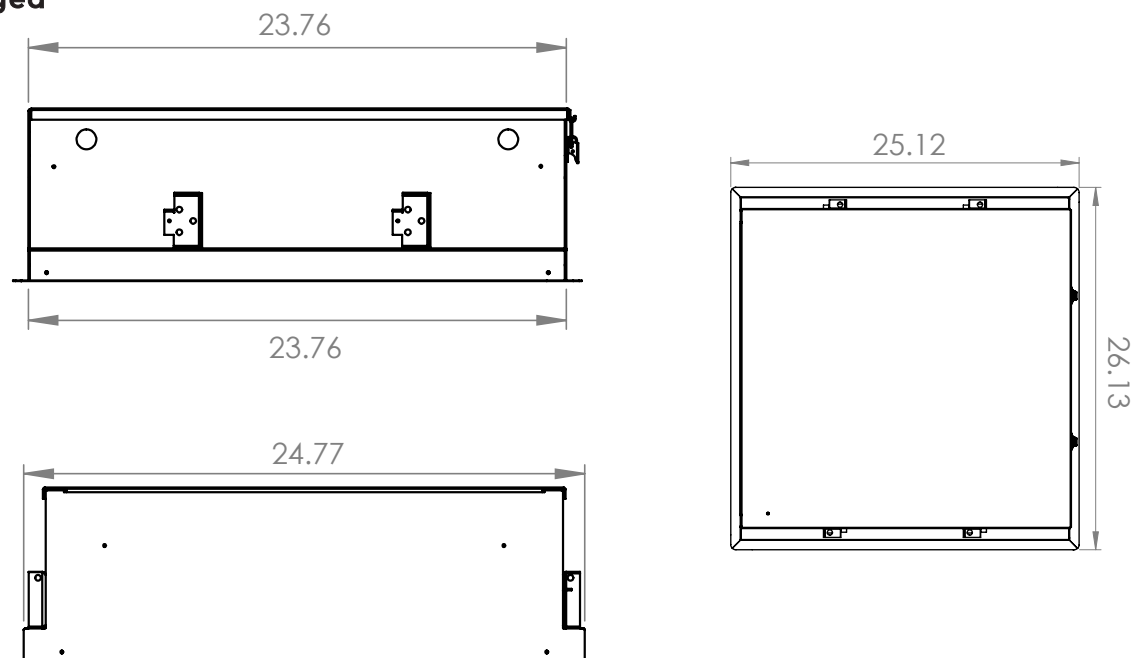
Voltage	Driver	Circuits	Options
M 120/277V	BLANK 0-10V Dimming Driver (included standard)	1 1 Circuits	12EBL 1200 Lumen Emergency Ballast
	CD5 0-10V 5% to Off Dimming Driver	2 2 Circuits	90 90 CRI
	EDN Electronic Driver Non-Dimming		AM Anti-Microbial Paint
	FLDD Fifth Light Dali, Dimming		VDO Lutron Vive Integral RF Controller with Daylight and Occupancy Sensing
	LDE1 Lutron Hi-lume 1% EcoSystem LED driver with Soft-on, Fade-to-Black dimming technology		TRX Torx Head Screws with Center Pin Reject
	LDE5 Lutron LDE5 5-Series Ecosystem 5% Dimming		

DIMENSIONS

2X2 Grid



2X2 Flanged



DIMENSIONS

2X4 Grid

