

## CLRL

LED Tube Spray Booth  
Rear Access Troffer



### PRODUCT SPECIFICATIONS

#### DESCRIPTION

The CLRL is enclosed and gasketed to protect against infiltration of particles and airborne bacteria. The sealed housing and back door frame allows relamping without contamination of the clean areas. The CLRL is available in a 2x4 size, if additional sizes are needed, consult factory.

#### APPLICATIONS

The CLRL was designed to be a high quality paint booth troffer with a rear access door.

#### CONSTRUCTION

One piece, CRS housing has flattened knockouts for a superior seal. Gasketed top cover allows all services from above. Fully white powder coated. One piece door frame with welded corners overlaps the fixture allowing the gasket to seal to the mounting surface. Trap door is secured with two concealed hole latches.

#### OPTICAL SYSTEM

High output LED's available in 3000K, 3500K, 4000K, and 5000K. CRI >82. White polyester polymer finish with a high reflectivity.

#### FINISH

High gloss, electrostatically applied, Salt spray test: 1,000 hours, white powder coat finish, average minimum reflectance 92% available. Anti-microbial paint optional.

#### ELECTRICAL SYSTEM

Electronic drivers are available for 120/277V applications. Long-life LED system rated for >100K life hours (L70 @ 25°C). Metal gear tray for internal LED driver. Complies with federal energy efficiency standards.

#### MOUNTING

Suitable for Flanged installation.

#### LISTINGS

UL/cUL Listed for damp locations. Made in the USA.

#### WARRANTY

5-Year Limited Warranty. Complete warranty and terms located at [www.aelnow.com/warranty](http://www.aelnow.com/warranty).

### ORDERING INFORMATION

Example: CLRL2-6-32-DE-WT-15-40-B18-B18-CP25

SERIES	NUMBER OF LAMPS	LAMP REPLACEMENT	WIRE APPLICATION	LED
CLRL	1	1 Lamp	<b>17</b> 17W T8	<b>LED</b> LED Lamps
	2	2 Lamps	<b>28T8</b> 28W T8	<b>WT</b> With Tubes Included
	3	3 Lamps	<b>28T5</b> 28W T5	
	4	4 Lamps	<b>32</b> 32W T8	
	6	6 Lamps	<b>54</b> 54W T5HO	
			<b>BLANK</b> Single Ended Wiring*	
			<b>DE</b> Double Ended Wiring**	

For additional dimensions contact factory

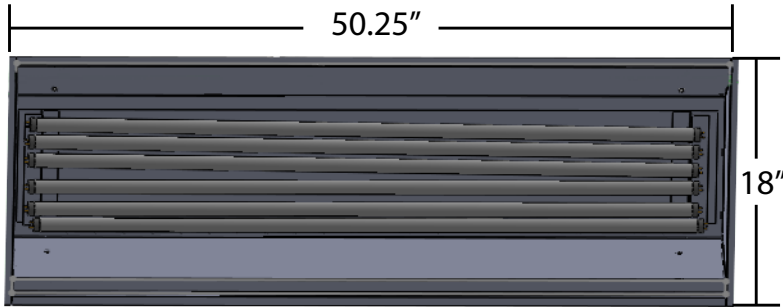
\*Non-Shunted Sockets Wired at One End (Blank)

\*\*Shunted Sockets Wired with White, Opposite End Wired with Black (DE)

WT WATTAGE OPTIONS	WT COLOR TEMP	HOUSING
<b>10W</b> 10 Watt (available in 24" or 36")	<b>30</b> 3000K	<b>B18</b> Cold Roll 18 Gauge Steel Powder Coated
<b>12W</b> 12 Watt (available in 48")	<b>40</b> 4000K	<b>B20</b> Cold Roll 20 Gauge Steel Powder Coated
<b>15W</b> 15 Watt (available in 36" or 48")	<b>50</b> 5000K	<b>SH20</b> 20 Gauge 304 Polished Stainless Steel
<b>18W</b> 18 Watt (available in 48")		<b>ALH</b> .063 Gauge Aluminum Powder Coated
<b>20W</b> 20 Watt (available in 48")		

DOOR FRAME	LENS	OPTIONS
<b>B18</b> Cold Roll 18 Gauge Steel Powder Coated	<b>CTG125</b> .125 Clear Tempered Glass	<b>12EBL</b> 1200 Lumen Emergency Ballast
<b>B20</b> Cold Roll 20 Gauge Steel Powder Coated	<b>CTG187</b> .187 Clear Tempered Glass	<b>FH</b> Fuse and Holder
<b>SH20</b> 20 Gauge 304 Polished Stainless Steel	<b>PTG187</b> .187 Prismatic Tempered Glass	<b>AM</b> Anti-microbial White Paint
<b>ALH</b> .063 Gauge Aluminum Powder Coated		<b>PP</b> Post Paint Powder Coat

**DIMENSIONS**



**DOOR MECHANISM**

