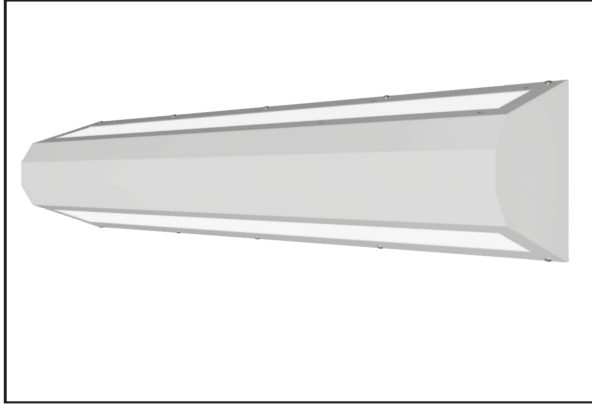


Catalog Number
Project
Type

CLM

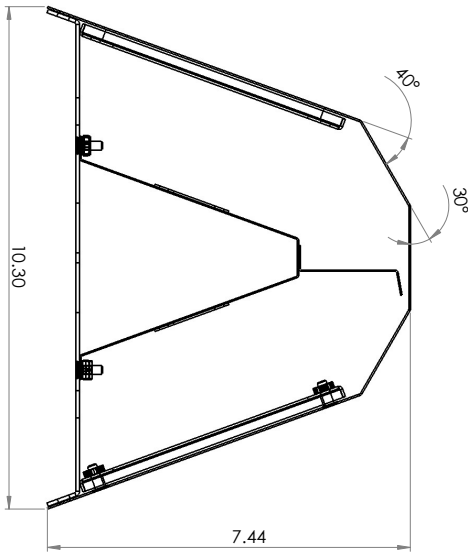
Wall Mount LED Clean Room



STANDARD



OPTIONAL



SPECIFICATIONS

DESCRIPTION

The CLM LED is suitable for use in clean room environment. The CLM utilizes one piece clamshell housing as well as security lensing and stainless steel fasteners. The CLM is ideal for clean room environments technical and biomedical labs, food processing/testing centers and pharmaceutical labs. UL listed for damp locations. Available with downlight and upright, or downlight/upright only. Uniform design allows fixture with only downlight or only upright option to be mounted to accommodate both.

FASTENERS

Stainless steel screws standard. Allen-head screws with center reject pin optional

ELECTRICAL SYSTEM

Electronic driver 120-277V, standard 0-10V 1% dimming.

OPTICAL SYSTEM

Various lens options available, consult factory for additional options.

LISTINGS

UL listed. IP65 rated. Suitable for Class 1/ISO 3+ clean rooms.

FINISH

High gloss, electrostatically applied, white powder coat finish, average minimum reflectance 92%. Anti-microbial paint optional.

HOUSING

Clamshell design combines die-formed steel body with continuous welded and ground ends to form a one-piece, seamless, doorless housing. Gasketed housing, lens, and backplate create a sealed wall mount fixture. Two stainless-steel aircraft cables attach housing to back plate.

LED

80 CRI or 90 CRI LEDs available in 2700K, 3000K, 3500K, 4000K and 5000K. Life is 100,000 hours at 70% lumen maintenance.

BACKPLATE

Die-formed 14 gauge steel backplate.

WARRANTY

5 - Year Limited Warranty. Complete warranty and terms allocated at: www.aelnow.com/warranty

Output	Delivered Lumens	System Wattage	L70 @20C (hrs)
SL	4650	33	>100K
ML	7974	57	>100K
HL	11150	80	>100K
SM	12040	86	>100K
MM	13016	93	>100K
HM	15728	112	>100K

Approximate Color Temperature Multiplier	
5000K	1.03
4000K	1
3500K	0.97
3000K	0.94
2700K	0.91

* Delivered Lumens shown were tested with 4000K LEDs and ASR (asymmetric/symmetric grid) lens.

Catalog
Number

Project

Type



SERIES	UP LIGHT OUTPUT*	UP LIGHT CCT	DOWN LIGHT OUTPUT*	DOWN LIGHT CCT	LENS
CLM2 2'	BLANK No Uplight	BLANK None	SL Standard Low	27 2700K	125C .125 Prismatic Acrylic
CLM4 4'	SL Standard Low	27 2700K	ML Medium Low	30 3000K	CP25 .125 Prismatic Polycarbonate
	ML Medium Low	30 3000K	HL High Low	35 3500K	CP56 .156 Prismatic Polycarbonate
	HL High Low	35 3500K	SM Standard Medium	40 4000K	CP87 .187 Prismatic Polycarbonate
	SM Standard Medium	40 4000K	MM Medium Medium	50 5000K	TG .156 Prismatic Tempered Glass
	MM Medium Medium	50 5000K	HM High Medium		
	HM High Medium				

*2' Fixtures max output of ML (7974 lumens) up light output, and ML (7974 lumens) down light.

HOUSING	DRIVER	VOLTAGE	OPTIONS
B16 16 Gauge Cold Roll Steel	BLANK 0-10V 1% Dimming Driver (included standard)	M 120/277V	12EBL 1200 Lumen Emergency Ballast
B18 18 Gauge Cold Roll Steel	CD5 0-10V 5% to Off Dimming Driver		AM Anti-microbial Matte White Paint
B20 20 Gauge Cold Roll Steel	EDN Electronic Driver Non-Dimming		B Brushed
SH16 16 Gauge Stainless Steel	FLDD Fifth Light Dali, Dimming		TP Tamper Proof Fasteners
SH18 18 Gauge Stainless Steel	LDE1 Lutron Hi-lume 1% EcoSystem LED driver with		LN LED Night Light
SH20 20 Gauge Stainless Steel	Soft-on, Fade-to-Black dimming technology		FZ Fuse Holder
	LDE5 Lutron LDE5 5-Series Ecosystem 5% Dimming		90 90 CRI
			VDO Lutron Vive integral fixture controller (RF with daylight and occupancy sensing)

MOUNTING DIMENSIONS

