

CLI

EXIT LED Clean Room



PRODUCT SPECIFICATIONS

DESCRIPTION

A completely sealed exit sign enclosure developed for applications such as clean rooms, high tech manufacturing facilities, laboratories, hospitals, food processing facilities, and commercial kitchens.

ELECTRICAL

624 nm Red or 527 nm Green LED light source. Electrical components mounted to removable high impact, injection molded polycarbonate chassis.

LISTINGS

UL and CUL listed for Wet Location. UL Classified IP65 per IEC 60598. Meets or exceeds UL924 and NFPA 101 Standards. Meets or exceeds CSA and NRCAN requirements. Rated for ISO 4/Class 10 clean rooms.

CONSTRUCTION

One-piece construction made from 18-gauge cold roll steel or stainless steel. Doorframe to match housing construction. Corners continuously seam welded and smooth. .125" clear polycarbonate lens sealed to the doorframe.

FINISH

TGIC white polyester powder coat with a 5-stage pre-treatment. Salt spray test of over 1,000 hours. Reflectance of 92%. See Options for black exterior or anti-microbial White Paint.

WARRANTY

5 - Year Limited Warranty. Complete warranty and terms located at: www.aelnow.com/warranty

ORDERING INFORMATION

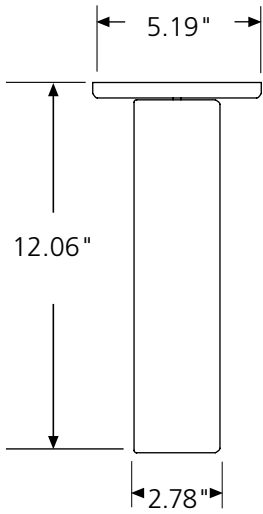
Example: CLI-2-B18-R-W-M

SERIES	FACE	HOUSING /DOOR MATERIAL	LEGEND COLOR	MOUNTING TYPE
CLI	1 Single Face	B18 Cold Roll 18 Gauge Steel (Painted)	G Green	W Wall Mount
	2 Double Face	SH18 Stainless Steel 18 Gauge (Painted)	R Red	T Top Mount
		SHB18 Stainless Steel 18 Gauge (Brushed)		S Side Mount

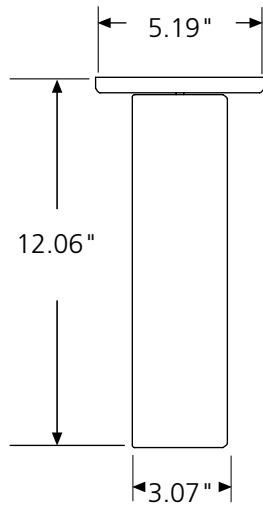
VOLTAGE	OPTIONS
M 120/277VAC	BLANK AC Only EM Standard Emergency Backup BLK Black Exterior (N/A with brushed housing/door material) TPS Torx Head Tamper-Proof screws TS Torx Screwdriver AM Anti-Microbial White Paint

DIMENSIONS

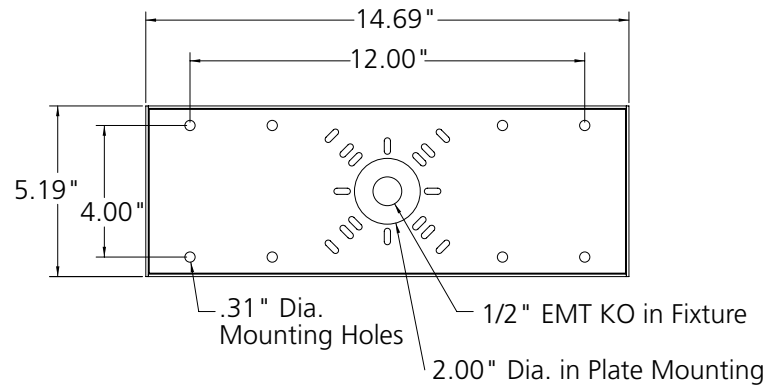
Single Face



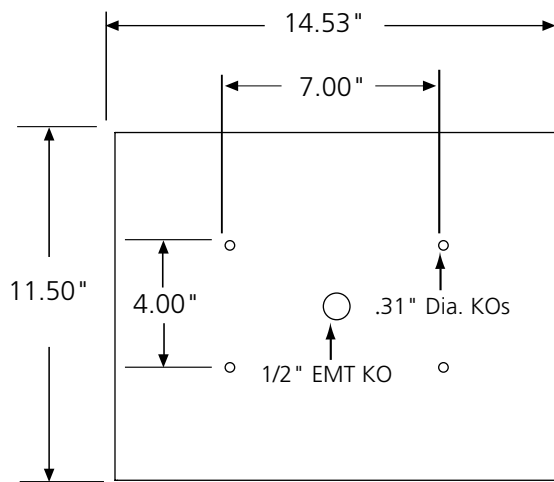
Double Face



Top Mount



Wall Mount (Single Face Only)



Side Mount

