



CLE Surface Mount LED Clean Room



DESCRIPTION

The CLE is a surface mount IC-rated luminaire that provides a cost-effective LED clean room lighting solution. Gasketed housing and door frame create a sealed enclosure. The CLE is available in 1x4, 2x2, and 2x4 sizes. Available options such as anti-microbial paint, and wet location. MILSTD 461G available, NSF listed. Inset doorframe suitable for biosafety labs rated BSL 1 and 2, overlap doorframe suitable for biosafety labs rated BSL 3 and 4. Suitable for Class 1/ISO 3 Cleanrooms. NSF/ANSI 2 Food Zone, Splash Zone and Non-Food Zone Applications.

HOUSING

Housing constructed in choice of cold roll steel, stainless steel, or marine grade aluminum. Seam-welded construction. All doors attached to the housing with two stainless steel aircraft cables. Stainless steel Phillips head screws secure door frame to housing. White TGIC polyester powder coat – 5-stage pre-treatment. Salt spray test: 1,000 hours; Reflectance: 92%. Anti-microbial paint optional.

DOORFRAME

Inset or overlap doorframe in choice of cold roll steel, stainless steel, or marine grade aluminum. White TGIC polyester powder coat – 5-stage pre-treatment. Salt spray test: 1,000 hours; Reflectance: 92%. Doorframe secured to housing with stainless steel aircraft cables and Phillips head stainless steel fasteners.

ELECTRICAL SYSTEM

Electronic driver 0-10V 1% dimming standard. Long-life LED system rated for >100K hours (L70 @ 45°C). Complies with federal energy efficiency standards.

OPTICAL SYSTEM

Various lens options available, refer to ordering information. RFI 3/8" square metal grid, grounded to the housing.

LISTINGS

Approved to CSA and UL standards.

UL listed for wet location.

NSF Listed.

Food Safe.

IP65 rated with inset doorframe, IP66 rated with overlap doorframe. Inset doorframe suitable for biosafety labs rated BSL 1 and 2, overlap doorframe suitable for biosafety labs rated BSL3 and 4.

Suitable for Class 1/ISO 3 Cleanrooms.

MOUNTING

Surface Mount luminaire.

LED

80 CRI or 90 CRI LEDs available in 2700K, 3000K, 3500K, 4000K and 5000K. Life is >100,000 hours at 70% lumen maintenance. Red (630nm) and Green (520nm) LEDs also available, consult factory.

WARRANTY

5 - Year Limited Warranty. Complete warranty and terms located at: www.aelnow.com/warranty

DOORFRAME GASKET

One-piece closed cell silicone gasket seals doorframe to housing.

Output	Delivered Lumens	System Wattage	L70 @45°C (hrs)
SL	4650	33	>100K
ML	7974	57	>100K
HL	11150	80	>100K
SM	12040	86	>100K
MM	13016	93	>100K
HM	15728	112	>100K
SH	16500	118	>100K
MH	20000	143	>100K
HH	25000	179	>100K

* Delivered Lumens shown were tested with 4000K LEDs

Approximate Color Temperature Multiplier	
5000K	1.03
4000K	1
3500K	0.97
3000K	0.94
2700K	0.91

Example: CLE4-40-ML-B18-B18-INS-PA125-M-1

Custom Lumen Output: CLE4-40-ML-B18-B18-INS-PA125-M-1-6000 for 6,000 lumens.

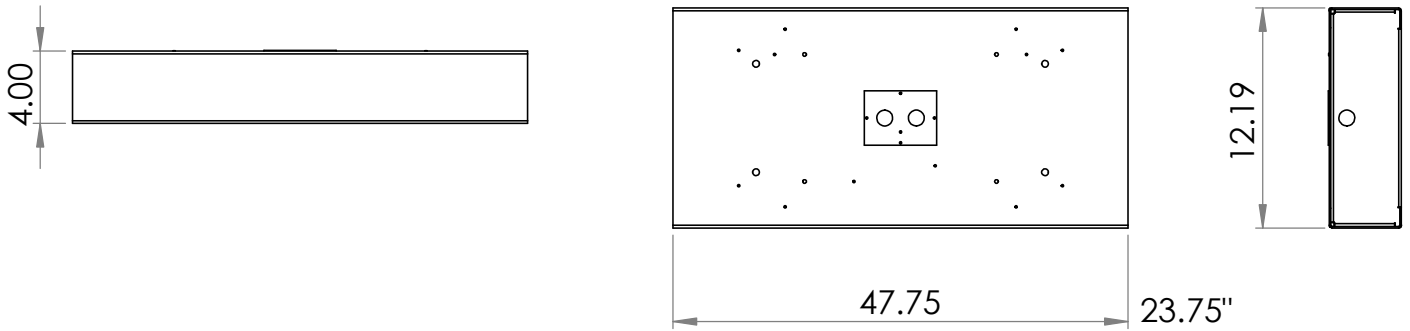
Series	CCT	Illumination Level	Housing Material
CLE1 1x4	27 2700K	SL Standard Low	B20 20 Gauge Cold Roll Steel
CLE2 2x2	30 3000K	ML Medium Low	B18 18 Gauge Cold Roll Steel
CLE4 2x4	40 4000K	HL High Low	SH18 18 Gauge Stainless Steel (DR)
	50 5000K	SM Standard Medium	SHP18 18 Gauge Stainless Steel (Painted)
		MM Medium Medium	SHB18 18 Gauge Stainless Steel (Brushed)
		HM High Medium	ALH .063" Aluminum (Painted)
		SH Standard High	
		MH Medium High	
		HH High High	

Door Material	Inverted Lens	Voltage
INSET DOORFRAME	PA125 .125 Prismatic Acrylic	M Multi-Volt 120/277V
B18INS 18 Gauge Cold Roll Steel	PA156 .156 Prismatic Acrylic	
SH18INS 18 Gauge Stainless Steel (DR)	S Frost Glaze Satin Lens	
SHP18INS 18 Gauge Stainless Steel (Painted)	PP125 Prismatic Inner with .125	
SHB18INS 18 Gauge Stainless Steel (Brushed)	Clear Outer Polycarbonate	
ALHINS .063" Aluminum (Painted)	SY Symmetric Diffused DR Acrylic	
OVERLAP DOORFRAME	125P .125 Clear Polycarbonate	
B20OVL 20 Gauge Cold Roll Steel	K19RF KSH-19 RFI Prismatic Acrylic	
B18OVL 18 Gauge Cold Roll Steel		
SH18OVL 18 Gauge Stainless Steel (DR)	Other lens options available, consult factory.	
SHP18OVL 18 Gauge Stainless Steel (Painted)		
SHB18OVL 18 Gauge Stainless Steel (Brushed)		
ALHOVL .063" Aluminum (Painted)		

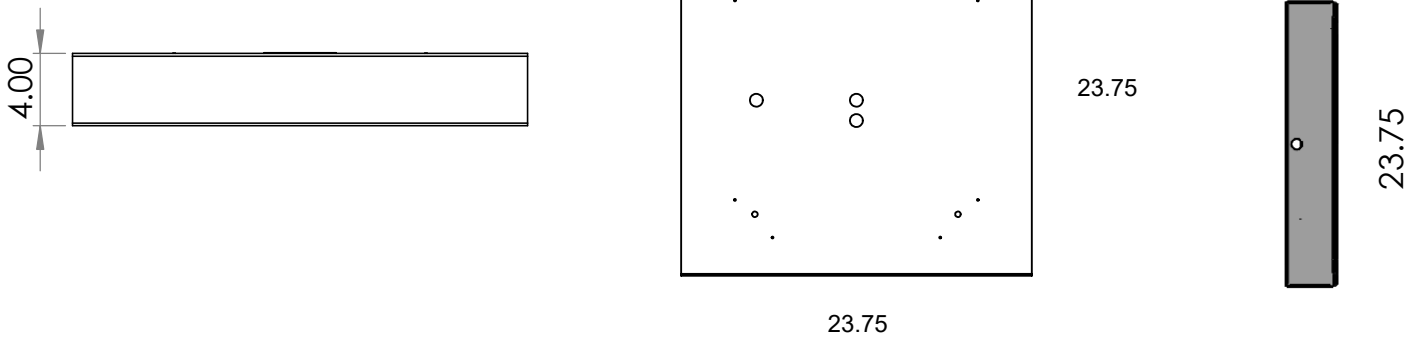
Driver Options	Circuits	Options
BLANK 0-10V 1% Dimming Driver (<i>included standard</i>)	1 1 Circuits	12EBL 1200 Lumen Emergency Ballast
CD5 0-10V 5% to Off Dimming Driver	2 2 Circuits	MIL MILSTD 461G Compliant
EDN Electronic Driver Non-Dimming		CHP Continuous Piano Hinge
DALI DALI Dimming Driver, 1%		90 90 CRI
LDE1 Lutron Hi-lume 1% EcoSystem LED driver with Soft-on, Fade-to-Black dimming technology		AM Anti-Microbial Paint
LDE5 Lutron LDE5 5-Series Ecosystem 5% Dimming		VDO Lutron Vive Integral Fixture control (RF with Daylight and Occupancy Sensing)
		FCJS0 Lutron Vive Attached Fixture Control (RF Only for 0-10V Drivers)
		TS Thumb Screw

DIMENSIONS

1X4



2X2



2X4

