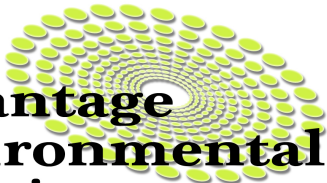


Advantage Environmental Lighting



Catalog Number
Project
Type

CLA

Wash Down LED Clean Room
High Bay Luminaire



IP67
CERTIFIED

IP66
CERTIFIED



PRODUCT SPECIFICATIONS

DESCRIPTION

The CLA Series is an IP Rated Wash Down LED Clean Room High Bay luminaire. It boasts a gasketed enclosure that is completely dust and moisture resistant. The CLA utilizes state-of-the-art LED technology to deliver the highest possible efficiency in the lighting industry.

APPLICATIONS

The CLA Series of Wash Down LED Clean Room High Bays were designed to be high quality, energy efficient fixtures for use in food processing facilities, kitchens, parking garages, canopy, stairwells, car washes, government facilities, schools, public areas and industrial facilities. Suitable for both indoor and outdoor applications.

CONSTRUCTION

The fixture is constructed of a single-piece polycarbonate upper body and an acrylic diffuser securely positioned with a permanent, poured-in-place, polyurethane sealing gasket. The diffuser and upper components are locked in place and sealed tightly with tamper-resistant stainless steel retaining latches. High impact acrylic/DR material diffuser composition.

OPTICAL SYSTEM

White polyester polymer finish with a minimum 93% reflectivity. Miro 4 reflector available.

ELECTRICAL SYSTEM

Electronic drivers are available for 120/277V applications. Long-life LED system rated for >50K life hours (L70 @ 25Å°C). Metal gear tray for internal LED driver. Complies with federal energy efficiency standards. 0-10 dimming standard.

MOUNTING

The fixture can be suspended or surface mounted. Utilizes off the shelf 1/2" fittings.

LISTINGS

UL and cUL Listed. CSA approved. NSF International Certified. IP66 and IP67 Certified for Wet Location applications. NEMA 4X.

WARRANTY

5-Year Limited Warranty. Complete warranty and terms located at www.aelnow.com/ warranty.

ORDERING INFORMATION

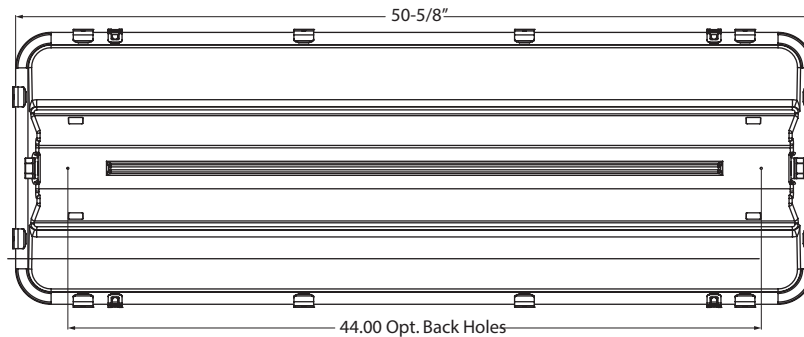
Example: CLA40SMCM

SERIES	COLOR TEMP	OUTPUT	REFLECTOR	LENS OPTIONS	VOLTAGE	EMERGENCY OPTIONS	HANGING OPTIONS	SENSOR OPTIONS
CLA	30 3000K	S Standard	(Blank) None	C Clear	M Multi-Volt (120-277VAC)	12EBL 1200 Lumen Emergency	SMH Surface Mount AFH "A" Frame	WS Wet Sensor
	35 3500K	M Medium	M Miro	F Frosted				
	40 4000K	H High						
	50 5000K	** See below						

** For specific lumen outputs, please place the specific lumens desired at the end of the part#. For Example: CLA40MCM11000. Contact factory for approval, if lumens exceed 30% of High (H) Output.

FIXTURE DIMENSIONS

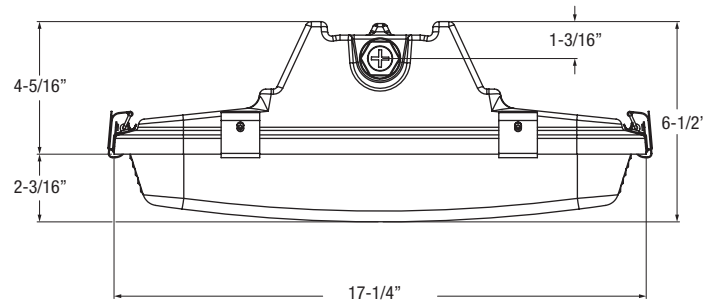
TOP VIEW



SIDE VIEW



END VIEW



ENERGY AND PERFORMANCE DATA

Input Voltage	120/277VAC
System Input Power	32, 40, and 60 Watts*
Delivered Lumen Output per ft	7,881- 20,000 Lumens
Standard Dimming Control	0-10V
CCT	3000, 3500, 4000, 5000 Kelvin
CRI	82 (minimum)
Life Time Rating	50,000 hrs @ L70
Input Frequency	50/60 Hz
Power Factor	>0.9
Operating Temp	30° to 50° C

*Actual wattage may differ by ±5% while operating 120/277V ±10%

LED SYSTEM DATA

Output	Delivered Lumens	System Wattage	L70 @ 25°C (hrs)	Amperage Draw	
				120V	277V
Standard	7881	60	>50K	.50A	.22A
Medium	15500	118	>50K	.98A	.43A
High	20000	153	>50K	1.28A	.55A