

Catalog Number
Project
Type

# CF

## Corner Surface Mount Fluorescent Luminaire



### PRODUCT SPECIFICATIONS

#### DESCRIPTION

The CF Series is an architecturally designed recessed fluorescent fixture. It is available for continuous run mounting.

#### APPLICATIONS

The CF Series is designed to be a high quality, energy efficient fluorescent fixtures for use in corridors, stairwells, dormitories and other applications with low ceiling height. The CF Series is ideal for residential, commercial or institutional applications. Available with one or two lamps in 2, 3, and 4 foot lengths

#### CONSTRUCTION

The fixture is constructed of a 4" wide heavy gauge steel body. The fixture is available in any run length within 1" increments. Heavy duty housing crimped along sides for extra rigidity and straight alignment. Tamper-Proof screws available.

#### OPTICAL SYSTEM

The fixture is provided with a precision formed, high efficiency reflector designed to direct the light downward and outward into usable horizontal illumination. The symmetrical reflector provides exceptional downward throw. Uplight option available for Pendant Mount applications.

#### ELECTRICAL SYSTEM

Standard 120-277V electronic instant start ballasts for T8 lamping, 10% THD. Standard 120-277V electronic program start ballasts for T5 lamping, 10% THD. 50-60 Hz operation. Sound rated A. Thermally protected. Automatic resetting Class P. High Power Factor. Non PCB.

#### MOUNTING

The fixture can be recess mounted in either a standard grid ceiling or it may be ordered with a flange kit to allow for mounting into sheetrock. The fixture can be pendant mounted. See page 2 for pendant ordering information.

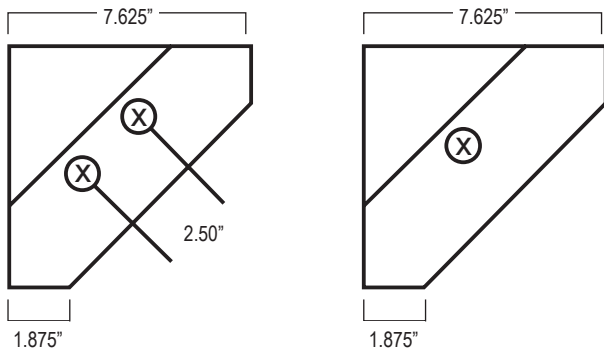
#### LISTINGS

Independently tested to IESNA LM-79 and LM-80 specifications. UL and cUL Listed. Damp location rated.

#### WARRANTY

5-Year Limited Warranty. Complete warranty and terms located at [www.aelnow.com/resources](http://www.aelnow.com/resources).

### FIXTURE DIMENSIONS



### ORDERING INFORMATION

Example: CF4232SMW

Option: TPS

CF							
SERIES	ROW LENGTH (IN FT)	# OF LAMPS (PER 4')	WATTAGE	LENS	VOLTAGE	FINISH	OPTIONS
CF	4 4' 8 8'	1 1 Lamp 2 2 Lamps	28T8 28W T8 28T5 28W T5 32 32W T8 54 54W T5HO	S Satin Lens A12 .125 #12 Acrylic L Louvers (White) CP Clear Polycarbonate	M Multi-Volt (120/277VAC)	W White SP Custom	EC Emergency Circuit EM14 1400 Lumen T8 Emergency EM14T5 1400 Lumen T5 Emergency FW 6" Flex Whip TPS Tamper-Proof Screws
	XX Indicate Length in FT						