

CAXEM10

CHICAGO APPROVED LED EXIT/STAIR SIGN & EMERGENCY STEEL COMBO



STANDARD



OPTIONAL

ILLUMINATION

- Long lasting, energy efficient white LED EXIT or STAIR sign illumination
- Two 6V 5.3W adjustable Chicago approved white LED lamp heads.

ELECTRICAL

- Dual 120/277V standard.
- Charge rate/power "ON" LED indicator light and push-to-test switch for mandated code compliance testing.
- 6V sealed lead acid, maintenance-free, rechargeable battery.
- LVD (low voltage disconnect) prevents battery from deep discharge.
- Internal solid-state transfer switch automatically connects the internal battery to LED board and LED lamp heads for minimum 120 minute emergency illumination.
- Fully automatic solid-state, two rate charger initiates battery charging to recharge a discharged battery in 24 hours.

MOUNTING

- Mounting canopy included for top or end mount.
- Universal knockout pattern on back plate for wall mount.

HOUSING

- Durable, powder-coated 20-gauge steel construction in white or black finish.
- Single or double face configurations.

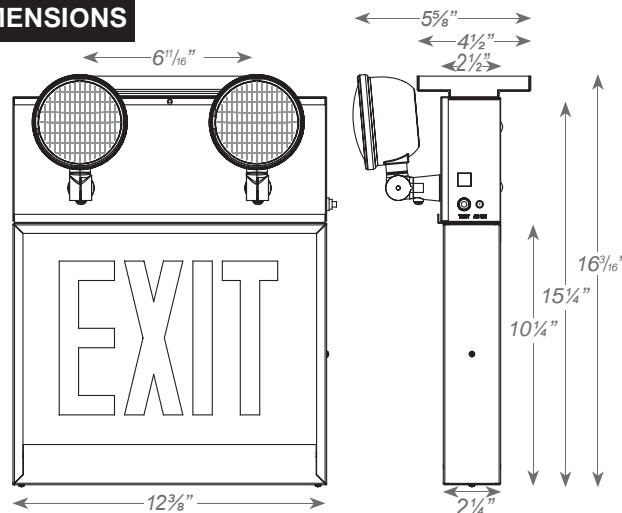
OPTIONS

- RC: Remote capacity of up to 10.0 watts.

WARRANTY / LISTING

- Five year warranty on all electronics and housing. Battery prorated for two years.
- Meets UL924, NFPA 101 Life Safety Code, NEC, OSHA, Local and State Codes.
- UL Listed for damp locations (20°C – 50°C).
- Meets city of Chicago requirements.

DIMENSIONS



Sample Part Number: **CAXEM101RW-NA**

MODEL	No. of FACES	LETTER	HOUSING	OPTIONS	SIGNAGE / DIRECTIONAL ARROWS			
CAXEM10	1 Single Face	R Red On White	W White B Black	RC Remote Capacity	-NA	Exit No Arrow	-S--LA ¹	Stairs Left Arrow
	2 Universal Single/Double Face				-DA	Exit Double Arrow	-S--NA	Stairs No Arrow
					-RA ¹	Exit Right Arrow	-S--DA	Stairs Double Arrow
					-LA ¹	Exit Left Arrow	-S--RA ¹	Stairs Right Arrow
					-LARA ²	Exit Left/Right Arrow	-S--LARA ²	Stairs Left/Right Arrow

¹ Available in single face configuration only.

² Available in double face configuration only.