



CAEMR17

Chicago Approved Steel Recessed Emergency Unit

STANDARD



ILLUMINATION

- Two, 6V/12V 12W adjustable bi-pin halogen lamp heads.
- Long lasting, efficient, wedge base incandescent or bi-pinhalogen lamps.
- High performance chrome-plated metallized reflector and glass lens for optimal light distribution.
- Adjustable 6V or 12V lamp heads provide optimal center-to-center spacing.

ELECTRICAL

- Dual 120V/277 voltage.
- Charge rate/power "ON" LED indicator light and push-to-test switch for mandated code compliance testing.
- LVD (low voltage disconnect) prevents battery from deep discharge.
- 6V sealed lead acid, maintenance-free, rechargeable battery.
- Internal solid-state transfer switch automatically connects the internal battery to lamp heads for minimum 120-minute emergency illumination.
- Fully automatic solid-state, two rate charger initiates battery charging to recharge a discharged battery in 24 hours.
- Remote capacity of 26W standard on 50W models.

MOUNTING

- Conveniently designed for use with T-bar grid ceilings.
- Holes provided on enclosure for wire-suspension mount.

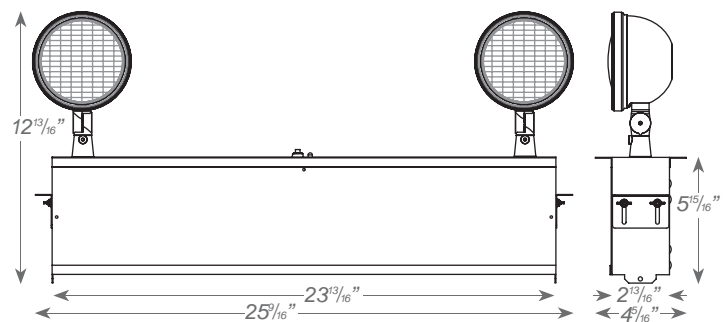
HOUSING

- Durable 20-gauge steel construction.
- White or black finish.

WARRANTY / LISTING

- Five year warranty on all electronics and housing. Battery pro rated for two years.
- UL Listed for damp locations (20°C – 50°C).
- Meets UL924, NFPA 101 Life Safety Code, NEC, OSHA, Local and State Codes.
- Meets city of Chicago requirements.

DIMENSIONS



ORDERING INFORMATION

Sample Part Number: **CAEMR17-6-27**

MODEL	VOLTAGE		WATTS (for 120 mins.)		HOUSING COLOR	
CAEMR17	6	6V	27	27 ¹	Blank	White
			50	50	B	Black

Notes:

1. Available in 6V only

ELECTRICAL INFORMATION

CATALOG NUMBER	INPUT WATTS (W)		INPUT AMPS (A)	
	120V	277V	120V	277V
CAEMR17-627	11.0	11.0	0.11	0.04
CAEMR17-650	18.0	18.0	0.17	0.07
CAEMR17-1250	26.0	26.0	0.25	0.10