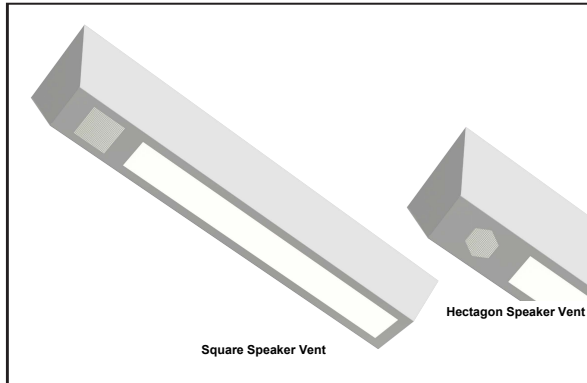


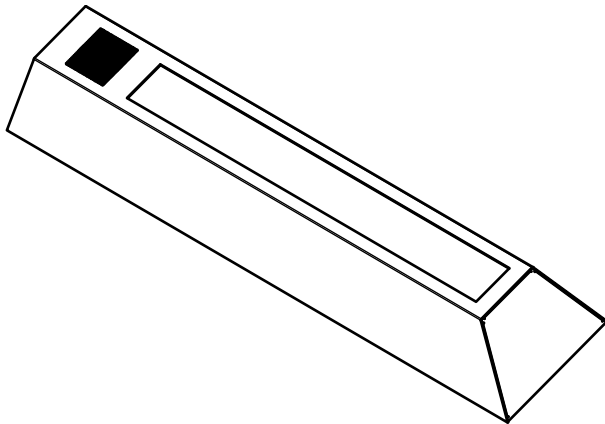
BASPK

LED Correctional Surface Mount
For Integrated Speaker



STANDARD

OPTIONAL



SPECIFICATIONS

DESCRIPTION

The BASPK LED combines maximum security construction with the ability to add an integrated speaker. A one-piece clamshell housing with impact resistant security lensing and tamper resistant fasteners prevent contraband concealment and unwanted fixture penetration. Designed for confinement/security applications, and suitable for maximum security facilities. Applications include inmate cells, secure corridors, general population areas, and more.

FASTENERS

Stainless steel tamper-resistant T20 TORX screws standard. Allen-head screws with center reject pin optional.

ELECTRICAL SYSTEM

0-10V 1% dimming driver included standard. Long-life LED system rated for >100K life hours (L70 @ 25°C). Complies with federal energy efficiency standards.

OPTICAL SYSTEM

Various choices of inner and outer lenses. If additional lens options are required, consult factory. Prismatic inner lens and clear polycarbonate outer lens are recommended.

LISTINGS

UL listed for damp locations. Manufactured in the USA, BAA Compliant.

FINISH

Electro-statically applied white powder coat exterior finish. High gloss white internal paint with a minimum reflectance of 92%. Anti-microbial paint optional.

HOUSING

Various housing material options, consult factory if additional options not listed are needed. 14 Gauge backplate standard. Clamshell design with continuous welded and ground ends to form a one-piece, seamless, doorless housing which maximizes impact resistance and prevents contraband concealment, as well as unauthorized fixture penetration. Two stainless-steel aircraft cables attach housing to back plate.

LED

80 CRI or 90 CRI LEDs available in 2700K, 3000K, 3500K, 4000K and 5000K. Life is >100,000 hours at 70% lumen maintenance.

BACKPLATE

Die-formed 14 ga. steel backplate forms an irretrievable blade trap to prevent contraband concealment.

WARRANTY

5 - Year Limited Warranty. Complete warranty and terms located at: www.aelnow.com/warranty

Output	Delivered Lumens	System Wattage	L70 @45C (hrs)
SL	4650	33	>100K
ML	7974	57	>100K
HL	11150	80	>100K
SM	12040	86	>100K
MM	13016	93	>100K
HM	15728	112	>100K

Approximate Color Temperature Multiplier	
5000K	1.03
4000K	1
3500K	0.97
3000K	0.94
2700K	0.91

* Delivered Lumens shown were tested with 4000K LEDs
Custom lumen outputs are available, add desired lumens to end of part number.

ORDERING INFORMATION

Example: BASPK4-40-ML-HXN-4-PA125-250P-B14-M

Custom Lumen Output Example: BASPK4-40-ML-HXN-4-PA125-250P-B14-M-7000 for 7000 lumens

SERIES	CCT	ILLUMINATION LEVEL	SPEAKER VENT	SPEAKER SIZE*	INNER LENS	OUTER LENS	
BASPK4 4"	27	2700K	SL Standard Low	SQ Square	4 4" Diameter	PA125 .125 Prismatic Acrylic	125P .125 Clear Polycarbonate
	30	3000K	ML Medium Low	RD Round		PA156 .156 Prismatic Acrylic	156P .156 Clear Polycarbonate
	35	3500K	HL High Low	HXN Hexagon		PP125 .125 Prismatic Polycarbonate	187P .187 Clear Polycarbonate
	40	4000K	SM Standard Medium			PP156 .156 Prismatic Polycarbonate	250P .250 Clear Polycarbonate
	50	5000K	MM Medium Medium			PP187 .187 Prismatic Polycarbonate	375P .375 Clear Polycarbonate
		HM High Medium					

* Consult with factory to ensure your speaker will fit this enclosure.

*Speaker not included with fixture.

HOUSING	DRIVER	VOLTAGE	OPTIONS
B14 14 Gauge Cold Roll Steel	BLANK 0-10V 1% Dimming Driver (included standard)	M 120/277V	14EBL 14W Emergency Backup
B16 16 Gauge Cold Roll Steel	CD5 0-10V 5% to off Dimming Driver		AM Anti-Microbial White Paint
SH14 14 Gauge Stainless Steel	EDN Electronic Driver Non-Dimming		BR Brushed (Stainless Steel Only)
SH16 16 Gauge Stainless Steel	FLDD Fifth Light Dali, Dimming		AH Allen Head Screws With Center Pin Reject
	LDE1 Lutron Hi-lume 1% EcoSystem LED driver with Soft-on, Fade-to-Black dimming technology		90 90
	LDE5 Lutron LDE5 5-Series Ecosystem 5% Dimming	LN Night Light (XX - Specify CCT)	
		NLXX (30=3000K, 35=3500K, 40=4000K)	

DIMENSIONS

