

Catalog Number
Project
Type

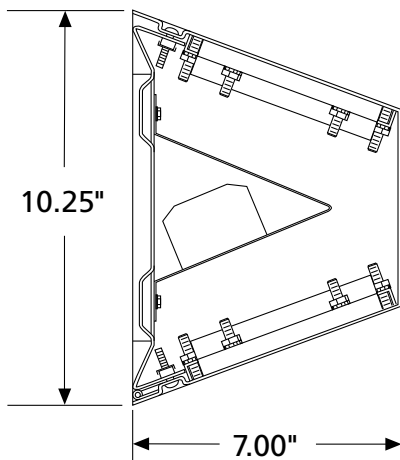
## BAN

### Wall Mount LED Prison Grade



STANDARD

OPTIONAL



#### DESCRIPTION

The BAN LED combines maximum security construction with energy saving technology. The BAN utilizes one piece clamshell housing as well as security lensing and tamper resistant fasteners for impact resistance and prevent contraband concealment and unwanted fixture penetration. The BAN is ideal for confinement/security applications. Suitable for use in inmate cells, psychiatric wards, secure corridors and general population areas.

#### FASTENERS

Stainless steel tamper-resistant center pin TORX screws standard. Allen-head screws with center pin optional.

#### ELECTRICAL SYSTEM

0-10V Dimming Driver included standard. Long-life LED system rated for >100K life hours (L70 @ 25°C). Complies with federal energy efficiency standards.

#### OPTICAL SYSTEM

Various choice of inner and outer lenses. If additional options are needed, please consults factory.

#### LISTINGS

UL listed for damp locations.

#### FINISH

The BAN is TGIC polyester powder coated with 5-stage pre-treatment and salt spray tested: 1,000 hours; Reflectance: 92%.

#### HOUSING

Clamshell design combines one-piece die-formed, seamless, door-less housing which maximizes impact resistance and prevents contraband concealment and unauthorized fixture penetration.

#### LED

80 CRI or 90 CRI LEDs available in 2700K, 3000K, 3500K, 4000K and 5000K. Life is >100,000 hours at 70% lumen maintenance.

#### BACKPLATE

Die-formed blade trap (1/4" minimum) prevents contraband concealment and access. Embossed standoffs prevent distortion.

#### WARRANTY

5 - Year Limited Warranty. Complete warranty and terms located at: [www.aelnow.com/warranty](http://www.aelnow.com/warranty)

Output	Delivered Lumens	System Wattage	L70 @20C (hrs)
SL	4650	33	>100K
ML	7974	57	>100K
HL	11150	80	>100K
SM	12040	86	>100K
MM	13016	93	>100K
HM	15728	112	>100K

Approximate Color Temperature Multiplier	
5000K	1.03
4000K	1
3500K	0.97
3000K	0.94
2700K	0.91

\* Delivered Lumens shown were tested with 4000K LEDs and ASR (asymmetric/symmetric grid) lens.

SERIES	COLOR TEMP	OUTPUT	ILLUMINATION DISTRIBUTION UP/DOWN	INNER LENS
BAN2 2'	30 3000K	SL Standard Low	100/0 100 up, 0 down	125C .125 Pris. Acrylic
BAN4 4'	35 3500K	ML Medium Low	90/10 90 up, 10 down	CP25 .125 Pris. Poly.
	40 4000K	HL High Low	80/20 80 up, 20 down	CP56 .156 Pris. Poly.
	50 5000K	SM Standard Medium	70/30 70 up, 30 down	CP87 .187 Pris. Poly.
		MM Medium Medium	60/40 60 up, 40 down	TG .156 Pris. Temp. Glass
		HM High Medium	50/50 50 up, 50 down	FA .125 Frosted Acrylic
		40/60 40 up, 60 down	30/70 30 up, 70 down	
20/80 20 up, 80 down	10/90 10 up, 90 down			
0/100 0 up, 100 down				

OUTER LENS	HOUSING	BACKPLATE
125P .125 Clear poly.	B12 Cold Roll 12 Gauge Steel	B12 Cold Roll 12 Gauge Steel
187P .187 Clear Poly.	B14 Cold Roll 14 Gauge Steel	B14 Cold Roll 14 Gauge Steel
25P .250 Clear Poly.	B16 Cold Roll 16 Gauge Steel	B16 Cold Roll 16 Gauge Steel
37P .375 Clear Poly.	B18 Cold Roll 18 Gauge Steel	B18 Cold Roll 18 Gauge Steel
5P .5 Clear Poly.	B20 Cold Roll 20 Gauge Steel	B20 Cold Roll 20 Gauge Steel
F1 .187 Clear Temp.Glass	SH14 Stainless Steel 14 Gauge	SH14 Stainless Steel 14 Gauge
G1 .250 Clear Temp.Glass	SH16 Stainless Steel 16 Gauge	SH16 Stainless Steel 16 Gauge
H1 .375 Clear Temp.Glass	SH18 Stainless Steel 18 Gauge	SH18 Stainless Steel 18 Gauge
I1 .500 Clear Temp.Glass	SH20 Stainless Steel 20 Gauge	SH20 Stainless Steel 20 Gauge
	SH14B Stainless Steel 14 Gauge (Brushed)	
	SH16B Stainless Steel 16 Gauge (Brushed)	

DRIVER	VOLTAGE	OPTIONS
BLANK* 0-10V Dimming Driver (included standard)	M 120/277V	12EBL 1200 Lumen Emergency Ballast
CD1 0-10V 1% to off Dimming Driver		TP Non-tamper Proof Fasteners Phillips-head screws)
CD5 0-10V 5% to off Dimming Driver		AH Allen Head Screws With Center Reject
EDN Electronic Driver Non-Dimming		LN LED Night Light. Consult Factory for Available Colors & Temperatures
FLDD Fifth Light Dali, Dimming		FZ Fuse Holder
LDE1 Lutron Hi-lume 1% EcoSystem LED driver with Soft-on, Fade-to-Black dimming technology		90 90 CRI
LDE5 Lutron LDE5 5-Series Ecosystem 5% Dimming		FLH Full Length Internal Hinge
		RT Removable Gear Tray
	CL/R* Convenience Outlet (L = Left, R = Right)	
	GFOL/R* Ground Fault Outlet (L = Left, R = Right)	
	RSL/R* Recessed Push Switch (L = Left, R = Right)	
	SEL/R* Speaker Hsg Extension (L = Left, R = Right)	
	TSL/R* Touch Control Switch (L = Left, R = Right)	
	WL Wet Location	
	VDO Lutron Vive integral fixture controller (RF with daylight and occupancy sensing)	
	FCJS0 Lutron Vive attached RF controller for 0-10V drivers	

\* = please choose either L for LEFT or R for RIGHT to choose what side of the fixture you would like the adder to be on.

## MOUNTING DIMENSIONS

