

BAIW

LED Prison Grade
Wall Mount Luminaire



STANDARD

OPTIONAL



Approximate Color Temperature Multiplier	
5000K	1.03
4000K	1
3500K	0.97
3000K	0.94
2700K	0.91

Output	Delivered Lumens	System Wattage	L70 @20C (hrs)
SL	4650	33	>120K
ML	7974	57	>120K
HL	11150	80	>120K
SM	12040	86	>120K
MM	13016	93	>120K
HM	15728	112	>120K

* Delivered Lumens shown were tested with 4000K LEDs

SPECIFICATIONS

DESCRIPTION

The BAIW is a vandal resistant wall mounted luminaire, engineered for high abuse areas. The BAIW is a perfect combination of strength and aesthetics. An excellent choice for locations such as prisons, stairwells, schools, restrooms, storage facilities, dormitories, hallways, shower facilities, and locker rooms.

FINISH

Powder-coated matte white finish, with options such as gloss white and anti-microbial white available.

HOUSING

18 gauge steel, with welded and ground ends. Options such as stainless steel housing available, contact factory for custom options.

ELECTRICAL SYSTEM

Electronic, standard 0-10V, 1% and 10% dimming driver included standard.

OPTICAL SYSTEM

The MLC housing options includes a double wall lens channel captive lens that prevents unwanted penetration. With screws along each side, the MLC ensures maximum lens captivation.

The TRSE incorporates tamper resistant screws, one on each end-cap.

LENS

Nominal 0.125", UV stabilized, clear Pattern 12, impact-resistant, prismatic polycarbonate refractor for high efficiency, low surface brightness and maximum strength. Opal smooth available. .187" thick clear Pattern 12 prismatic polycarbonate available.

LISTINGS

UL listed for damp location.

Wet location listed under covered ceiling optional.

Manufactured in Fort Worth, TX.

FASTENERS

Captive, stainless steel tamper proof, T20 TORX head screws prevent unauthorized access.

HOUSING

Die formed, seam welded, and ground smooth (specify material and gauge). Incorporates a removable reflector unitized with all electrical components for easy installation and maintenance. Die formed one-piece frame with tightly closed corners. (material and gauge to match housing). Fixture is available with end access for continuous runs and conduit entry.

LED

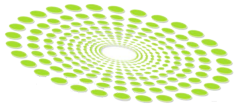
80 CRI or 90 CRI LEDs available in 2700K, 3000K, 3500K, 4000K and 5000K. Life is 100,000 hours at 70% lumen maintenance.

GASKET

One-piece closed cell silicone gasket seals doorframe to housing.

WARRANTY

5 - Year Limited Warranty. Complete warranty and terms located at: www.aelnow.com/warranty



Advantage.

Environmental Lighting

Catalog
Number

Project

Type

SERIES	HOUSING	CCT	ILLUMINATION LEVER
BAIW2 2'	MLC Tamper resistant screws along each side to ensure security	27 2700K	SL Standard Low
BAIW3 3'		30 3000K	ML Medium Low
BAIW4 4'		35 3500K	HL High Low
BAIW8 8'		40 4000K 50 5000K	SM Standard Medium MM Medium Medium HM High Medium

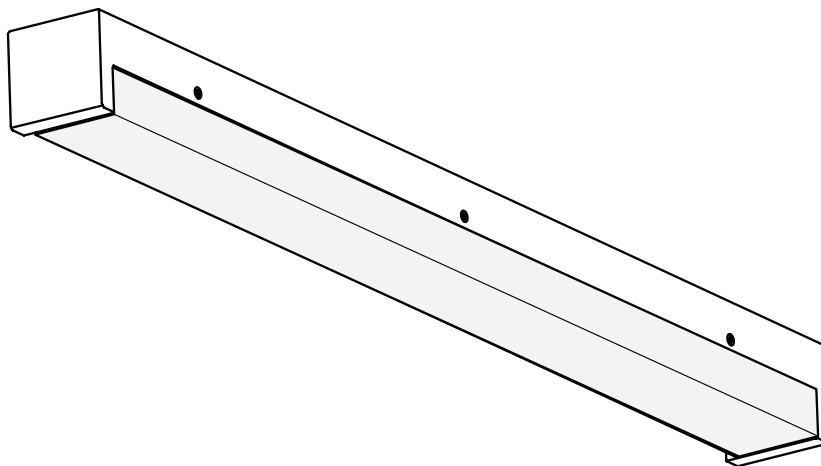
NOTES:

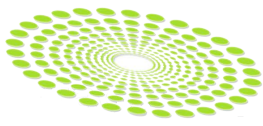
BAIW2 - 2' & **BAIW3** - 3' only available up to **HL** - High Low

LENS	VOLTAGE	DRIVER	OPTIONS
S Satin Lens	M 120/277V	BLANK* 0-10V Dimming Driver (included standard)	12EBL 1200 Lumen Emergency Ballast
125P .125 Clear Poly.		CD1 0-10V 1% to off Dimming Driver	O1 Internal Occupancy Sensor (behind lens), connected to one LED module.
187P .187 Clear Poly.		CD5 0-10V 5% to off Dimming Driver	O2 Internal Occupancy Sensor (behind lens), connected to two LED modules.
		EDN Electronic Driver Non-Dimming	SP Stainless steel, painted housing
		FLDD Fifth Light Dali, Dimming	SB Stainless steel, brushed housing
		LDE1 Lutron Hi-lume 1% EcoSystem LED driver with Soft-on, Fade-to-Black dimming technology	WG White gloss finish on exposed surfaces.
		LDE5 Lutron LDE5 5-Series Ecosystem 5% Dimming	AP Anti-Microbial white painted finish
			WL Wet Location
			NPS Non-tamper proof screws
			90 90 CRI
			VDO Lutron Vive Integral RF controller with daylight and occupancy sensing.
			120FCJSO Lutron Vive attached RF fixture controller 0-10V/277V
			EA End Access (For continuous runs and conduit entry)

*0-10V 10% dimming driver (no dim to off) standard with SL-ML outputs. (4650 - 7974 lumens)

*0-10V 1% to off dimming driver standard with HL- HH outputs. (11150 - 25000 lumens)

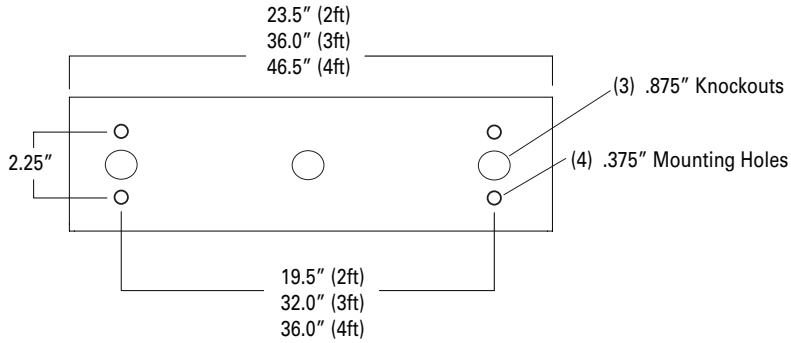




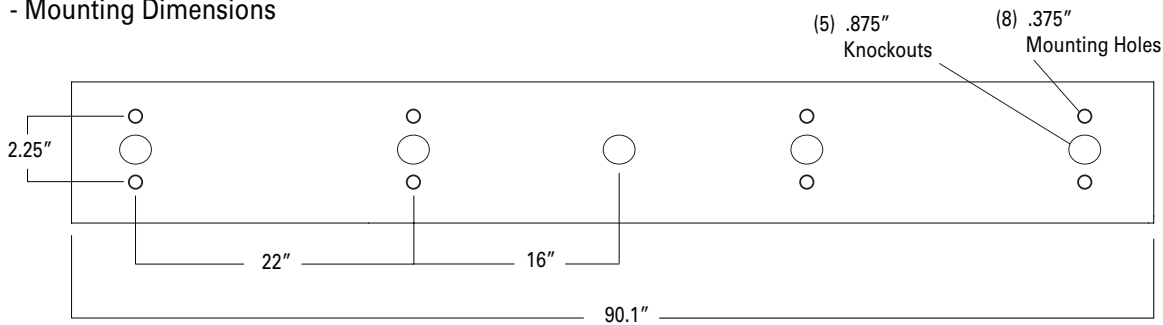
Catalog Number
Project
Type

MOUNTING DIMENSIONS

2', 3', 4' - Mounting Dimensions



8' - Mounting Dimensions



WALL MOUNT

