

BAI

LED Prison Grade
Ceiling Mount Luminaire



STANDARD

OPTIONAL



Approximate Color Temperature Multiplier	
5000K	1.03
4000K	1
3500K	0.97
3000K	0.94
2700K	0.91

Output	Delivered Lumens	System Wattage	L70 @45°C (hrs)
SL	4650	33	>100K
ML	7974	57	>100K
HL	11150	80	>100K
SM	12040	86	>100K
MM	13016	93	>100K
HM	15728	112	>100K

* Delivered Lumens shown were tested with 4000K LEDs

SPECIFICATIONS

DESCRIPTION

The BAI is a prison grade, vandal resistant, ceiling mounted luminaire. Engineered for high abuse areas, the BAI is a durable, sleek, and efficient fixture. The BAI is a perfect combination of strength and aesthetics. An excellent choice for locations such as prisons, stairwells, schools, restrooms, storage facilities, dormitories, hallways, shower facilities, and locker rooms.

FINISH

Powder-coated white finish, with anti-microbial white available. For additional finish options, consult factory.

HOUSING

16 gauge steel, with welded and ground ends. Stainless steel and Marine Grade .063" aluminum construction available with options. Fixture is available with knockouts on ends for continuous run/conduit entry.

ELECTRICAL SYSTEM

0-10V 1% dimming driver included standard, 120/277V. Long-life LED system is rated for >100K life hours (L70 @ 45°C). Complies with federal energy efficiency standards.

LENS OPTIONS

The MLC housing options includes a double wall lens channel captive lens that prevents unwanted penetration. With screws along each side, the MLC ensures maximum lens captivation.

LENS

UV stabilized, impact-resistant clear polycarbonate lens available in .125" and .187" thickness, UV stabilized, impact-resistant frosted polycarbonate lens available in .125" thickness. UV stabilized, impact-resistant prismatic polycarbonate lens available in .125" thickness. For additional lens options, consult factory.

LISTINGS

UL listed for damp location.
Wet location optional.
Manufactured in Fort Worth, TX.

FASTENERS

Captive, stainless steel tamper proof, T20 TORX head screws prevent unauthorized access.

LED

80 CRI or 90 CRI LEDs available in 2700K, 3000K, 3500K, 4000K and 5000K. Life is >100,000 hours at 70% lumen maintenance.

GASKET

One-piece closed cell silicone gasket seals lens to housing.

WARRANTY

5 - Year Limited Warranty. Complete warranty and terms located at: www.aelnow.com/warranty

ORDERING INFORMATION

Example: BAI4-MLC-40-SL-FP125-M

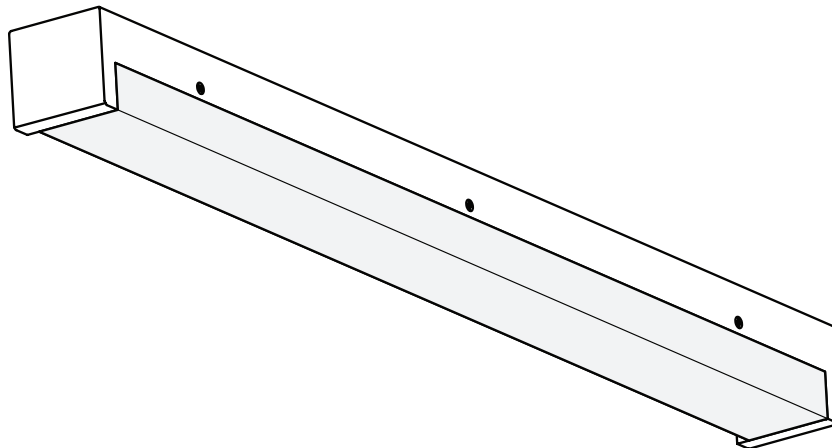
SERIES	TAMPER-PROOF OPTIONS	CCT	ILLUMINATION LEVEL
BAI2 2'	MLC Tamper-Resistant Screws Along Each Side to Ensure Security	27 2700K	SL Standard Low
BAI3 3'		30 3000K	ML Medium Low
BAI4 4'	NTP Non Tamper-Resistant Screws Along Each Side to Ensure Security	35 3500K	HL High Low
BAI6 6'		40 4000K	SM Standard Medium
BAI8 8'		50 5000K	MM Medium Medium HM High Medium

NOTES:

BAI2 - 2' is only available up to ML - 7974 lumens

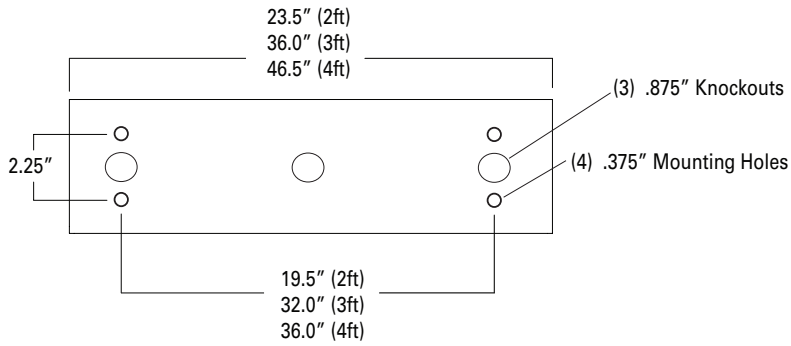
BAI3 - 3' only available up to HL - High Low

LENS	VOLTAGE	DRIVER	OPTIONS
125P .125 Clear Polycarbonate	M 120/277V	BLANK 0-10V 1% Dimming Driver (included standard)	12EBL 1200 Lumen Emergency Ballast
187P .187 Clear Polycarbonate		CD5 0-10V 5% to off Dimming Driver	IS Internal Occupancy Sensor (ON/OFF)
FP125 .125 Frosted Polycarbonate		EDN Electronic Driver Non-Dimming	SP Stainless Steel Housing - Painted
PP125 .125 Prismatic Polycarbonate		FLDD DALI 1% Dimming Driver	SB Stainless Steel Housing - Brushed
		LDE1 Lutron Hi-lume 1% EcoSystem LED driver with Soft-on, Fade-to-Black dimming technology	ALH Marine Grade Aluminum Housing - Painted
		LDE5 Lutron LDE5 5-Series Ecosystem 5% Dimming	AM Anti-microbial White Paint
			90 90 CRI
			VDO Lutron Vive Integral RF Controller with Daylight and Occupancy sensing.
			KO1 KO on One End
			KO2 KO on Both Ends

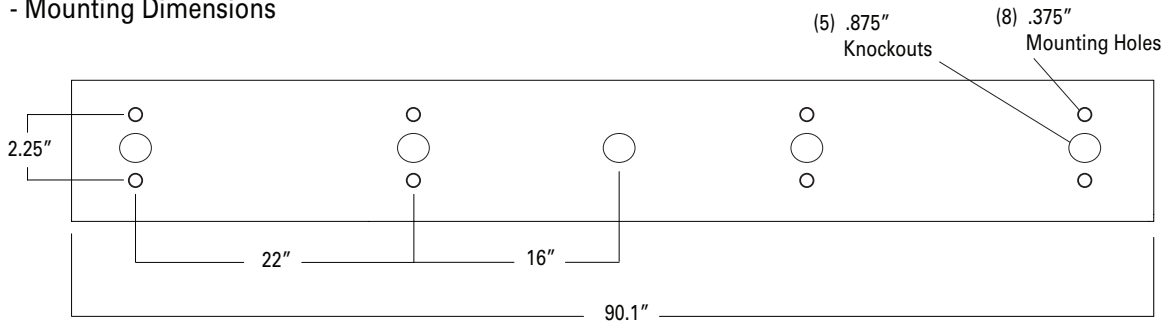


MOUNTING DIMENSIONS

2',3',4' - Mounting Dimensions



8' - Mounting Dimensions



CEILING

