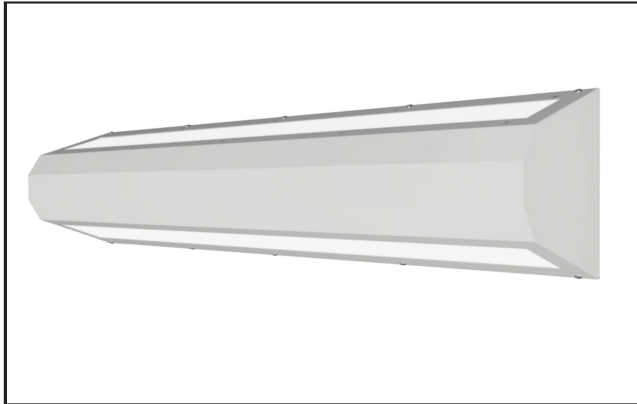


# BAH

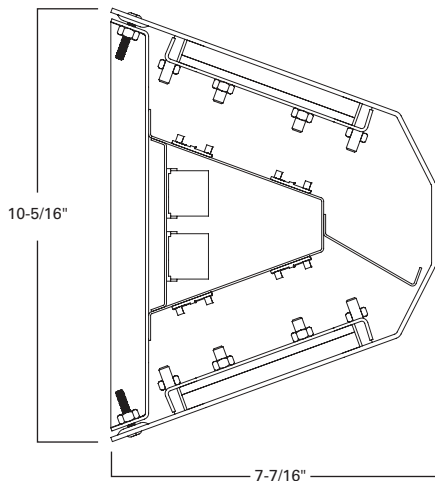
LED Wall Mount Prison Grade



STANDARD



OPTIONAL



## SPECIFICATIONS

### DESCRIPTION

The BAH LED combines maximum security construction with energy saving technology. The BAH utilizes one piece clamshell housing as well as security lensing and tamper resistant fasteners for impact resistance and prevent contraband concealment and unwanted fixture penetration. The BAH is ideal for confinement/security applications. Suitable for use in inmate cells, psychiatric wards, secure corridors and general population areas. UL listed for damp locations. Anti-ligature design. Available in continuous runs, use option BAHCR.

### FASTENERS

Stainless steel tamper-resistant T20 TORX screws standard. Allen-head screws with center reject pin optional.

### ELECTRICAL SYSTEM

0-10V 1% dimming driver included standard. Long-life LED system rated for >100K life hours (L70 @ 25°C). Complies with federal energy efficiency standards.

### OPTICAL SYSTEM

Various choices of inner and outer lenses. If additional lens options are required, consult factory.

### LISTINGS

UL listed for damp locations. Wet location optional. Made in the USA, BAA compliant.

### FINISH

High gloss, electrostatically applied, white powder coat finish, average minimum reflectance 92%. Anti-microbial paint optional.

### HOUSING

Various housing material options, consult factory if additional options not listed are needed. 14 Gauge backplate standard. Clamshell design with continuous welded and ground ends to form a one-piece, seamless, doorless housing which maximizes impact resistance and prevents contraband concealment, as well as unauthorized fixture penetration. Anti-ligature design. Stainless-steel aircraft cables attach housing to back plate.

### LED

80 CRI or 90 CRI LEDs available in 2700K, 3000K, 3500K, 4000K and 5000K. Life is >100,000 hours at 70% lumen maintenance.

### BACKPLATE

Die-formed 14 ga. steel backplate forms an irretrievable blade trap to prevent contraband concealment.

### WARRANTY

5 - Year Limited Warranty. Complete warranty and terms located at: [www.aelnow.com/warranty](http://www.aelnow.com/warranty)

Output	Delivered Lumens	System Wattage	L70 @20C (hrs)
SL	4650	33	>100K
ML	7974	57	>100K
HL	11150	80	>100K
SM	12040	86	>100K
MM	13016	93	>100K
HM	15728	112	>100K

\* Delivered Lumens shown were tested with 4000K LEDs

Approximate Color Temperature Multiplier	
5000K	1.03
4000K	1
3500K	0.97
3000K	0.94
2700K	0.91

## ORDERING INFORMATION

Example: BAH4-ML-40-20/80-PA125-250P-B16-M

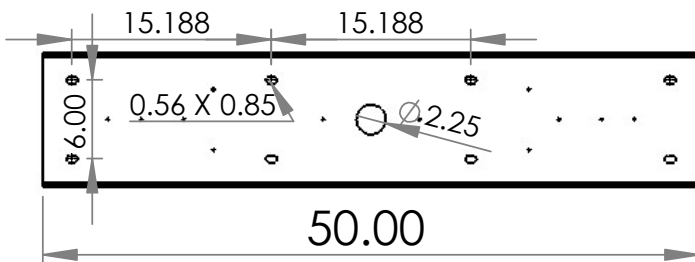
Custom Lumen Output Example: BAH4-ML-40-20/80-PA125-250P-B16-M-6000 for 6000 lumens

SERIES	ILLUMINATION LEVEL	CCT	UP/DOWN DISTRIBUTION	INNER LENS	OUTER LENS	
BAH2	2'	SL Standard Low	27 2700K	0/100 0% Up/100% Down	PA125 .125 Prismatic Acrylic	125P .125 Clear Polycarbonate
BAH3	3'	ML Medium Low	30 3000K	10/90 10% Up/90% Down	PA156 .156 Prismatic Acrylic	187P .187 Clear Polycarbonate
BAH4	4'	HL High Low	35 3500K	20/80 20% Up/80% Down	PP125 .125 Prismatic Polycarbonate	250P .250 Clear Polycarbonate
		SM Standard Medium	40 4000K	30/70 30% Up/70% Down	PP156 .156 Prismatic Polycarbonate	375P .375 Clear Polycarbonate
	MM Medium Medium	50 5000K	40/60 40% Up/60% Down	PP187 .187 Prismatic Polycarbonate	F1 .187 Clear Tempered Glass	
	HM High Medium		50/50 50% Up/50% Down		G1 .250 Clear Tempered Glass	
	SH Standard High		60/40 60% Up/40% Down		H1 .375 Clear Tempered Glass	
	MH Medium High		70/30 70% Up/30% Down		I1 .500 Clear Tempered Glass	
	HH High High		80/20 80% Up/20% Down			
			90/10 90% Up/10% Down			
			100/0 100% Up/0% Down			

HOUSING	DRIVER	VOLTAGE	CIRCUITS	OPTIONS
B14 14 Gauge Cold Roll Steel	BLANK 0-10V 1% Dimming Driver (included standard)	M 120/277V	1 1 Circuit	12EBL 1200 Lumen Emergency Ballast
B16 16 Gauge Cold Roll Steel	CD5 0-10V 5% to off Dimming Driver		2 2 Circuits	AM Anti-microbial Matte White Paint
B18 18 Gauge Cold Roll Steel	EDN Electronic Driver Non-Dimming			B Brushed (Stainless Steel Only)
SH14 14 Gauge Stainless Steel	FLDD Fifth Light Dali, Dimming			NTP Non-tamper Proof Fasteners (Phillips-head screws)
SH16 16 Gauge Stainless Steel	LDE1 Lutron Hi-lume 1% EcoSystem LED driver with Soft-on, Fade-to-Black dimming technology			AH Allen Head Screws With Center Pin Reject
SH18 18 Gauge Stainless Steel	LDE5 Lutron LDE5 5-Series Ecosystem 5% Dimming			LN LED Night Light
				FZ Fuse Holder
				90 90 CRI
				WL Wet Location
				VDO Lutron Vive integral fixture controller (RF with daylight and occupancy sensing)
				BAHCR Continuous Run Ready

## MOUNTING DIMENSIONS

BAH4



BAH2

