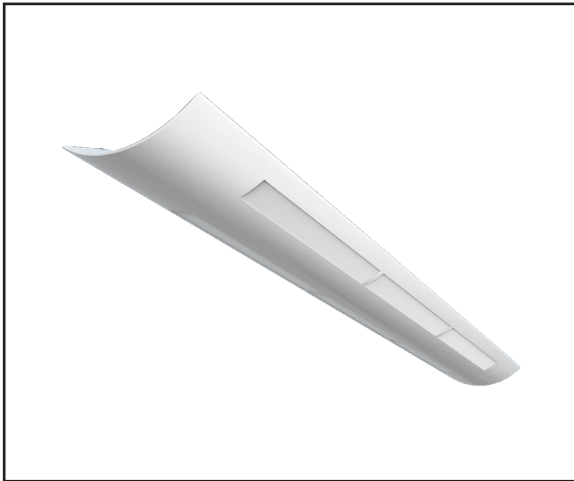


Catalog Number
Project
Type

# ASP

## Slotted Fluorescent Pendant Mount Linear Luminaire



### PRODUCT SPECIFICATIONS

#### DESCRIPTION

The ASP Series is a Fluorescent Pendant Mount Linear Luminaire available for stand-alone or continuous run applications. Driven by performance and a clean aesthetic, the ASP Series represents the ultimate in simplicity; a narrow, uniform line of light. Constructed with premium materials and industry leading technology, the ASP integrates seamlessly with today's modern building management systems.

#### APPLICATIONS

The ASP Series are designed to be high quality fluorescent fixtures for use in corridors, offices, government facilities, schools, and public areas.

#### CONSTRUCTION

Our ASP is constructed of a heavy gauge cold rolled steel body. Units are shipped with die cast aluminum joiners installed for structural continuity and for attaching other units for continual runs or end caps. Architectural ends. There are two die cast aluminum designs available, "spade" and "bull-nose" configurations. They are bolted to the die cast joiners for a complete architectural look.

#### OPTICAL SYSTEM

White polyester polymer finish with a high reflectivity. A computer designed optical system that maximizes the output of the lamps producing very wide distribution for even ceiling brightness with mounting from 12 to 18 inches from the ceiling.

#### ELECTRICAL SYSTEM

Standard 120-277V electronic instant start ballasts for T8 lamping, ≤10% THD. Standard 120-120-277V electronic program start ballasts T5 lamping, ≤10% THD. 50-60 Hz operation. Sound rated A. Thermally protected. Automatic resetting Class P. High Power Factor. Non PCB.

#### MOUNTING

Designed to mount on exact 4 foot and 8 foot centers. Joiners will accept stems, single cable and power cords as supplied by others.

#### LISTINGS

UL and cUL Listed. Damp location rated.

#### WARRANTY

5-Year Limited Warranty. Complete warranty and terms located at [www.aelnow.com/warranty](http://www.aelnow.com/warranty).

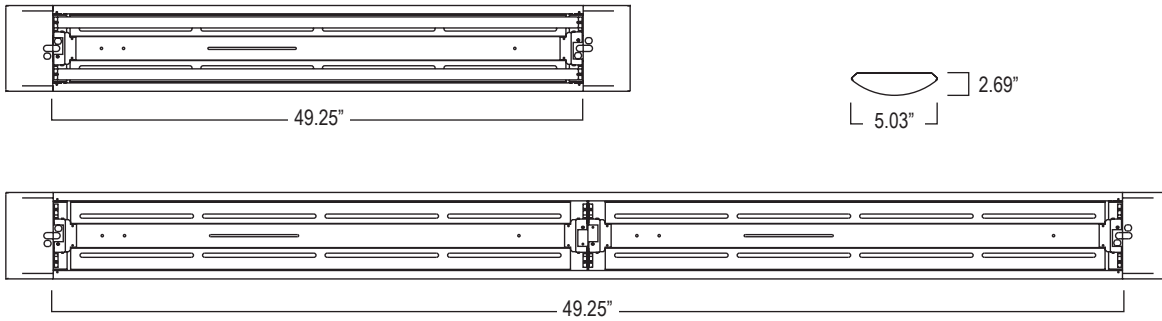
### ORDERING INFORMATION

Example: ASP232NM  
End Caps: ECS, ECB  
Options: EM7, CP100, CPPF100

SERIES	NUMBER OF LAMPS	WATTAGE	HOUSING	VOLTAGE	END CAPS
ASP Single	2 2 Lamps	28T8 28W T5 (48")	S Slotted on Sides	M Multi-Volt (120-277VAC)	ECS Spade Nose End Cap (one)
ASPT Tandem		28T5 28W T5 (46") 32 32W T8 (48") 54 54W T5HO (46")	N No Slots on Sides		ECB Bull Nose End Cap (one)

BALLAST OPTIONS	EMERGENCY OPTIONS	HANGING OPTIONS	WIRING HARNESS OPTIONS
(Blank) Normal Instant Start L Low Instant Start H High Instant Start EBPL Electronic Ballast Program Low EBPN Electronic Ballast Program Normal EBPH Electronic Ballast Program High CD2LT8 Continuous Dimming 2 Lamp T8 CD2LT5 Continuous Dimming 2 Lamp T5 SD2LT8 Step Dimming 2 Lamp T8 SD2LT5 Step Dimming 2 Lamp T5 FB* Internal Fast-Blow Fuse SB* Internal Slow-Blow Fuse	EM5 90 Min, 500 Lumen Emergency Ballast (T8) EM7 90 Min, 700 Lumen Emergency Ballast (T8) EM14 90 Min, 1400 Lumen Emergency Ballast (T8) EM14T5 90 Min, 1400 Lumen Emergency Ballast (T5)	CP50 Cord Pendant (No Power Feed) 50' CP100 Cord Pendant (No Power Feed) 100' CPPF50 Cord Pendant (Power Feed Capable) 50' CPPF100 Cord Pendant (Power Feed Capable) 100' RPXX Rigid Pendant (Power Feed Capable) - Specify Pendant Length (XX) CPPF5W100 Cord Pendant (Power Feed Capable) 5-Wire, 100'	WH34 Wiring Harness; 3-Wire 4-Foot WH44 Wiring Harness; 4-Wire 4-Foot WH54 Wiring Harness; 5-Wire 4-Foot WH38 Wiring Harness; 3-Wire 8-Foot WH48 Wiring Harness; 4-Wire 8-Foot WH58 Wiring Harness; 5-Wire 8-Foot

**FIXTURE DIMENSIONS**



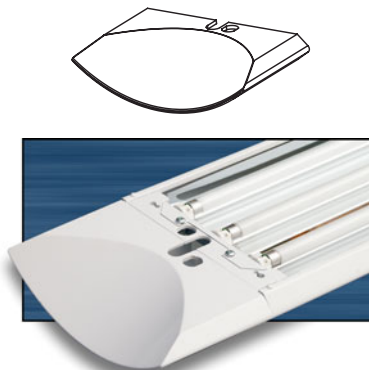
ECS Spade Nose End Caps add 4.25" per end to overall length.  
 ECB Bull Nose End Caps add 3.00" per end to overall length.

**END CAPS**

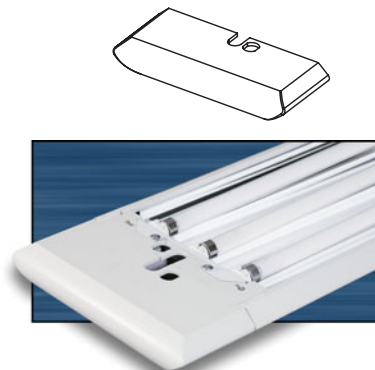
End Caps should be ordered 2 per fixture for stand-alone fixtures or 2 per row for continuous linear rows (# of fixtures x 2, or # of rows x 2). Joiner Plates should be ordered as 1 per the number of fixtures in each row minus 1 (# of fixtures per row minus one)

Part Number	Description
ECS	Spade Nose End Cap (one)
ECB	Nose End Cap (one)

Spade Nose End Cap



Bull Nose End Cap

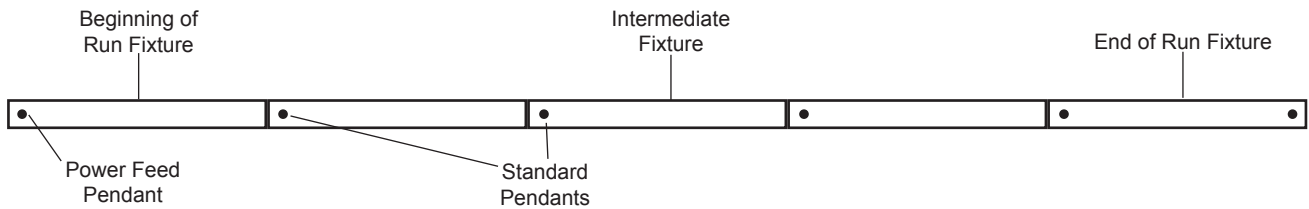


**ROW CONFIGURATIONS**

AEL would like to double check your Bill of Material upon placement of your order if the number of rows and their individual row lengths are provided on the purchase order as follows:

- Row 1 - 8'
- Row 2 - 8'
- Row 3 - 24'
- Row 4 - 24'

Please provide any additional pertinent information such as additional power drops required mid-row.



	Row Length	4'	8'	12'	16'	20'	24'	28'	32'	36'	40'	44'	48'
Fixture Length	4'	1		1		1		1		1		1	
	8'		1	1	2	2	3	3	4	4	5	5	6
Total Pendants Needed		2	2	3	3	4	4	5	5	6	6	7	7

**PENDANT ORDERING DETAIL**

A standard mounting pendant is needed for each fixture, plus one pendant with power feed capability per continuous row or circuit. Contact your AEL representative for additional information.

Pendant	Length
<b>RP</b> Rigid Pendant (Power Feed Capable)	<b>XX</b> Specify Pendant Length (Replace "XX" with Row Length. Must Be Ordered in 1' Increments)
<b>CP</b> Cord Pendant (No Power Feed)	
<b>CPPF</b> Cord Pendant (Power Feed Capable)	

