

AFL302 Landscape LED



STANDARD

DESCRIPTION

The AFL302 LED Wall Wash Accent Light features high power LEDs integrated into a rectangular housing, creating an even spread of light across walls, trees, or architectural details. It also provides widespread landscape lighting to effectively wash out darkness and offer a safer outdoor space. The AFL302 comes standard with wet location field adjustable wattage for on-site light customization 7 watt = 420lm 10 watt = 570lm at 3500K.

ELECTRICAL SYSTEM

120V AC LED, 60 Hz, HPF, 50,000 HRS L70* AMBIENT OP TEMP -40°C (-40°F) TO +50°C (122°F).

MOUNTING

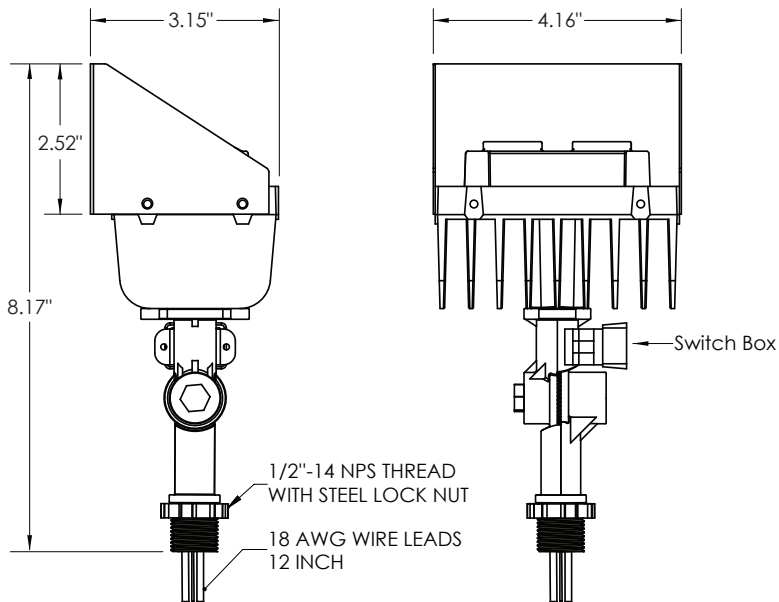
The die cast aluminum mount is secured to the heat sink by stainless steel screws and is sealed with an integral o-ring.

WARRANTY

3 - Year Limiter Warranty. Complete warranty and terms located at: www.aelnow.com/warranty



AFL302 Dimensions



AFL302 Features

- 120V LED Landscape
- Flood Die Cast Aluminum Housing
- Powdercoated Finish
- Convex Reduced Glare Acrylic
- Lens Hi/Low Switch Dual Bright Option
- ETL Listed for Wet Locations (IP67)

Series	CCT	Illumination Level	Housing	Lens	Options
AFL302	35 3500K	S 7W/10W	BRZ Bronze	Blank Clear	AFLSH 4 Sided Shield
	57 5700K		BLK Black		AFLSH3 3 Sided Shield
			W White		L2SP Surge Protector
			GR Green		L2TRB Tree Base
					L2MH Myers Hub

