

# LED Disk Light Installation Instructions

## WARNING:

- Read all instruction before installation.
- System is intended for installation by a qualified electrician in accordance with the National Electrical Code and local regulations.
- Go to the main fuse box, or circuit breaker. Place the main power switch in the "OFF" position and unscrew the fuse(s) or switch "OFF" the circuit breaker switch(es) that control the power to the fixture or room that you are working on.
- Place the wall switch in the "OFF" position.
- Supply conductors (Power Wires) Connecting the fixture must be rated minimum 90°C. If uncertain, consult an electrician.
- The luminaire should be installed by a licensed electrician.

## CAUTIONS

- These luminaires (fixtures) are designed to meet the latest NEC requirements and are listed in full compliance with ETL list.
- Before attempting installation, check your local electrical code, as it sets the wiring standards for your locality.

## INSTALLATION

### Over standard electrical junction box

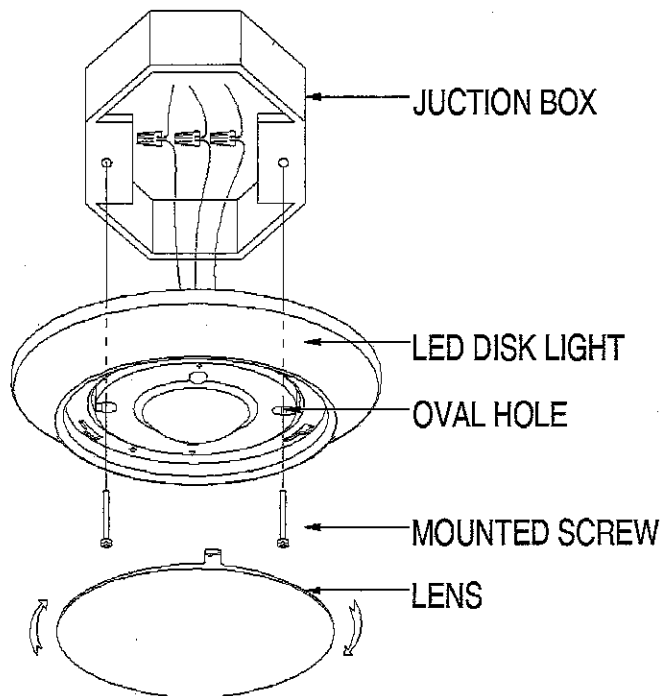
1. Provide electrical service according to the "National Electrical Code" or your local electrical code to the outlet box.
2. Connect supply wires to fixture wires and insulate with proper size wire nuts
3. Connect incoming ground wire (green or bare) to fixture ground wire (green or bare).
4. Connect incoming common (white) wire to fixture common (white).
5. Connect incoming hot (typically black) wire to fixture black wire.
6. Raise the disk light to the junction box and tighten screws.

### LENS INSTALLATION

Twist the lens clockwise on disk light metal enclosure and lock the lens in place.

### CAULKING AROUND THE FIXTURE (OPTIONAL)

Apply silicone caulk around the edges of the coverplate to provide a watertight seal from rain and moisture.



## Compatible Dimmers

Brands	Model	Dimmer Type	Min Flux (%)
Cooper	DAL06P	Leading	0.98%
Cooper	TAL06P	Leading	0.00%
Cooper	SAL06P	Leading	0.40%
Leviton	IP108-1LZ	Leading	2.16%
Leviton	6602	Leading	0.00%
Leviton	6633	Leading	0.00%
Leviton	6681	Leading	0.00%
Leviton	6683	Leading	0.00%
Leviton	6672	Leading	2.18%
Leviton	6674	Leading	2.63%
Leviton	6631	Leading	0.00%
LUTRON	DV-600P-IV	Leading	0.00%
LUTRON	AY-600P-IV	Leading	0.00%
LUTRON	DV-600PR-WH	Leading	0.00%
LUTRON	DV-600PR-LA	Leading	0.00%
LUTRON	TG-600PR-LA	Leading	0.50%
LUTRON	CTCL-153P	Leading	0.00%
LUTRON	MACL-153MH-WH	Leading	2.69%
LUTRON	DVELV-300P	Trailing	3.14%