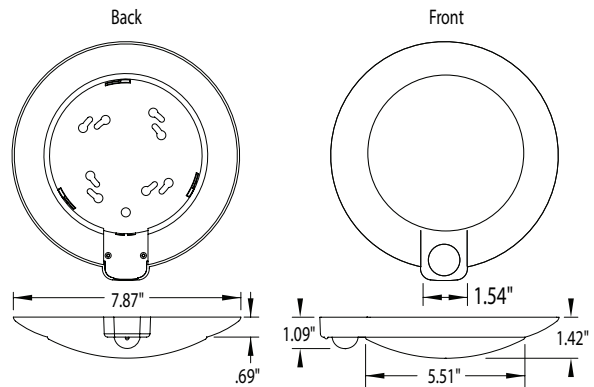


AE57

Designer Motion Sensor Ceiling Luminaire



The AE57 is a beautifully designed LED ceiling fixture that comes with a built in occupancy sensor and indicator light. Dimmable, 90 CRI LEDs provides for incredibly accurate color temperature. Installation is quick and simple, and energy efficient design provides for low-cost operation. Composite construction with a polycarbonate frosted diffuser.



EXAMPLE # AE57-LT800W-WFM

AE57	LIGHT SOURCE	BODY	DIFFUSER
AE57	EOS LED 120V AC, 50/60 Hz, HPF, 50,000 HRS L70*, AMBIENT OP TEMP -40°C TO +40°C, 5 YEAR WARRANTY, DIMMABLE, ENERGY STAR LT800 - 12W, 90 CRI W -1020lm 3000K	ALUMINUM W -White	POLYCARBONATE F - Frost

RoHS compliant

