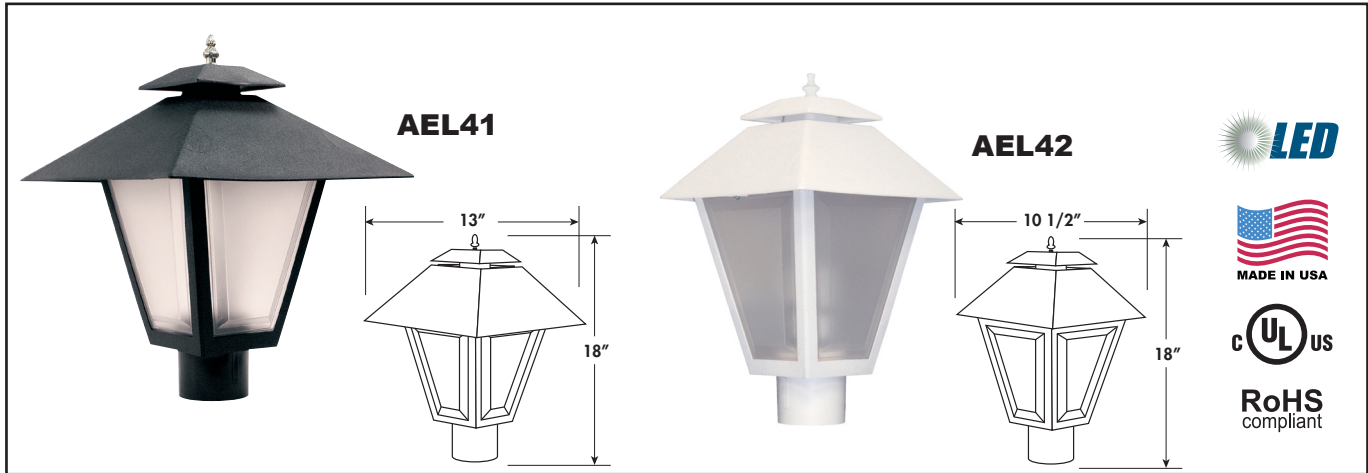


- Available in LED, Incandescent & GU24
- Molded of Durable Non-Corrosive UV Resistant Resins
- Fits Most 3" Diameter Posts
- UL Listed for Wet Locations



EXAMPLE # AEL41-I100-BC-GTLWE

SERIES #	LIGHT SOURCE	BODY	DIFFUSER	OPTIONS
AEL41 AEL42	LED 120V AC, 50/60 Hz, HPF, 50,000 HRS L70*, AMBIENT OP TEMP -40°C TO +40°C, 5 YEAR WARRANTY, DIMMABLE LE800 - 13W Power Input CRI 80 (TYP) >65 Lumens Per Watt** W-900lm 3000K C-1000lm 4000K LE1200 - 14W Power Input CRI 80 (TYP) >80 Lumens Per Watt** W-1350lm 3000K C-1400lm 4000K LE1800 - 23W Power Input CRI 80 (TYP) >80 Lumens Per Watt** W-1850lm 3000K C-1900lm 4000K	W-White B- Black	ACRYLIC C-Clear F- Glare Free Frost	G-Glass Chimney Frosted T- Brass Finial
	INCANDESCENT, MEDIUM BASE, 120V I100- 1 X 100W Max	W-White B- Black	ACRYLIC C-Clear F- Glare Free Frost	G-Glass Chimney Frosted T- Brass Finial LED LAMP, 3 YEAR WARRANTY, DIMMABLE LW-A19/E26, 2700K LC-A19/E26, 4000K
	GU24 BASE, 120V G13-1 X 13W G213- 2 X 13W G18-1 X 18W G218- 2 X 18W	W-White B-Black	ACRYLIC C-Clear F- Glare Free Frost	G-Glass Chimney Frosted T- Brass Finial L-CFL, 2700K

*DATA PER LM79/LM80/TM21 AVAILABLE UPON REQUEST

**ESTIMATED FROM LED SOURCE

AEL -- Advantage Environmental Lighting

Address: 917 West Mayfield, Suite 103
Arlington, TX 76015
Phone: 817-468-3591
Email: info@aelnow.com

Specifications are subject to change without notice.

Catalog #	
Project	
Date	
Type	