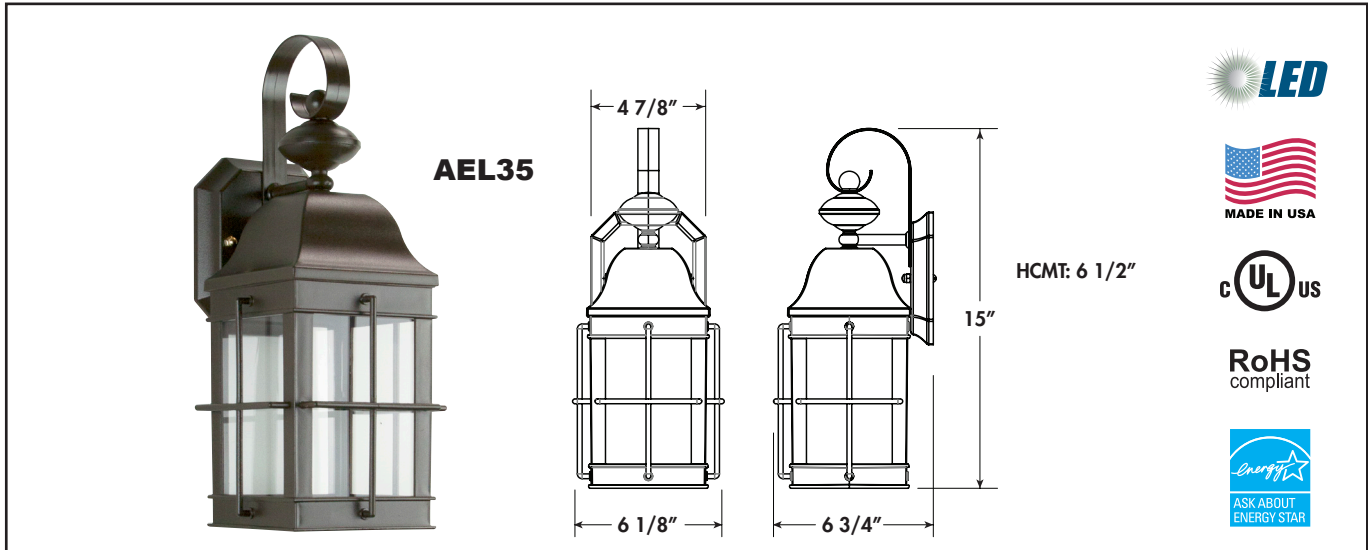


- Available in LED, Incandescent & GU24
- Molded of Durable Non-Corrosive UV Resistant Resins
- Wall Mount
- UL Listed for Wet Locations



**EXAMPLE # AE35-LE800C-BFP**

SERIES#	LIGHT SOURCE	BODY	DIFFUSER	OPTIONS
<b>AE35</b>	<b>LED 120V AC, 50/60 Hz, HPF, 50,000 HRS L70*, AMBIENT OP TEMP -40°C TO +40°C, 5 YEAR WARRANTY, DIMMABLE, ENERGY STAR</b> <b>LE800</b> -13W Power Input CRI 80 (TYP) >65 Lumens Per Watt** <b>W</b> -900lm 3000K <b>C</b> -1000lm 4000K	<b>B</b> -Black <b>W</b> -White <b>Z</b> -Bronze	<b>ACRYLIC</b> <b>F</b> -Glare Free Frost	<b>P</b> -Photocell
	<b>INCANDESCENT, MEDIUM BASE, 120V</b> <b>I60</b> -1 X 60W Max	<b>B</b> -Black <b>W</b> -White <b>Z</b> -Bronze	<b>ACRYLIC</b> <b>F</b> -Glare Free Frost	<b>LED LAMP, 3 YEAR WARRANTY DIMMABLE, ENERGY STAR</b> <b>LWE</b> -A19/E26, 2700K <b>LCE</b> -A19/E26, 4000K
	<b>GU24 BASE, 120V</b> <b>G13</b> -1 X 13W <b>G18</b> -1 X 18W <b>G23</b> -1 X 23W	<b>B</b> -Black <b>W</b> -White <b>Z</b> -Bronze	<b>ACRYLIC</b> <b>F</b> -Glare Free Frost	<b>L</b> -CFL, 2700K

\*DATA PER LM79/LM80/TM21 AVAILABLE UPON REQUEST

\*\*ESTIMATED FROM LED SOURCE

**AEL -- Advantage Environmental Lighting**

Address: 917 West Mayfield, Suite 103  
Arlington, TX 76015  
Phone: 817-468-3591  
Email: info@aelnow.com

Specifications are subject to change without notice.

<b>Catalog #</b>	
<b>Project</b>	
<b>Date</b>	
<b>Type</b>	