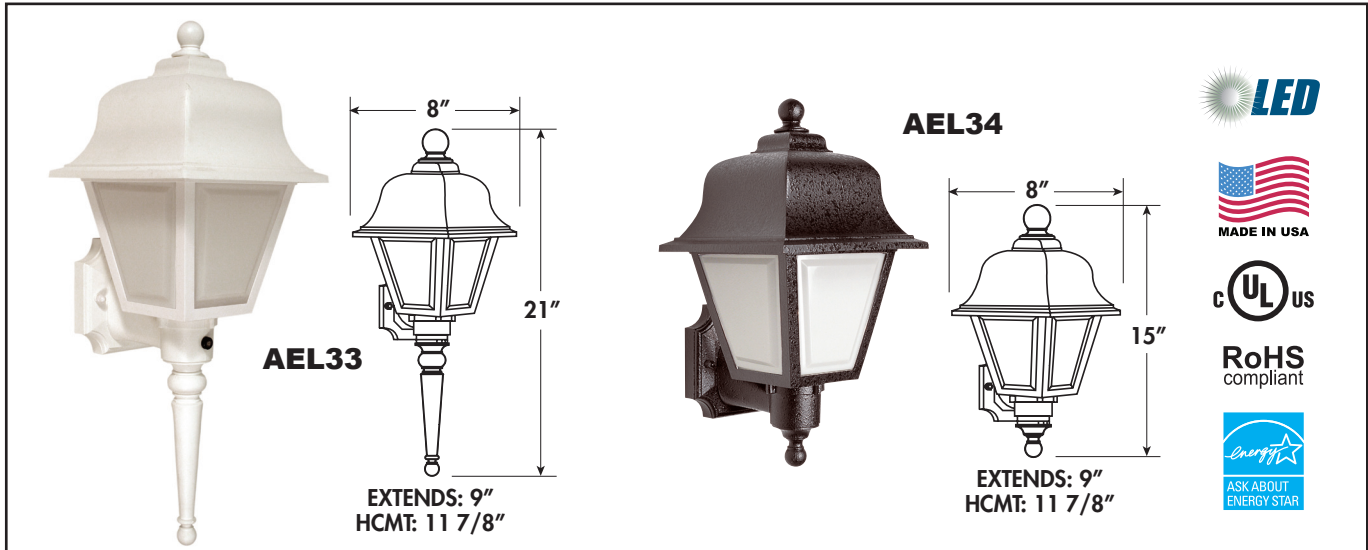


- Available in LED, Incandescent & GU24
- Molded of Durable Non-Corrosive UV Resistant Resins
- Wall Mount Only
- UL Listed for Wet Locations



EXAMPLE # AEL33-LE800C-BWP

SERIES #	LIGHT SOURCE	BODY	DIFFUSER	OPTIONS
AEL33 AEL34	LED 120V AC, 50/60 Hz, HPF, 50,000 HRS L70*, AMBIENT OP TEMP -40°C TO +40°C, 5 YEAR WARRANTY, DIMMABLE, ENERGY STAR	W -White B -Black	ACRYLIC C -Clear W -White F - Glare Free Frost	P -Photocell
	LE800 -13W Power Input CRI 80 (TYP) >65 Lumens Per Watt**	W -900lm 3000K C -1000lm 4000K		
	INCANDESCENT, MEDIUM BASE, 120V I60 -1 X 60W Max		ACRYLIC C -Clear W -White F - Glare Free Frost	P -Photocell LED LAMP, 3 YEAR WARRANTY DIMMABLE, ENERGY STAR LWE -A19/E26, 2700K LCE -A19/E26, 4000K
GU24 BASE, 120V G13 -1 X 13W G18 -1 X 18W G23 -1 X 23W G26 -1 X 26W or 27W		W -White B -Black	ACRYLIC C -Clear W -White F - Glare Free Frost	P -Photocell L -CFL, 2700K

*DATA PER LM79/LM80/TM21 AVAILABLE UPON REQUEST

**ESTIMATED FROM LED SOURCE

AEL -- Advantage Environmental Lighting

Address: 917 West Mayfield, Suite 103
Arlington, TX 76015
Phone: 817-468-3591
Email: info@aelnow.com

Specifications are subject to change without notice.

Catalog #	
Project	
Date	
Type	