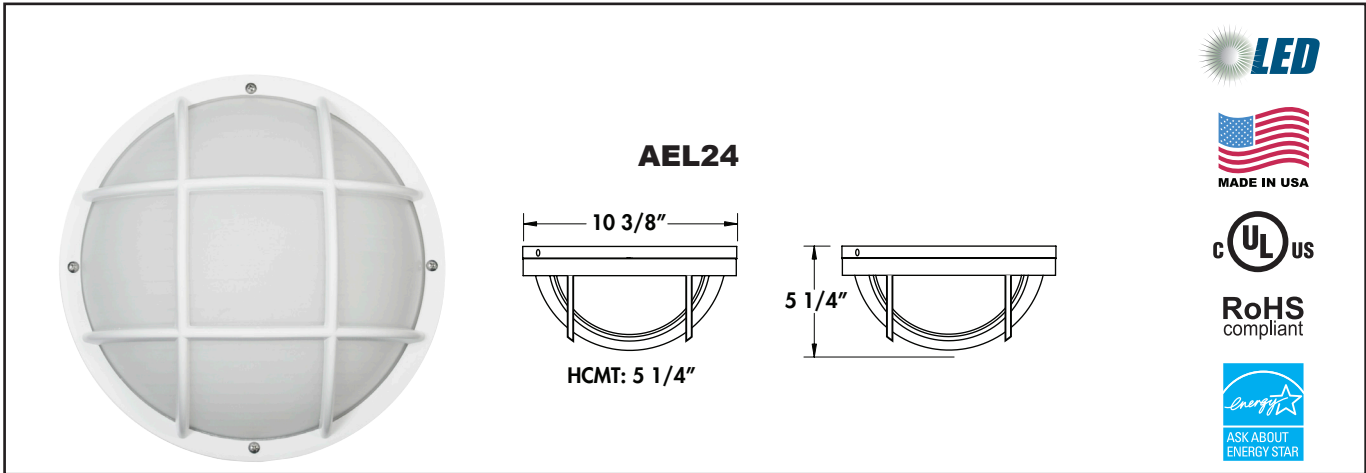


- Available in LED & GU24
- Molded of Durable Non-Corrosive UV Resistant Resins with Powder Coated Aluminum Base
- Wall or Ceiling Mount
- UL Listed for Wet Locations



EXAMPLE # AEL24-G13-BFPL

SERIES #	LIGHT SOURCE	BODY	DIFFUSER	OPTIONS	
AEL24	LED 120V AC, 50/60 Hz, HPF, 50,000 HRS L70*, AMBIENT OP TEMP -40°C TO +40°C, 5 YEAR WARRANTY, DIMMABLE, ENERGY STAR	W -White B - Black	POLYCARBONATE F -Frosted	P -Photocell	
	LE800 - 13W Power Input CRI 80 (TYP) >65 Lumens Per Watt**				W -900lm 3000K C -1000lm 4000K
	LE1200 - 14W Power Input CRI 80 (TYP) >80 Lumens Per Watt**				W -1350lm 3000K C -1400lm 4000K
	MULTI-VOLT LED 120-277V, 50/60 Hz, CONSTANT CURRENT AT 700mA, DRIVER UL CLASS 2, HPF, THERMALLY PROTECTED ARRAY, 50,000 HRS L70* AMBIENT OP TEMP -40°C TO +40°C, 3 YEAR WARRANTY, ENERGY STAR	W -White B - Black	POLYCARBONATE F -Frosted	P -Photocell	
L1800 - 22W Power Input CRI 74 (TYP) >82 Lumens Per Watt**	C -1824lm 4000K				
	GU24 BASE, 120V G13 -1 X 13W G213 - 2 X 13W G18 -1 X 18W G218 - 2 X 18W G23 -1 X 23W G26 -1 X 26W or 27W	W -White B -Black	POLYCARBONATE F -Frosted	P -Photocell L -CFL, 2700K	

*DATA PER LM79/LM80/TM21 AVAILABLE UPON REQUEST

**ESTIMATED FROM LED SOURCE

AEL -- Advantage Environmental Lighting

Address: 917 West Mayfield, Suite 103
 Arlington, TX 76015
 Phone: 817-468-3591
 Email: info@aelnow.com

Specifications are subject to change without notice.

Catalog #	
Project	
Date	
Type	