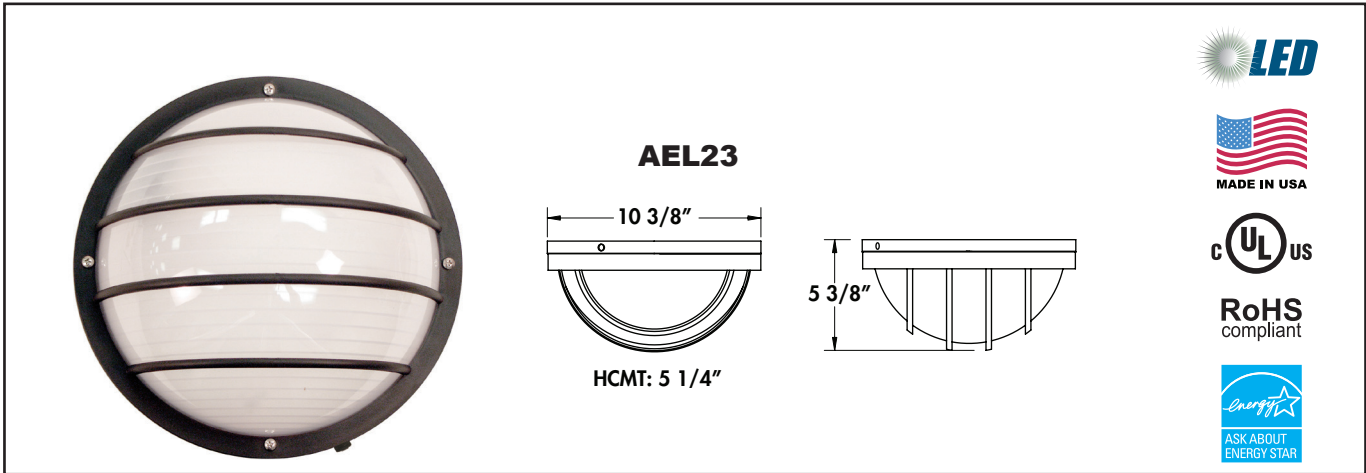


- Available in LED & GU24
- Molded of Durable Non-Corrosive UV Resistant Resins with Powder Coated Aluminum Base
- Wall or Ceiling Mount
- UL Listed for Wet Locations



EXAMPLE # AEL23-LE800C-BFP

SERIES#	LIGHT SOURCE	BODY	DIFFUSER	OPTIONS
AEL23	LED 120V AC, 50/60 Hz, HPF, 50,000 HRS L70*, AMBIENT OP TEMP -40°C TO +40°C, 5 YEAR WARRANTY, DIMMABLE, ENERGY STAR	W-White B- Black	POLYCARBONATE F-Frosted	P-Photocell
	LE800 - 13W Power Input W-900lm 3000K CRI 80 (TYP) C-1000lm 4000K >65 Lumens Per Watt**			
	LE1200 - 14W Power Input W-1350lm 3000K CRI 80 (TYP) C-1400lm 4000K >80 Lumens Per Watt**			
	LE1800 - 23W Power Input W-1850lm 3000K CRI 80 (TYP) C-1900lm 4000K >80 Lumens Per Watt**			
	MULTI-VOLT LED 120-277V, 50/60 Hz, CONSTANT CURRENT AT 700mA, DRIVER UL CLASS 2, HPF, THERMALLY PROTECTED ARRAY, 50,000 HRS L70* AMBIENT OP TEMP -40°C TO +40°C, 3 YEAR WARRANTY, ENERGY STAR	W-White B- Black	POLYCARBONATE F-Frosted	P-Photocell
	L1800 - 22W Power Input C-1824lm 4000K CRI 74 (TYP) >82 Lumens Per Watt**			
	GU24 BASE, 120V G13-1 X 13W G213- 2 X 13W G18-1 X 18W G218- 2 X 18W G23-1 X 23W G26-1 X 26W or 27W	W-White B-Black	POLYCARBONATE F-Frosted	P-Photocell L-CFL, 2700K

*DATA PER LM79/LM80/TM21 AVAILABLE UPON REQUEST

**ESTIMATED FROM LED SOURCE

AEL -- Advantage Environmental Lighting

Address: 917 West Mayfield, Suite 103
 Arlington, TX 76015
 Phone: 817-468-3591
 Email: info@aelnow.com

Specifications are subject to change without notice.

Catalog #	
Project	
Date	
Type	