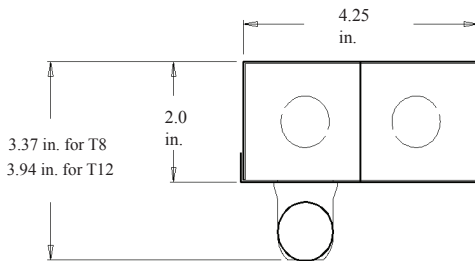
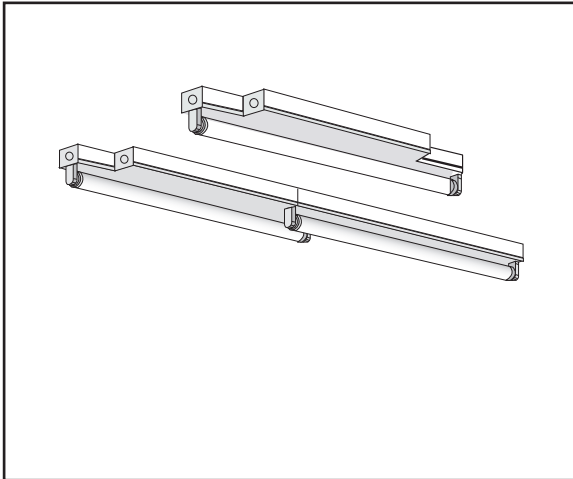


Catalog Number
Project
Type

1ST Series

1-Light Staggered Fluorescent Strip Luminaire



PRODUCT SPECIFICATIONS

The 1ST Series is a 1-Lamp Staggered Fluorescent Strip available in 2' through 8' body lengths. It was designed for surface or suspended mounting applications. Outdoor facilities, high rise garages, building exteriors, educational facilities, recreational facilities, and other intensive use environments are the perfect types of environments for our 1ST. The staggered lamp concept allows for a continuous row of illumination when ran end to end to eliminate dark spots in signs, and continuous run applications, such as cove lighting.

APPLICATIONS

The 1ST Series of Fluorescent Strips were designed to be high quality, energy efficient fluorescent fixtures for use in commercial applications, offices, government facilities, schools, and public areas.

CONSTRUCTION

The fixture is constructed of a heavy gauge cold rolled steel body. 4" offset provides even, shadow-free lighting in continuous row installations.

OPTICAL SYSTEM

White polyester polymer finish with a high reflectivity. Multiple lamp configurations. Pre-painted 93% high-reflective finish for maximum light output.

ELECTRICAL SYSTEM

Standard 120-277V electronic instant start ballasts for T8 lamping, ≤10% THD. Standard 120-277V electronic program start ballasts for T5 lamping, ≤10% THD. 50-60 Hz operation. Sound rated A. Thermally protected. Automatic resetting Class P. High Power Factor. Non PCB.

ACI BH-B;

Surface or pendant mount, individually or in continuous rows. Sufficient knockouts are provided. Double KO access on 4 ft and longer to facilitate wiring of units for multiple ballast configurations.

@GH-B; G

UL and cUL Listed. Damp location rated.

K 5 FF 5 BHM

1-Year Limited Warranty. Complete warranty and terms located at www.aelnow.com/warranty.

ORDERING INFORMATION

Example: 1ST232M
Options: EBPL, EM14

SERIES	LAMPS PER SECTION	WATTAGE	VOLTAGE	BALLAST OPTIONS	EMERGENCY BALLAST OPTIONS	HANGING OPTIONS
1ST	1 1 Lamp	14 14W T5 17 17W T8 25 25W T8 28T5 28W T5 28T8 28W T8 32 32W T8 54 54W T5HO	M 120/277 Multi-Volt	(Blank) Normal Instant Start L Low Instant Start H High Instant Start EBPL Electronic Ballast Program Low EBPN Electronic Ballast Program Normal EBPH Electronic Ballast Program High *CD2LT8 Continuous Dimming 2L T8 *CD2LT5 Continuous Dimming 2L T5 *SD2LT8 Step Dimming 2L T8 *SD2LT5 Step Dimming 2L T5	(Blank) None EM5 500 Lumens EM7 700 Lumens EM14 1400 Lumens EM14T5 1400 Lumen T5	(Blank) None AC10 Aircraft Cable 10' AC15 Aircraft Cable 15' AC20 Aircraft Cable 20' JC10 Jack Chain 3PC @ 10' w/S-Hooks