



Forever Bright

SPECIFICATION FEATURES



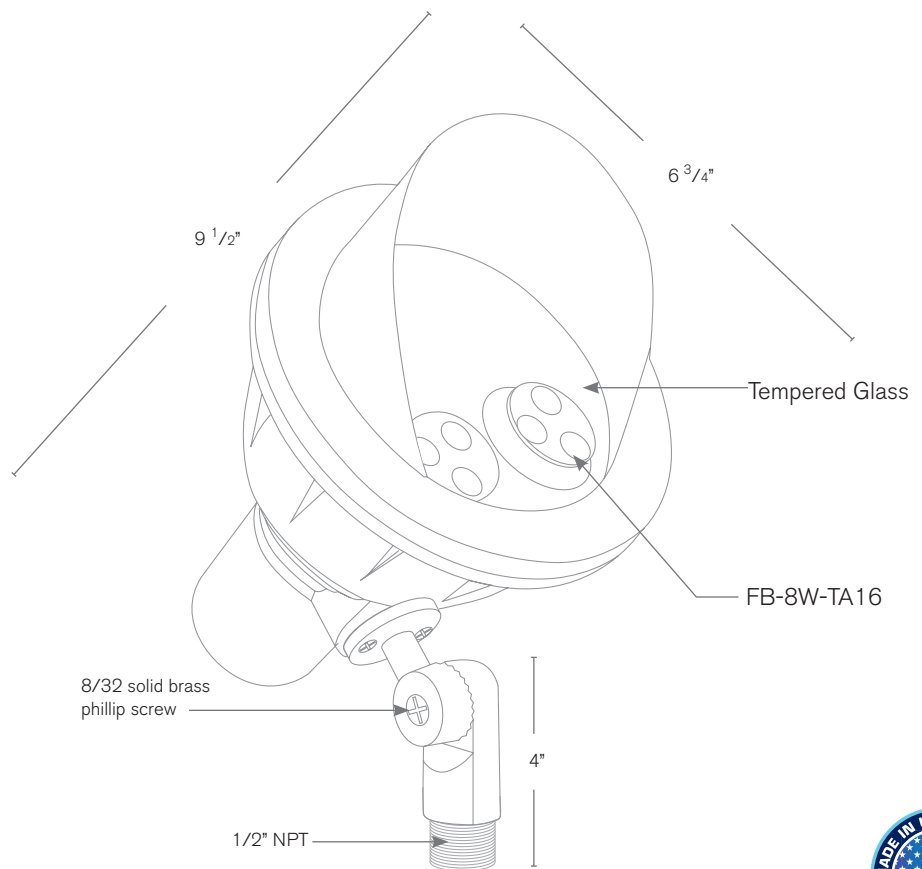
Model: **SPJ14-16**
Finish: Matte Bronze

- Finish:** Our naturally etched finishes will withstand the test of time. All finishes are individually treated insuring consistency. Our meticulous application results in a fixture that truly becomes "a one of a kind".
- Electrical:** Available in 12-15V or 120V
- Labels:** ETL Standard Wet Label
C-ETL

Directional Light

DESCRIPTION

- Model#:** SPJ14-16
- Material:** Solid Brass
- Electrical:** 12-15V, 120V
- Engine:** (2) FB-8W-TA16
- Lumens:** 900
- Color Temp:** 2700K
- Mounting:** 1/2" NPT.
- LED:** Nichia



Wet Listed



ORDERING INFORMATION

Model#	Finishes	Wattage	Lumens	Color Temp.	Electrical
SPJ14-16	MBR	16W	1160	2700K	12-15V

- | | | | | | |
|--------------------|---------------------|-----|------|-------|--------|
| V = Verde | GM = Gun Metal | 16W | 1160 | 2700K | 12-15V |
| M = Moss | B = Black | | | 4000K | 120V |
| AG = Aged Brass | R = Rusty | | | 6500K | |
| MBR = Matte Bronze | PVDP = PVD Polished | | | | |
| SB = Satin Brass | PVDS = PVD Satin | | | | |

WWW.SPJLIGHTING.COM