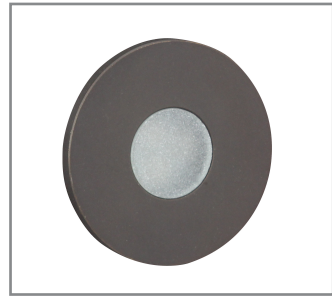




Forever Bright

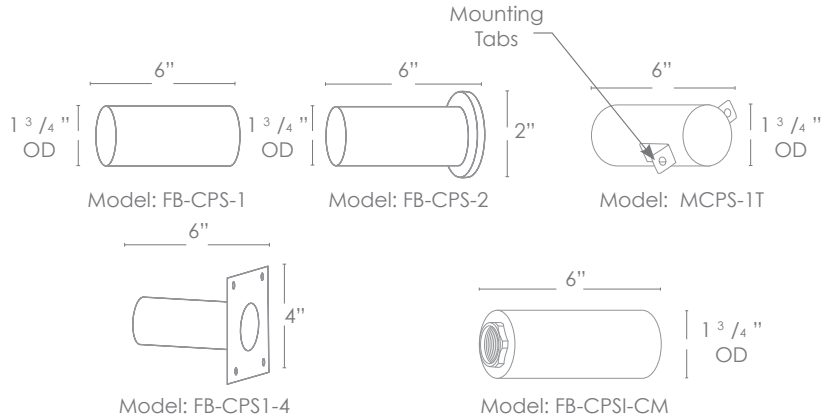
SPECIFICATION FEATURES



Model: **SPJ-GDG-30W**

- Finish:** Our naturally etched finishes will withstand the test of time. All finishes are individually treated insuring consistency. Our meticulous application results in a fixture that truly becomes "a one of a kind".
- Electrical:** Available in 8-15V or 120V
- Labels:** ETL Standard Wet Label
C-ETL

Concrete Pour Sleeves

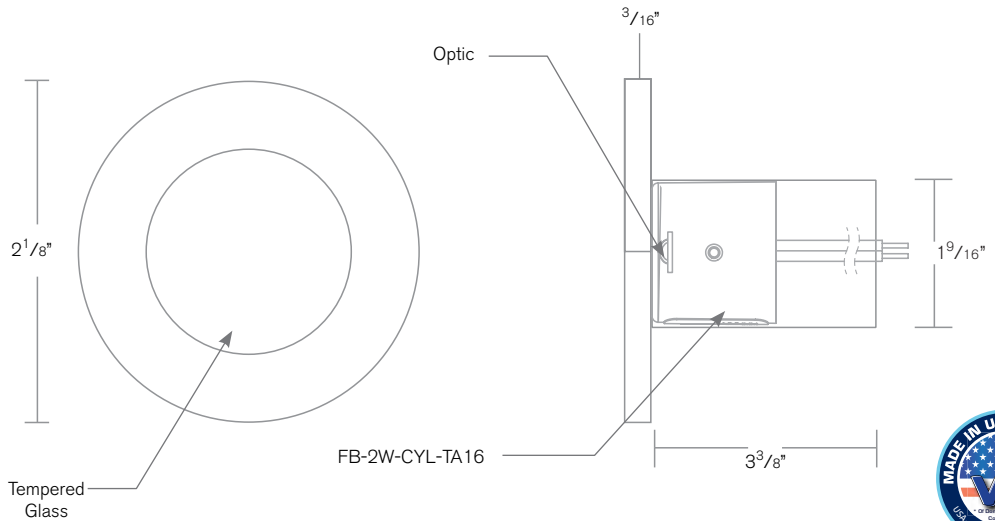


The Versatile GDG Series

DESCRIPTION

- Model#:** SPJ-GDG-30W
- Shown:** Matte Bronze
- Engine:** FB-2W-CYL-TA16 (standard)
- Lumens:** 135
- Optic:** Spot, Flood, Wide Flood, Wide Angle Flood
- Color Temp:** 2700K
- Electrical:** 8-15V, 120V

Unlimited LED Lumen Packages & Color Temperatures Available!



Wet Listed



ORDERING INFORMATION

Model#	Finishes	Wattage	Optics	Lumens	Color Temp.	Electrical
SPJ-GDG-30W	MBR	2W	FLOOD	135	2700K	8-15V

- | | | | | | | |
|--------------------|---------------------|----|------------------|-----|-------|-------|
| V = Verde | GM = Gun Metal | 2W | Spot | 135 | 2700K | 8-15V |
| M = Moss | B = Black | | Flood | | 4000K | 120V |
| AG = Aged Brass | R = Rusty | | Wide Flood | | 5000K | |
| MBR = Matte Bronze | PVDP = PVD Polished | | Wide Angle Flood | | | |
| SB = Satin Brass | PVDS = PVD Satin | | | | | |