

DESCRIPTION

The Boca 615 is a 6" diameter inground fixture with rotatable, slotted aperture for use with an MR16 lamp source. The adjustable lamp assembly provides up to 35° vertical tilt and 360° horizontal rotation for precision uplighting, wall washing or general illumination in constricted areas. Designed for recess mounting in concrete, brick, stone or dirt it is suitable for drive-over applications.

Catalog #		Type
Project		
Comments		Date
Prepared by		

SPECIFICATION FEATURES

A ... Material

Recessed housing is constructed from corrosion-resistant 6061-T6 aluminum extrusion. Trim ring with slotted aperture is precision-machined from corrosion-resistant 6061-T6 aluminum or solid brass.

B ... Finish Painted

Solid brass and stainless steel parts are natural finish. Painted surfaces are double protected by a chromate conversion undercoating and a thermoplastic polyester powder coat for mar-resistance and extended weatherability.

C ... Gasket

Recessed housing and trim ring are sealed with a high temperature silicone o-ring gasket to prevent water intrusion.

D ... Lens

Minimum 1/4" thick tempered glass lens, factory sealed with high temperature adhesive to prevent water intrusion and breakage due to thermal shock. Suitable for drive-over applications.

E ... Hardware

Stainless steel hardware is standard to provide maximum corrosion-resistance.

F ... Socket

Ceramic socket with 250° C Teflon® coated lead wires and GU5.3 bi-pin base.

G ... Electrical

Remote 12V transformer required (not included). Available from Lumière as an accessory - see the Accessories & Technical Data section of this catalog for details.

H ... Lamp

Not included. Works with 10 Watt Soraa Lamp.

I ... Labels & Approvals

UL and cUL listed, standard wet label. Manufactured to ISO 9001-2000 Quality Systems Standard. IBEW union made.

J ... Warranty

Lumière warrants its fixtures against defects in materials & workmanship for three (3) years. Auxiliary equipment such as transformers, ballasts and lamps carry the original manufacturer's warranty.

L ... Recessed Housing Recessed housing is available to ship in advance of complete fixture for rough-in purposes. Specify option -LBB and order separately accompanying recessed housing from below:

615-xx-BB
recessed housing;

NOTE: replace xx with desired finish- BK, BZ, CS, VE, WT, NBR, or NBZ



BOCA

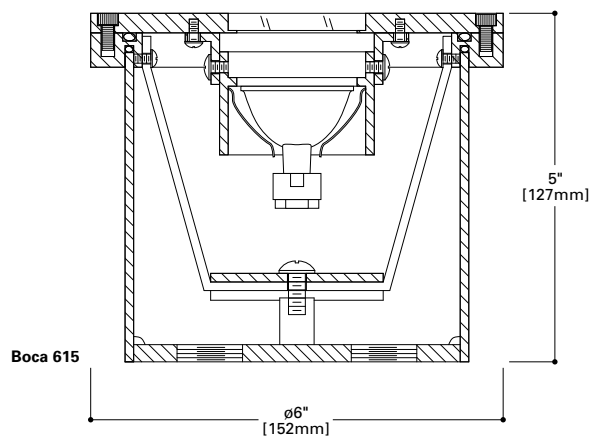
615

50W (max.) MR16

Halogen

Low Voltage

Inground



Boca 615
Lamp=50MR16/NSP
(EXT)
CBCP=11,000

Cone of Light

Distance to Illuminated Plane	Initial Nadir Footcandles	Beam Diameter
15'0"	45	4'0"
10'0"	102	3'0"
8'0"	159	2'0"
6'0"	283	1'6"
4'0"	638	1'0"
2'0"	2550	0'6"

Lamp Wattage Multiplier
20W x 0.32



Boca 615
Lamp=50MR16/NFL
(EXZ)
CBCP=3200

Cone of Light

Distance to Illuminated Plane	Initial Nadir Footcandles	Beam Diameter
15'0"	13	10'0"
10'0"	29	6'6"
8'0"	45	5'0"
6'0"	81	4'0"
4'0"	181	2'6"
2'0"	725	1'0"



Boca 615
Lamp=50MR16/FL
(EXN)
CBCP=2000

Cone of Light

Distance to Illuminated Plane	Initial Nadir Footcandles	Beam Diameter
15'0"	7	12'0"
10'0"	17	8'0"
8'0"	27	6'6"
6'0"	48	5'0"
4'0"	106	3'0"
2'0"	431	1'6"

Lamp Wattage Multiplier
35W x 0.57
20W x 0.30



Boca 615
Lamp=50MR16/WFL
(FNV)
CBCP=1200

Cone of Light

Distance to Illuminated Plane	Initial Nadir Footcandles	Beam Diameter
15'0"	5	17'0"
10'0"	11	11'6"
8'0"	17	9'0"
6'0"	30	7'0"
4'0"	67	4'6"
2'0"	269	2'0"



LAMP INFORMATION

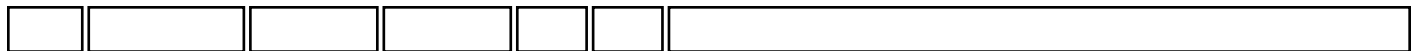
Lamp	ANSI Code	Watts	Beam Spread	CBCP	°K	Life (hrs.)	Base	Volts
50MR16/NSP	EXT	50	12°	11,000	3050	4000	GU5.3 bi-pin	12
50MR16/NFL	EXZ	50	25°	3200	3050	4000	GU5.3 bi-pin	12
50MR16/FL	EXN	50	40°	2000	3050	4000	GU5.3 bi-pin	12
50MR16/WFL	FNV	50	60°	1200	3050	4000	GU5.3 bi-pin	12

NOTE: Inferior quality lamps may adversely affect the performance of this product. Use only name brand lamps from reputable lamp manufacturers.

NOTES AND FORMULAS

- Beam diameter is to 50% of maximum footcandles, rounded to the nearest half-foot.
- Footcandle values are initial. Apply appropriate light loss factors where necessary.
- Bare lamp data shown. Consult lamp manufacturers to obtain detailed specifications for their lamps.

ORDERING INFORMATION



<p>Series 615=Slotted Aperture, 6" Dia, 5" Low Profile, Adjustable 35° Vertical Tilt 360° Horizontal Rotation</p>	<p>Voltage 12=12V</p>	<p>Options LBB=Housing Shipped in Advance (select LBB option and order -BB Back Box Recessed Housing separately)</p>	<p>Accessories</p> <p>Filters</p> <p>F71= Peach Dichroic Filter, 2.00" Dia F73= Green Dichroic Filter, 2.00" Dia F75= Yellow Dichroic Filter, 2.00" Dia F77= Dark Blue Dichroic Filter, 2.00" Dia F79= Neutral Density Dichroic Filter, 2.00" Dia F22= Red Color Filter, 2.00" Dia F44= Green Color Filter, 2.00" Dia F66= Mercury Vapor Color Filter, 2.00" Dia</p> <p>Optical Lenses</p> <p>LSL= Linear Spread Lens (elongate standard beam spread), 2.00" Dia DIF= Diffused Lens (provide even illumination), 2.00" Dia</p> <p>Optical Louver</p> <p>LVR= Hex Cell Louver (reduce glare), 2.00" Dia</p>	<p>Recessed Housing (order separately) Select housing from Recessed Housing section on previous page</p>	<p>F72= Amber Dichroic Filter, 2.00" Dia F74= Medium Blue Dichroic Filter, 2.00" Dia F76= Red Dichroic Filter, 2.00" Dia F78= Light Blue Dichroic Filter, 2.00" Dia F80= Magenta Dichroic Filter, 2.00" Dia F33= Blue Color Filter, 2.00" Dia F55= Yellow Color Filter, 2.00" Dia</p> <p>OSL= Overall Spread Lens (increase beam spread), 2.00" Dia</p>
--	----------------------------------	---	--	---	--

- Notes:**
- * Lamp not included.
 - * 12V remote transformer required - not included.
 - * See ACCESSORIES & TECHNICAL DATA section of the Lumière catalog for Low Voltage Cable & Transformers.
 - * Consult your Cooper Lighting representative for additional options and finishes.