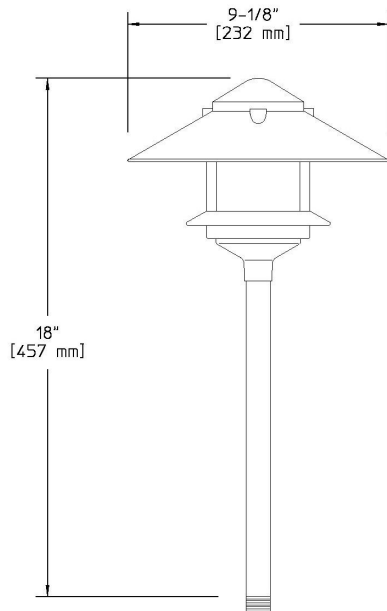


# Aluminum Pathlyte (R3) Specification Sheet

Project Name:	Location:	MFG: Philips Hadco
Fixture Type:	Catalog No.:	Qty:



## Ordering Guide

Example: R3 G

Product Code	R3	Aluminum Pathlyte
Finish	G	Verde

## Spacing Chart

## Specifications

### HOUSING:

Single-piece cast aluminum. Stem is extruded aluminum. Fasteners are 300 series stainless steel. 1/2" NPS male threads to screw onto accessory mounting stake or junction box, sold separately.

### FINISH:

Thermoset polyester powdercoat is electrostatically applied after a five-stage conversion cleaning process and bonded by heat fusion thermosetting. Laboratory tested for superior weatherability and fade resistance in accordance with ASTM B117 specifications.

### OPTICAL ASSEMBLY:

Painted, tempered glass jar with clear glass top.

### LAMPING:

100W maximum A19 lamp. Lamp is not included. Lower wattage lamps are acceptable.

### ELECTRICAL ASSEMBLY:

Medium base phenolic socket with nickel-plated screw shell and center contact. Fixture is pre-wired with 18 AWG black, white, and ground wires.

### WARRANTY:

Three-year limited warranty.

### CERTIFICATIONS:

ETL listed to U.S. safety standards for wet locations. cETL listed to Canadian safety standards for wet locations. Manufactured to ISO 9001:2008 Standards.

### Height :

18" (457mm)

### Width:

9 1/8" (232mm)

### Max. Weight:

4.2 lb.