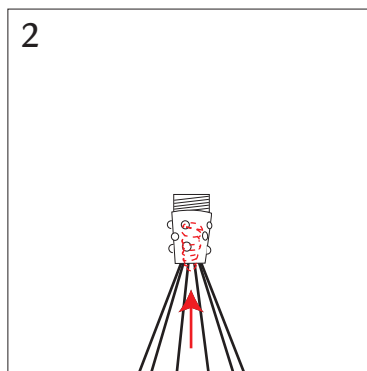
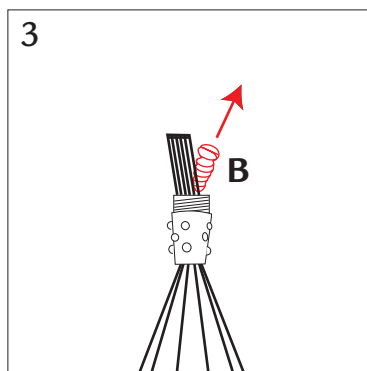


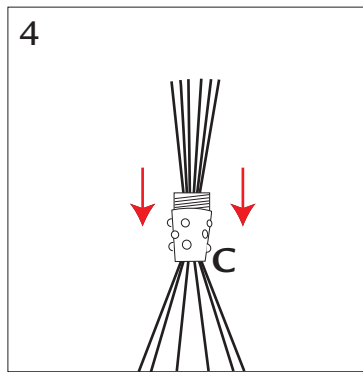
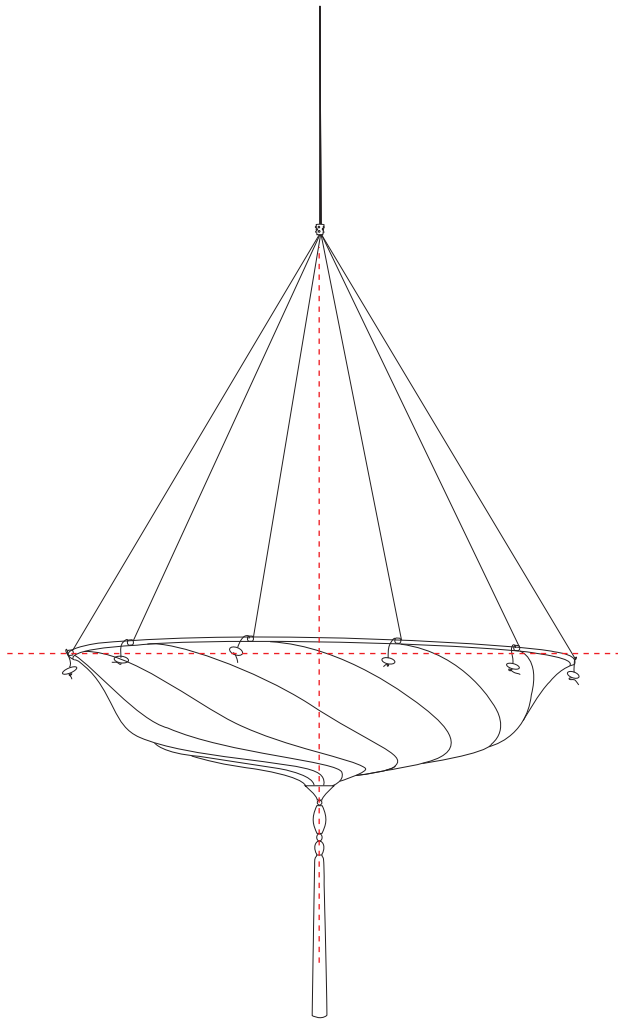
1. UNSCREW THE RING A



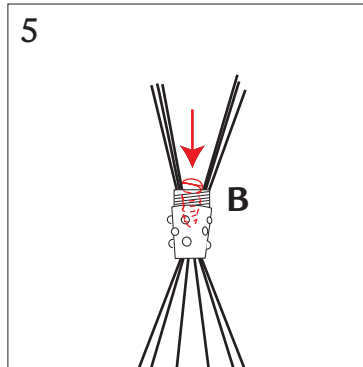
2. PUSH UP THE CORDS



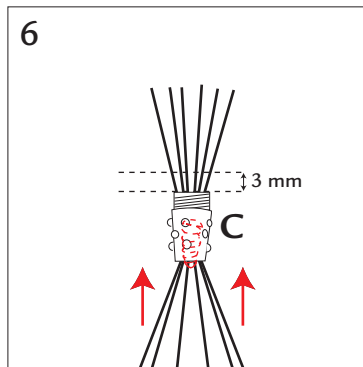
3. REMOVE THE LITTLE SCREW B AMONG THE CORDS



4. PULL DOWN THE CORD-HOLDER C TO THE REQUIRED HEIGHT

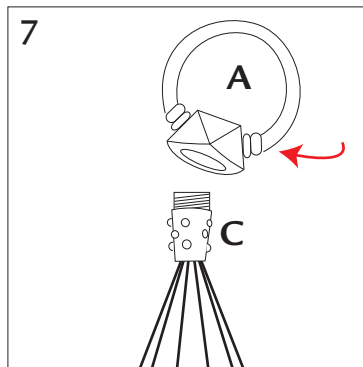


5. INSERT THE SCREW B AMONG THE CORDS



6. PULL UP THE CORD-HOLDER C AND VERIFY THAT ALL CORDS ARE IN TENSION

NOW YOU CAN CUT THE EXCEEDING CORDS AND PUT SOME GLUE TO FIX THEM



7. SCREW THE RING A TO THE CORD-HOLDER C

Remember to shorten the electrical wire accordingly