



# Forever Bright

## SPECIFICATION FEATURES



Model: **FB-6W-CYL-TA16**

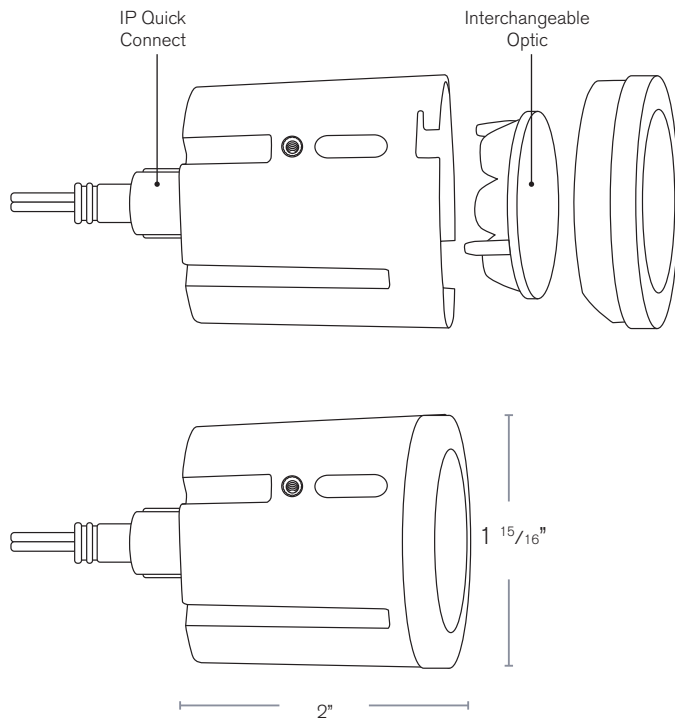
- Finish:** Our naturally etched finishes will withstand the test of time. All finishes are individually treated insuring consistency. Our meticulous application results in a fixture that truly becomes "a one of a kind".
- Electrical:** Available in 12-15V
- Labels:** ETL Standard Wet Label  
C-ETL

### Forever Bright Engine

#### DESCRIPTION

**Model#:** FB-Cylinder  
**Electrical:** 12V-15V

FB-6W-CYL-TA16  
 FB-8W-CYL-TA16  
 12-15v



**Turtle  
 Friendly**



*New twist and lock cap allows user to change optic beam spread in a snap!*



**Wet Listed**



#### ORDERING INFORMATION

Model#	Wattage	Lumens	Color Temp.	Optics	Electrical
<b>FB-6W-CYL-TA16</b>	<b>6W</b>	<b>300</b>	<b>2200K</b>	<b>SPOT</b>	<b>12-15V</b>
FB-6W-CYL-TA16	6W	300	2200K	SPOT	12-15V
FB-8W-CYL-TA16	8W	580	2700K	FLOOD	
			4000K	WIDE FLOOD	
			5000K	WIDE ANGLE FLOOD	
			AMBER		