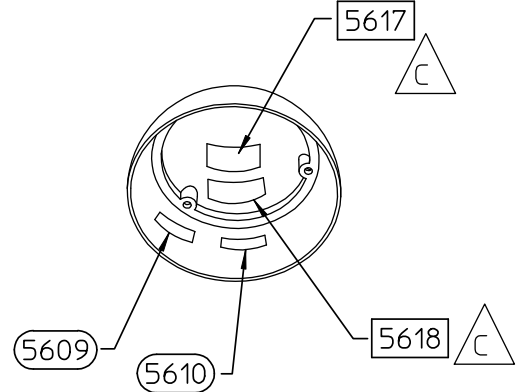
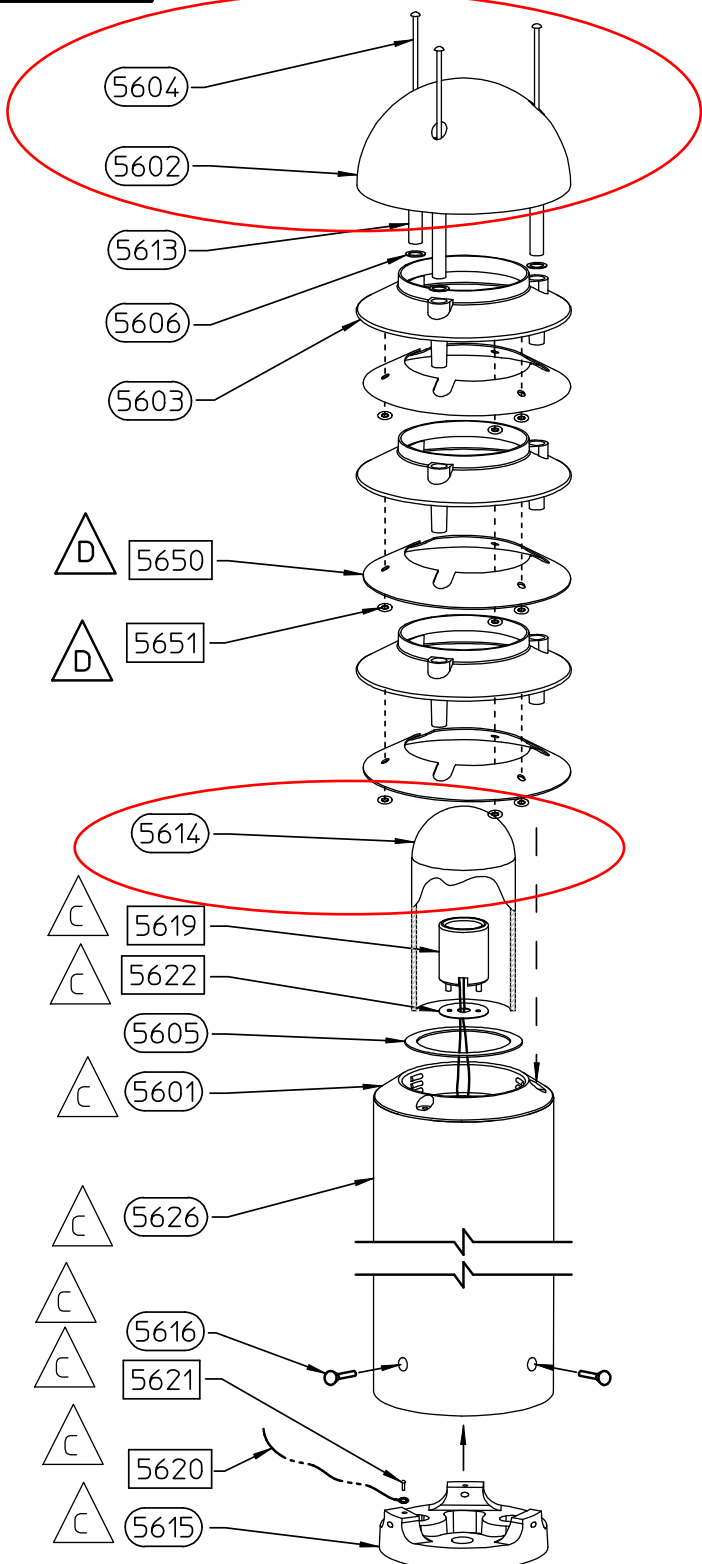


| | | | | |
|------|-----|--------|-----|----------|
| EH | B | 99-063 | MSP | 5/28/99 |
| EH | C | 00-400 | DRC | 11/06/00 |
| | D | 00-241 | KAR | 06/08/01 |
| APPR | REV | PCN NO | BY | DATE |



BOTTOM OF ROOF

NOTE:
 ITEM #'S IN BOXES MAY OR MAY NOT BE REQUIRED, SEE BOM.

PART NO: 99000126

HADCO[®]
 ARCHITECTURAL OUTDOOR LIGHTING
 a GENSLER company
 100 Craftway P.O. Box 128
 Littlestown, Pennsylvania 17340-0128
 Phone 717-359-7131
 Fax 717-359-9515

THIS DRAWING IN DESIGN AND DETAIL IS OUR PROPERTY AND MUST NOT BE USED EXCEPT IN CONNECTION WITH OUR WORK. ALL RIGHTS OF DESIGN OR INVENTION ARE RESERVED.

UNLESS OTHERWISE SPECIFIED:
 DIMENSIONS ARE IN INCHES AND TOLERANCES ARE:
 2 PLC. DEC. 3 + PLC. DEC. ANGLES ± 0.5°
 ± 0.03 ± 0.016
 FRACTIONS: ± 0.015 THRU 6 INCHES.
 ADD 0.003 PER INCH ABOVE 6 INCHES.
 MACHINE SURFACE ROUGHNESS TO BE:

| | |
|-------------------------|-------------------------|
| DRAWN BY: W. M. Niemier | DATE: 5/20/98 |
| CHECKED BY: | DATE: |
| APPR BY: E. HADDAD | DATE: 5/20/98 |
| EF-04-01-11 Rev.01 | SCALE: NTS SHEET 1 OF 1 |

TITLE: BASIC FIXTURE ASSEMBLY FOR HID & INCANDESCENT DB14, DB17, DB30

| | |
|-------------------------------|---------|
| DWG NO: 99000126 | SIZE: A |
| MATERIAL: SEE BOM | |
| * DO NOT SCALE THIS DRAWING * | |