



Catalog #		Type
Project		
Comments		Date
Prepared by		



## DECORATIVE ALUMINUM POLES

### DESIGN CONSIDERATIONS - VIBRATIONS AND NON-GROUND MOUNTED INSTALLATIONS

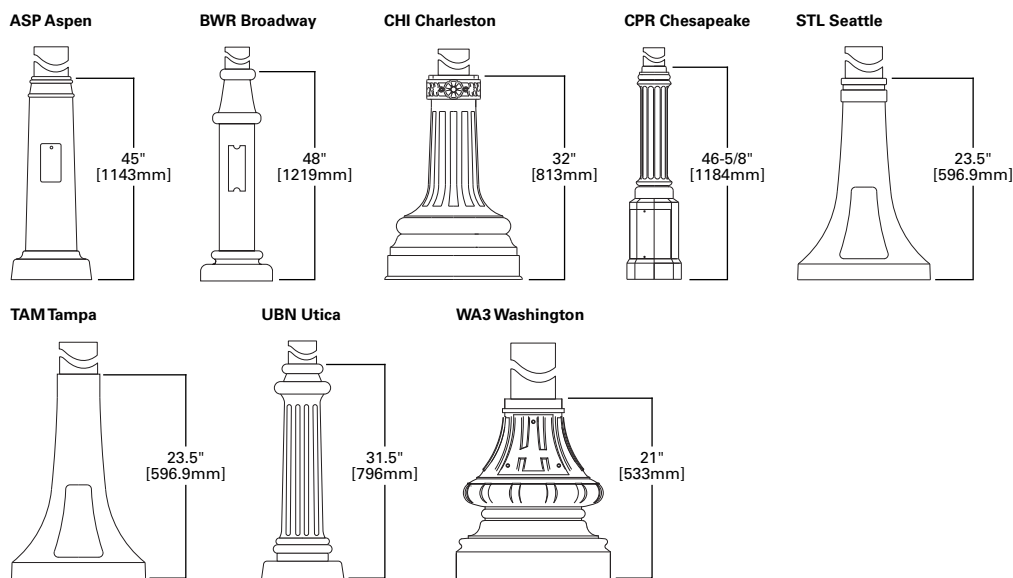
The information contained herein is for general guidance only and is not a replacement for professional judgment. Design considerations for wind-induced vibrations and non-ground mounted installations (e.g., installations on bridges or buildings) are not included in this document. Consult with a professional, and local and federal standards, before ordering to ensure product is appropriate for the intended purpose and installation location. Refer to the Cooper Lighting Solutions Light Pole White Paper for risk factors and design considerations. [Learn more.](#)

**NOTE:** The Limited Warranty for this product specifically excludes fatigue failure or similar damage resulting from vibration, harmonic oscillation or resonance.

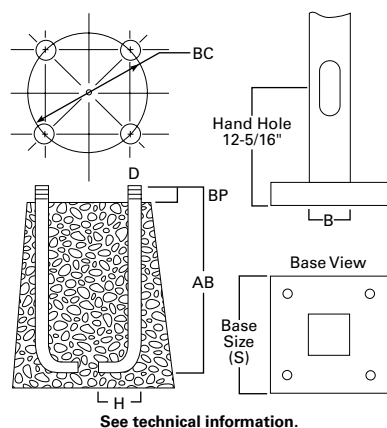
Specifications and dimensions subject to change without notice. Consult your lighting representative at Cooper Lighting Solutions or visit [www.cooperlighting.com](http://www.cooperlighting.com) for available options, accessories and ordering information.

Options to meet Buy American and other domestic preference requirements

### BASE HEIGHT DIMENSIONS



### ANCHORAGE DATA



Pole	Anchor Bolt and Template Package	Shaft Diameter (inches)	Bolt Circle (inches)	Number of Bolts	Bolt Size (inches)	Template Only
Aspen (ASP)	317AVE40S	10 x 4	14.19 + - 0.81	4	3/4 x 17	406541D
Broadway (BWR) <sup>1</sup>	317RB408	8 x 4	12	4	3/4 x 17	405592D
Broadway (BWR) <sup>2</sup>	436RB408	8 x 4	12	4	1 x 36	227878D
Charleston (CHI)	317RB4HN	4, 5, 6	11.5 + - 1.50	4	3/4 x 17	227095D
Chesapeake (CPR)	317RB4WI	4, 5	13.25	4	3/4 x 17	227116D
Seattle (STL)	317AVE10	4	9	4	3/4 x 17	407040D
Tampa (TAM)	317AVE30	5 x 4	16	4	3/4 x 17	407040D
Utica (UBN)	317RB4SC	4, 5	12.5	4	3/4 x 17	227314D
Washington (WA3)	317RB4WA	4, 5, 6	11.5 + - 1.50	4	3/4 x 17	227077D

**NOTES:** 1. Anchor bolt set should be for up to 16' mounting height. 2. Anchor bolt set should be for up to 17' and over mounting height.

**ASP ASPEN ORDERING INFORMATION**

**SAMPLE NUMBER:** ASP08102RT4BK

Base Type	Mounting Height (Feet)	Shaft Size at Base (Inches)	Wall Thickness (Inches)	Shaft Type	Mounting Type	Color	Options (Add as Suffix)
ASP=Aspen BAA-ASP=Aspen Buy American Act Compliant <sup>3</sup> TAA-ASP=Aspen Trade Agreements Act Compliant <sup>3</sup>	08=8' 10=10' 12=12' 14=14' 16=16' 18=18' 20=20'	10=10"	2=0.188"	RT=Round Tapered <sup>2</sup>	2=2-3/8" O.D. Tenon 4= 4" O.D. Tenon <sup>1</sup> 5= 3" O.D. Tenon	AP=Grey BK=Black BZ=Bronze DP=Dark Platinum GM=Graphite Metallic GN=Hartford Green WH=White	C=Provision for Convenience Outlet E=GFCI Convenience Outlet G=Ground Lug

**NOTES:** 1. Provides no tenon as shaft tapers to 4". 2. Shaft Taper is from 10" to 4". 3. Only product configurations with these designated prefixes are built to be compliant with the Buy American Act of 1933 (BAA) or Trade Agreements Act of 1979 (TAA), respectively. Please refer to [DOMESTIC PREFERENCES](#) website for more information. Components shipped separately may be separately analyzed under domestic preference requirements.

**BWR BROADWAY ORDERING INFORMATION**

**SAMPLE NUMBER:** BWR1281RT5BK

Base Type	Mounting Height (Feet)	Shaft Size at Base (Inches)	Wall Thickness (Inches)	Shaft Type	Mounting Type	Color	Options (Add as Suffix)
BWR=Broadway BAA-BWR=Broadway Buy American Act Compliant <sup>4</sup> TAA-BWR=Broadway Trade Agreements Act Compliant <sup>4</sup>	12=12' 14=14' 16=16' 18=18' 20=20' <sup>2</sup> 22=22' <sup>2</sup> 24=24' <sup>2</sup> 26=26' <sup>2</sup> 28=28' <sup>2</sup>	8=8" <sup>1</sup>	1=0.156" 2=0.188" 3=0.250" <sup>2</sup>	RT=Round Tapered <sup>3</sup>	5=3" O.D. Tenon	AP=Grey BK=Black BZ=Bronze DP=Dark Platinum GM=Graphite Metallic GN=Hartford Green WH=White	C=Provision for Convenience Outlet <sup>5</sup> E=GFCI Convenience Outlet <sup>5</sup> G=Ground Lug

**NOTES:** 1. Pole tapers to 4" at pole top. 2. Consult factory for availability. 3. Shaft Taper is from 8" to 4". 4. Only product configurations with these designated prefixes are built to be compliant with the Buy American Act of 1933 (BAA) or Trade Agreements Act of 1979 (TAA), respectively. Please refer to [DOMESTIC PREFERENCES](#) website for more information. Components shipped separately may be separately analyzed under domestic preference requirements. 5. Outlet is located 4' above base and on same side of pole as hand hole, unless specified otherwise. Receptacle not included, provision only.

**CHI CHARLESTON ORDERING INFORMATION**

**SAMPLE NUMBER:** CHI0840RS5BK

Base Type	Mounting Height (Feet)	Shaft Size at Base (Inches) <sup>1</sup>	Wall Thickness (Inches)	Shaft Type	Luminaire	Color	Options (Add as Suffix)
CHI=Charleston BAA-CHI=Charleston Buy American Act Compliant <sup>4</sup> TAA-CHI=Charleston Trade Agreements Act Compliant <sup>4</sup>	08=8' 10=10' 12=12' 14=14' 16=16' 18=18'	4=4" 5=5" 6=6"	0=0.125" 2=0.188"	RS=Round Straight SF=Straight Fluted <sup>3</sup>	4=4" O.D. Tenon <sup>2</sup> 5=3" O.D. Tenon	AP=Grey BK=Black BZ=Bronze DP=Dark Platinum GM=Graphite Metallic GN=Hartford Green WH=White	C=Provision for Convenience Outlet E=GFCI Convenience Outlet G=Ground Lug

**NOTES:** 1. 4" shaft size available in 8', 10' and 12' mounting heights. 5" shaft size available in 8', 10', 12', 14', 16' and 18' mounting heights. 6" shaft size available in 18' for SF and 12', 14', 16' and 18' mounting heights for RS. 2. Provides 4" tenon on 5" shafts or no tenon on 4" shafts allowing slip over of Epic Collection, Slide and Flite arm accessories. See individual product specifications for additional information. 3. Only available with 0.188" wall thickness. 4. Only product configurations with these designated prefixes are built to be compliant with the Buy American Act of 1933 (BAA) or Trade Agreements Act of 1979 (TAA), respectively. Please refer to [DOMESTIC PREFERENCES](#) website for more information. Components shipped separately may be separately analyzed under domestic preference requirements.

**CPR CHESAPEAKE ORDERING INFORMATION**

**SAMPLE NUMBER:** CPR0840RS5BK

Base Type	Mounting Height (Feet)	Shaft Size at Base (Inches)	Wall Thickness (Inches)	Shaft Type	Luminaire	Color	Options (Add as Suffix)
CPR=Chesapeake BAA CPR=Chesapeake Buy American Act Compliant <sup>2</sup> TAA-CPR=Chesapeake Trade Agreements Act Compliant <sup>2</sup>	08=8' 10=10' 12=12' 14=14'	4=4" 5=5"	0=0.125"	RS=Round Straight SF=Straight Fluted	4=4" O.D. Tenon <sup>1</sup> 5=3" O.D. Tenon	AP=Grey BK=Black BZ=Bronze DP=Dark Platinum GM=Graphite Metallic GN=Hartford Green WH=White	C=Provision for Convenience Outlet E=GFCI Convenience Outlet G=Ground Lug

**NOTES:** 1. Provides 4" tenon on 5" shafts or no tenon on 4" shafts allowing slip over of Epic Collection, Slide and Flite arm accessories. See individual product specifications for additional information. 2. Only product configurations with these designated prefixes are built to be compliant with the Buy American Act of 1933 (BAA) or Trade Agreements Act of 1979 (TAA), respectively. Please refer to [DOMESTIC PREFERENCES](#) website for more information. Components shipped separately may be separately analyzed under domestic preference requirements.

**STL SEATTLE ORDERING INFORMATION**

**SAMPLE NUMBER:** STL0842RS5BK

Base Type	Mounting Height (Feet)	Shaft Size at Base (Inches)	Wall Thickness (Inches)	Shaft Type	Luminaire	Color	Options (Add as Suffix)
STL=Seattle BAA-STL=Seattle Buy American Act Compliant <sup>2</sup> TAA-STL=Seattle Trade Agreements Act Compliant <sup>2</sup>	08=8' 10=10' 12=12' 14=14' 16=16'	4=4"	2=0.188"	RS=Round Straight	4=4" O.D. Tenon <sup>1</sup> 5=3" O.D. Tenon	AP=Grey BK=Black BZ=Bronze DP=Dark Platinum GM=Graphite Metallic GN=Hartford Green WH=White	C=Provision for Convenience Outlet E=GFCI Convenience Outlet G=Ground Lug

**TAM TAMPA ORDERING INFORMATION**

**SAMPLE NUMBER:** TAM1041RS5BK

Base Type	Mounting Height (Feet)	Shaft Size at Base (Inches)	Wall Thickness (Inches)	Shaft Type	Luminaire	Color	Options (Add as Suffix)
<b>TAM</b> =Tampa <b>BAA-TAM</b> =Tampa Buy American Act Compliant <sup>3</sup> <b>TAA-TAM</b> =Tampa Trade Agreements Act Compliant <sup>3</sup>	10=10' 12=12' 14=14' 16=16' 18=18'	5=5"	1=0.156" 2=0.188"	RT=Round Tapered <sup>2</sup>	4=4" O.D. Tenon <sup>1</sup> 5=3" O.D. Tenon	AP=Grey BK=Black BZ=Bronze DP=Dark Platinum GM=Graphite Metallic GN=Hartford Green WH=White	C=Provision for Convenience Outlet E=GFCI Convenience Outlet G=Ground Lug

**NOTES:** 1. Provides 4" tenon on 5" shafts or no tenon on 4" shafts allowing slip over of Epic Collection, Slide and Flite arm accessories. See individual product specifications for additional information. 2. Shaft Taper is from 5" to 4". 3. Only product configurations with these designated prefixes are built to be compliant with the Buy American Act of 1933 (BAA) or Trade Agreements Act of 1979 (TAA), respectively. Please refer to [DOMESTIC PREFERENCES](#) website for more information. Components shipped separately may be separately analyzed under domestic preference requirements.

**UBN UTICA ORDERING INFORMATION**

**SAMPLE NUMBER:** UBN0840RS5BK

Base Type	Mounting Height (Feet)	Shaft Size at Base (Inches)	Wall Thickness (Inches)	Shaft Type	Luminaire	Color	Options (Add as Suffix)
<b>UBN</b> =Utica <b>BAA-UBN</b> =Utica Buy American Act Compliant <sup>2</sup> <b>TAA-UBN</b> =Utica Trade Agreements Act Compliant <sup>2</sup>	08=8' 10=10' 12=12' 14=14'	4=4" 5=5"	0=0.125"	RS=Round Straight SF=Straight Fluted	4=4" O.D. Tenon <sup>1</sup> 5=3" O.D. Tenon	AP=Grey BK=Black BZ=Bronze DP=Dark Platinum GM=Graphite Metallic GN=Hartford Green WH=White	C=Provision for Convenience Outlet E=GFCI Convenience Outlet G=Ground Lug

**NOTES:** 1. Provides 4" tenon on 5" shafts or no tenon on 4" shafts allowing slip over of Epic Collection, Slide and Flite arm accessories. See individual product specifications for additional information. 2. Only product configurations with these designated prefixes are built to be compliant with the Buy American Act of 1933 (BAA) or Trade Agreements Act of 1979 (TAA), respectively. Please refer to [DOMESTIC PREFERENCES](#) website for more information. Components shipped separately may be separately analyzed under domestic preference requirements.

**WA3 WASHINGTON ORDERING INFORMATION**

**SAMPLE NUMBER:** WA30840RS5BK

Base Type	Mounting Height (Feet)	Shaft Size at Base (Inches) <sup>1</sup>	Wall Thickness (Inches)	Shaft Type	Luminaire	Color	Options (Add as Suffix)
<b>WA3</b> =Washington 3 <b>BAA-WA3</b> =Washington 3 Buy American Act Compliant <sup>3</sup> <b>TAA-ASP</b> =Washington 3 Trade Agreements Act Compliant <sup>3</sup>	08=8' 10=10' 12=12' 14=14' 16=16' 18=18'	4=4" 5=5" 6=6"	0=0.125" 2=0.188"	RS=Round Straight SF=Straight Fluted	4=4" O.D. Tenon <sup>2</sup> 5=3" O.D. Tenon	AP=Grey BK=Black BZ=Bronze DP=Dark Platinum GM=Graphite Metallic GN=Hartford Green WH=White	C=Provision for Convenience Outlet E=GFCI Convenience Outlet G=Ground Lug

**NOTES:** 1. 4" shaft size available in 8', 10' and 12' mounting heights. 5" shaft size available in 8', 10', 12', 14', 16' and 18' mounting heights. 6" shaft size available in 16' and 18' mounting heights. 2. Provides 4" tenon on 5" shafts or no tenon on 4" shafts allowing slip over of Epic Collection, Slide and Flite arm accessories. See individual product specifications for additional information. 3. Only product configurations with these designated prefixes are built to be compliant with the Buy American Act of 1933 (BAA) or Trade Agreements Act of 1979 (TAA), respectively. Please refer to [DOMESTIC PREFERENCES](#) website for more information. Components shipped separately may be separately analyzed under domestic preference requirements.

**VIBRATION**

Vibrations may cause damage to structures, including poles. Vibrations are unpredictable, and there are many factors and variables that can cause damaging vibrations. Many wind conditions exist that can create damaging vibrations to poles and luminaires, such as constant winds between 10-30 mph. Although all pole types can experience vibration, straight square poles seem to be most prone. Vibration dampers and/or a round tapered design may be used to mitigate damage from vibrations, but there is no guarantee damaging vibrations will be prevented. Vibration dampers are not included with this pole but can be ordered separately. Consult with a professional, and local and federal standards, to ensure this pole is appropriate for the intended purpose and installation location. Refer to Cooper Lighting Solutions' Light Pole White Paper for risk factors and design considerations.

**MAINTENANCE**

Perform inspections periodically. A prudent inspection schedule would be: one week after installation, one month after installation, yearly after installation, and following any major wind event. During the inspection, check the poles for cracks. If cracks are detected, remedial action is required. Recheck anchor bolt torques and re-tighten according to the recommended torque values. Check for missing covers and pole caps and replace as necessary. Check the pole for corrosion and deterioration of the finish. Should there be corrosion or deterioration, take remedial action to correct.

**WARNING:** Customer is responsible for engineering analysis to confirm pole and fixture compatibility for all applications. Refer to pole white paper WP513001EN for additional support information. Before installing, make sure proper anchor bolts and templates are obtained. The use of unauthorized accessories such as banners, signs, cameras or pennants for which the pole was not designed voids the pole warranty and may result in pole failure causing serious injury or property damage. Information regarding total loading capacity can be supplied upon request. The pole warranty is void unless poles are used and installed as a complete pole and luminaire combination. This warranty specifically excludes failure as the result of a third party act or omission, misuse, unanticipated uses, fatigue failure or similar phenomena resulting from induced vibration, harmonic oscillation or resonance associated with movement of air currents around the product.

Specifications and dimensions subject to change without notice. Consult your lighting representative at Cooper Lighting Solutions or visit [www.cooperlighting.com](http://www.cooperlighting.com) for available options, accessories and ordering information.



**Cooper Lighting Solutions**  
1121 Highway 74 South  
Peachtree City, GA 30269  
P: 770-486-4800  
[www.cooperlighting.com](http://www.cooperlighting.com)

Specifications and dimensions subject to change without notice.