

LIGHTOLIER

by @signify

3D printed lighting

Low Bay (large & small)

BAL Series



Lightolier 3D Printed Low Bay, BAL Series allows for a multitude different combinations, tailored to seamlessly match any indoor environment. No ceiling? No problem. Bringing glare control of downlights to open ceilings with plenty of options. Create dynamic new decorative styles for your projects by selecting from a variety of polycarbonate materials and visually rich surface textures. Unleash your inner creator and select from the many options these Low Bays have to offer, unlike any other on the market.

Project: _____
 Location: _____
 Cat.No: _____
 Type: _____
 Qty: _____
 Notes: _____

Fixture

example: 3DPI LB L WHST LF SIST SR 10L 27K CO WH

Series	Colors	Outer Texture	Inner Color	Reflector	Lumens	Optics/Beams	CRI/CCT
3DPI LB L Low Bay Large	BKMT Matte Black <u>Satin colors</u> <u>Metallic colors</u> WHST White GNME Green GYST Grey BLME Blue DGYS Dark Grey PUME Purple SIST Silver PKME Pink GDST Gold (Rose Gold) <u>Transparent colors</u> CL Clear RDTP Red GYSM Smokey Grey YETP Yellow ORTP Fluo Orange BLTP Blue WHTL White GNTL Lime	<u>Opaque outer colors</u> LF Layered Fine NL Natural Lines <u>Transparent outer colors</u> TC Tufted Coarse PY Pyramids HL Horizontal Lines WO Woven Oval	N None WHHR Glossy White (high reflective) <u>Satin textures</u> SIST Silver GDST Gold <u>Metallic textures</u> PUME Purple PKME Pink (Rose Gold) BLME Blue GNME Green	N None SR Smooth BR Baffle FP Floral Note: For all textures specify VWB optics only. If no Inner Color is chosen, do not select a Reflector. Note: If a different color, optics, or texture is needed, please contact a member of the 3D Printing team. Most combinations are possible but will require a long lead time to produce.	10L 1000lm 15L 1500lm 20L 2000lm 27L 2700lm 38L 3800lm 45L 4500lm 60L 6000lm 75L 7500lm	MB Medium (25°) WB Wide (36°) VWB Very Wide (60°) DF Diffuse (84°) Note: If no Inner Color and Reflector are chosen, only choose from the above Optics/Beams.	27K 90CRI / 2700K 30K 90CRI / 3000K 35K 90CRI / 3500K 40K 90CRI / 4000K
	3DPI LB S Low Bay Small	BKMT Matte Black <u>Satin colors</u> <u>Metallic colors</u> WHST White GNME Green GYST Grey BLME Blue DGYS Dark Grey PUME Purple SIST Silver PKME Pink GDST Gold (Rose Gold) <u>Transparent colors</u> CL Clear GYSM Smokey Grey RDTP Red ORTP Fluo Orange YETR Yellow WHTL White BLTP Blue GNTL Lime	<u>Opaque outer colors</u> LF Layered Fine <u>Transparent outer colors</u> TC Tufted Coarse	N None WHHR Glossy White (high reflective)	N None SR Smooth Note: Smooth, Texture is chosen Optics/Beam will default to VWB - Very Wide Beam. Please note, degree optics will be 60 (degree mark) with the insert of a smooth reflector. Note: If a different color, optics, or texture is needed, please contact a member of the 3D Printing team. Most combinations are possible but will require a long lead time to produce.	10L 1000lm 15L 1500lm 20L 2000lm 27L 2700lm 38L 3800lm	MB Medium 25° WB Wide 36° VWB Very Wide 60° DF Diffuse 84° Note: If no Inner Color and Reflector are chosen, only choose from the above Optics/Beams.

Note: Different colors, textures and custom logo options are available upon request.

Mounting

Canopy types	Canopy colors
CO Conical DI Disk	WH White mount BK Black mount SI Silver mount #### Mounting in Shade Color (add color of your choice from the "Colors" options above)



Unleash your inner creator

To configure your custom 3D printed luminaire, scan this QR Code with your smartphone's camera or visit us at: <https://www.3dprinted.lighting.lightolier.com/en/us/BA-Series/>



interact ready.

BAL Series

3D Low Bay (large & small)

Features

- **Customizable:** choose from a vast multitude of colors, textures, shapes and style combinations.
- **Sustainable:** 3D Printed products produce less carbon emissions when compared to traditional, conventional luminaire manufacturing.
- **Domestic production:** Printed & assembled in Littlestown, PA.
- **Quick delivery:** Created on-demand and shipped in weeks.
- **Lightweight:** All models under 10 lbs.

Lumens	Watts
1,000	9
1,500	12.5
2,000	17.5
2,700	22.5
3,800	34
4,500	39.5
6,000	55
7,500	71

Mounting

- **Canopy:** Two styles to choose from in any color.
- **Cord:** 10 feet clear silver cord, sized at time of installation.
- **Junction Box:** Cover plate supplied to allow mounting to industry standard 4 inch box.

Electrical

- **Dimming:** 0-10V dimmable
- **Input Voltage:** 120V - 277V
- **Frequency:** 50/60Hz
- **Power Factor:** 0.9

Labels

cULus Listed, 5 year warranty
IP20, RoHS, & IK02

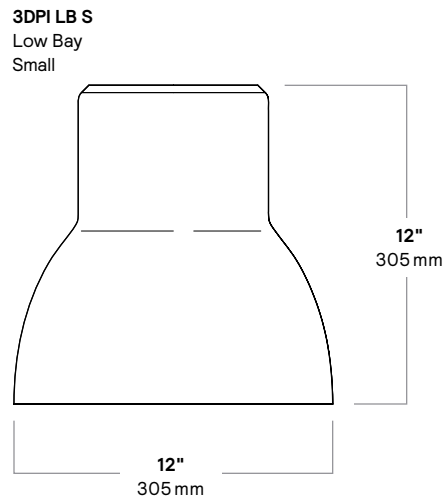
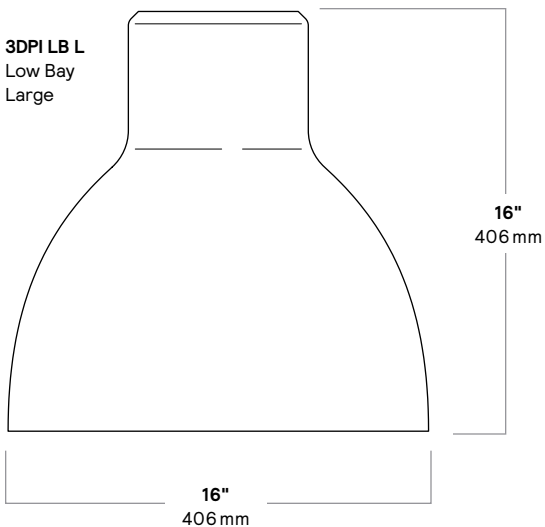
Buy American Act of 1933 (BAA)

This product is manufactured in one of our US factories and, as of the date of this document, this product was considered a commercially available off-the-shelf (COTS) item meeting the requirements of the BAA. This BAA designation hereunder does not address (i) the applicability of, or availability of a waiver under, the Trade Agreements Act, or (ii) the "Buy America" domestic content requirements imposed on states, localities, and other non-federal entities as a condition of receiving funds administered by the Department of Transportation or other federal agencies. Prior to ordering, please visit www.signify.com/baa to view a current list of BAA-compliant products to confirm this product's current compliance.

Interact Pro Scalable System

Interact Pro scalable system with its simple wireless offering can make your smart building journey easy and cost effective. This system can help you boost your energy savings, reach your sustainability targets, and enhance occupancy comfort levels immediately from day one. 3D printed luminaires can be integrated into the Interact Pro scalable system using the System Bridge Accessory SBA module or the RFSR10 control module. For more information please visit: <https://www.interact-lighting.com/en-us/what-is-possible/interact-pro/scalable-system>.

Dimensions



BAL Series

3D Low Bay (large & small)

BAL-L Colors



WHST Satin White



GYST Satin Grey



DGYS Satin Dark Grey



SIST Satin Silver



GDST Satin Gold



GNME Metallic Green



BLME Metallic Blue



PUME Metallic Purple



PKME Metallic Pink



CL Transparent Clear



GYSM Transparent Smokey Grey



ORTP Transparent Fluo Orange



WHTL Transparent White



RDTP Transparent Red



YETP Transparent Yellow



BLTP Transparent Blue



GNTTP Transparent Lime



BKMT Matte Black

BAL Series

3D Low Bay (large & small)

BAL-S Colors



WHST Satin White



GYST Satin Grey



DGYS Satin Dark Grey



SIST Satin Silver



GDST Satin Gold



GNME Metallic Green



BLME Metallic Blue



PUME Metallic Purple



PKME Metallic Pink



CL Transparent Clear



GYSM Transparent Smokey Grey



ORTP Transparent Fluo Orange



WHTL Transparent White



RDTP Transparent Red



YETR Transparent Yellow



BLTP Transparent Blue



GNTL Transparent Lime



BKMT Matte Black



© 2022 Signify Holding. All rights reserved. The information provided herein is subject to change, without notice. Signify does not give any representation or warranty as to the accuracy or completeness of the information included herein and shall not be liable for any action in reliance thereon. The information presented in this document is not intended as any commercial offer and does not form part of any quotation or contract, unless otherwise agreed by Signify.

Signify North America Corporation
400 Crossing Blvd, Suite 600
Bridgewater, NJ 08807
Telephone: 855-486-2216

Signify Canada Ltd.
281 Hillmount Road,
Markham, ON, Canada L6C 2S3
Telephone: 800-668-9008

All trademarks are owned by Signify Holding or their respective owners.