



CAUTION - RISK OF FIRE
This product must be installed in accordance with the applicable installation code by a person familiar with the construction and operation of the product and the hazards involved.
Use minimum 90°c supply conductors.

GENERAL PRODUCT INFORMATION:

These fixtures are intended to be installed utilizing NEC compliant junction boxes.

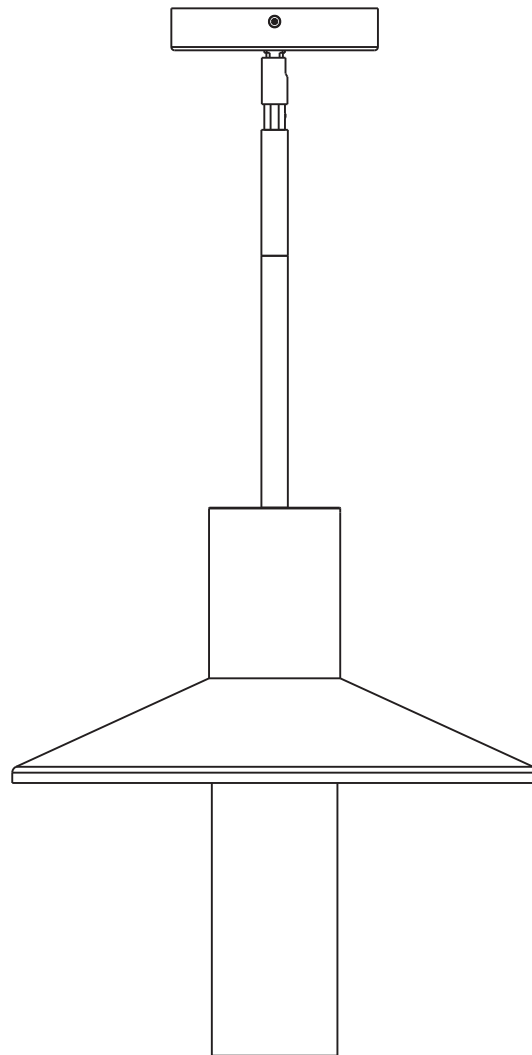
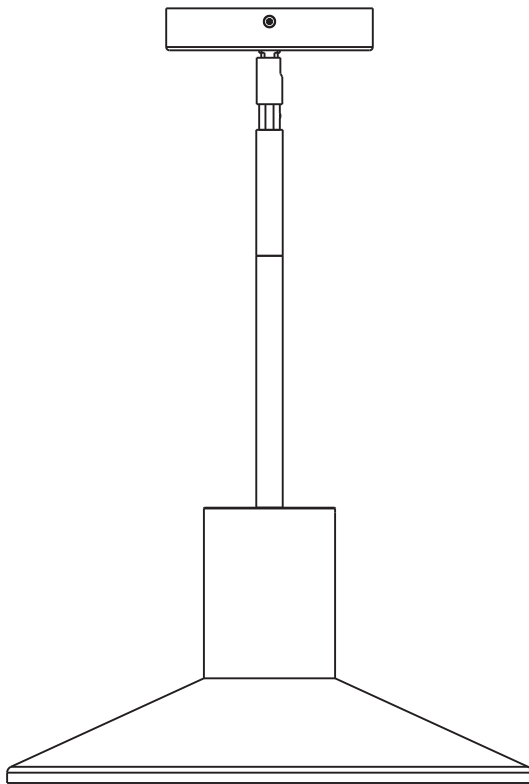
This product is suitable for wet locations.

This instruction shows a typical installation.



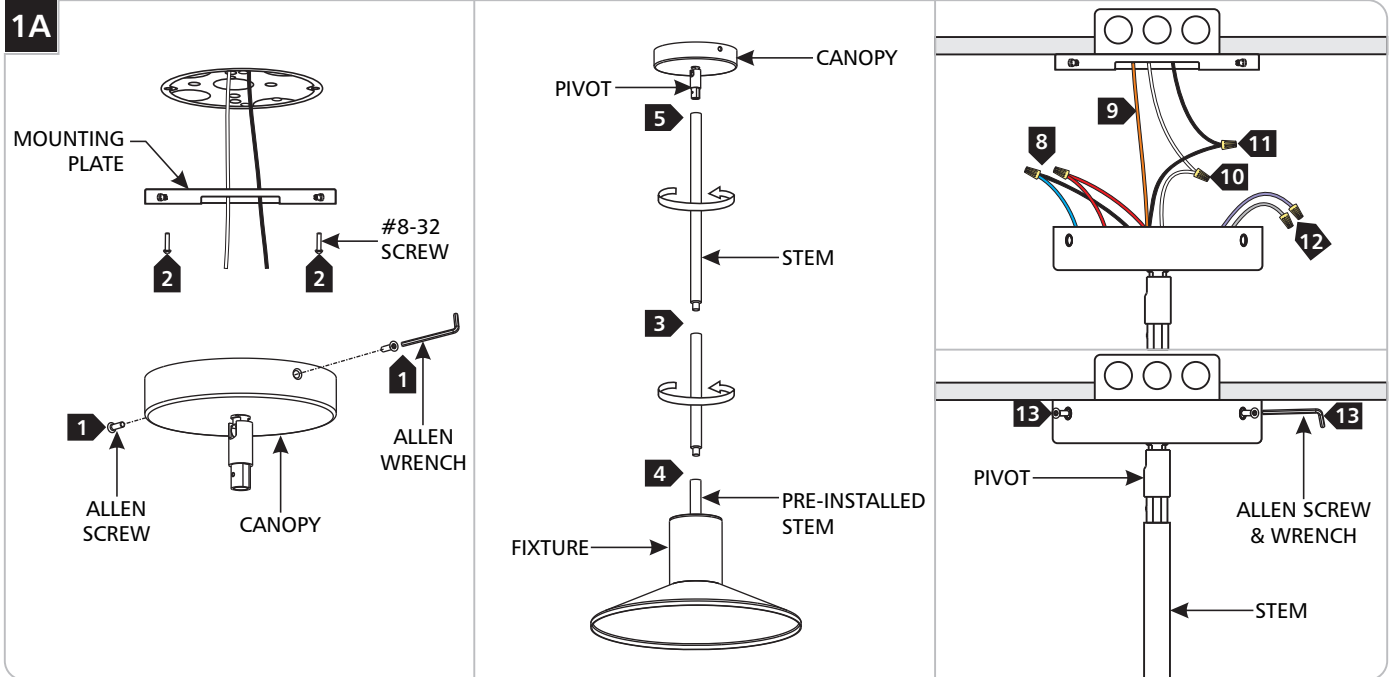
TECH LIGHTING
7400 Linder Ave, Skokie, IL 60077
847.410.4400
www.techlighting.com

© 2020 Tech Lighting, L.L.C. All rights reserved.
Visual Comfort Group



SAVE THESE INSTRUCTIONS!

Install the Fixture



- 1 Remove the mounting plate from the canopy by unscrewing the Allen screws around the canopy using the provided Allen wrench.
- 2 Attach the mounting plate to the junction box using the two provided #8-32 screws.
- 3 Determine desired length of fixture using the provided stems and assemble them by screwing them together.
- 4 Feed the fixture wires through the stem assembly and screw it onto the pre-installed stem on the fixture.
- 5 Feed the fixture wires through the pivot and screw it onto the stem assembly.
- 6 Leave 6" of the cord behind the canopy for power connections. Cut the excess cord.
- 7 Strip the ends of the wires.
- 8 Connect the red fixture wire to the red driver wire and connect the black fixture wire to the blue driver wire with wire nuts.
- 9 Connect the fixture to a suitable ground in accordance with local electrical codes.
- 10 Connect the white fixture wire to the neutral power line wire with a wire nut.
- 11 Connect the black fixture wire to the hot power line wire with a wire nut.
- 12 Use the gray and purple dimming wires for 0-10v dimming application (if not in use, make sure to cap these wires off). **Warning:** The purple and gray wires are only used for 0-10v dimming. For all other applications, do not connect the gray and purple wires.
- 13 Properly place all wires and wire nut connections into the canopy, install the canopy to the mounting plate, and reinstall the Allen screws (reversal of step 1).
- 14 For wet locations, fill cavity on the side of the pivot with silicone.