

CHLORIDE

by Signify

Exit/Emergency

65X series

Wet location emergency unit



Project:	
Location:	
Cat.No:	
Type:	
Lamps:	Qty:
Notes:	

Example: 65X6N12W6

Ni-Cad: 10°F to 113°F (-12°C to 45°C)

65X6N12W6	Ni-Cad	6	12	none	White	MR16 6 Watt
65X6N18W9	Ni-Cad	6	18	none	White	MR16 9 Watt
65X6N24W6	Ni-Cad	6	24	12W	White	MR16 6 Watt
65X6N24W12	Ni-Cad	6	24	none	White	MR16 12 Watt

Ni-Cad with Heater: -40°F to 113°F (-40°C to 45°C)

65X6N12W6CW	Ni-Cad	6	12	none	White	MR16 6 Watt
65X6N18W9CW	Ni-Cad	6	18	none	White	MR16 9 Watt
65X6N24W12CW3	Ni-Cad	6	24	none	White	MR16 12 Watt

Footnotes

- ¹ Housing includes Top Cover and Backplate. Lens is Clear Lexan® and Inside Cover is Gray.
- ² For black finish substitute "W" in catalog number with "B". Example: 65XL6L18B9.
- ³ Temperature range on this unit is -20°F to 113°F (-29° C 45°C).
- ⁴ Consult Signify to confirm whether specific accessories are BAA-compliant.

Options

- LX** – Laser activation of manual test via handheld remote control transmitter, RLT (sold separately), (for Indoor Applications only).
- LS** – Less Self-Test of Lamps.
- TD** – Time Delay 15 min.

Accessories⁴

- RLT** – Remote Laser Transmitter (for Indoor Applications only)
- WG** – Wire Guard

codes and standards

- ETL Listed to UL924 Standard
- Wet Location listing
- NFPA 101 (Life Safety Code)
- NFPA 70 (National Electric Code)

construction and finish

- The housing is comprised of four separate components: Top Cover, Clear Lexan® Lens, Inside Cover and Backplate.
- Each piece is injection molded UV stabilized polycarbonate which is flame-retardant and impact-resistant.
- Top cover secures unit with four positive latching points.
- All units are wet location standard and include a neoprene gasket between the backplate and cover. A foam gasket also adheres to the backplate to prevent moisture penetration.
- The 65X is available with white or black top cover and backplate. Inside cover is gray standard.
- Each unit is supplied with a magnet for unit testing without needing to remove the unit's front cover.

installation

- Designed for wall or ceiling mount with a universal J-box pattern on box.
- Surface conduit entry on top of housing in center of backplate.

electronics Xtest

- All units utilize a micro-processor and contain the **Xtest** self-test/self-diagnostic circuit. Each unit includes low voltage disconnect, AC lockout, and brownout protection.
- The test switch is located under the polycarbonate cover for protection.
- 120/277 VAC selectable input

lamps

- Fully adjustable lamp heads with MR16 lamps are available in choice of 6W, 9W and 12W.

battery

- 6V maintenance-free nickel cadmium battery with a service life of 8 to 10 years and an operating temperature range of 10°F (-12°C) to 113°F (45°C).
- Provides a minimum of 90 minutes emergency illumination.
- Optional battery blanket heater with factory-set thermostat provides for installation in colder environments (on select units).

options

- **TD** – After power failure and power is restored, the lamp will remain illuminated for a 15 minute period (provided battery capacity remains).
- **LX** – To operate using a laser pen: passing laser briefly over the remote sensor simply duplicates the manual button (1, 2, 3) pushes.
- **LS** – Lamps will not come on when the unit performs its automatic monthly self-test functions.

remote capacity

- The 65X6N24W6 unit has remote capacity of 12 watts.

warranty

- Five full year warranty on units. (Lamps not included.)

65X Wet location emergency unit

automatic test

- The system charger and lamps are continually being controlled via pre-determined parameters specific to each model configuration automatically.
- The battery is controlled via a true open circuit test each hour after initial installation.
- Once a month, the **Xtest** System illuminates lamps under load for 30 minutes simulating a power outage with a true "charger off" condition, without affecting long-term battery life.
- This is above and beyond the requirements of the National Electric Code and/or the National Fire Protection Association, which only requires a 30-second full load test once every month.
- This gives you unequaled control and confidence, knowing you are meeting self-test code requirements each and every month.

manual test

- A manual test switch, located under the polycarbonate cover, allows for the **Xtest** System to perform the tests below at any time.
- The 65X emergency unit is shipped with a magnet to perform manual tests without having to remove the cover to press the test switch.
- Simply swipe or pass the magnet over the test switch to perform a manual test.

Press Button:

Once - 5 second test, charger off, no load

Twice - 60 second test, charger off, lamps on

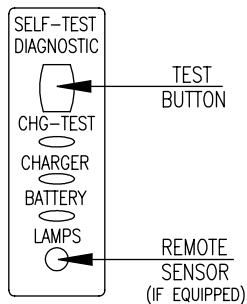
Three - 90 minute test, charger off, lamps on

6-Second Hold - Fully reinitializes micro-processor.

Pressing once during any test will cancel/abort testing.

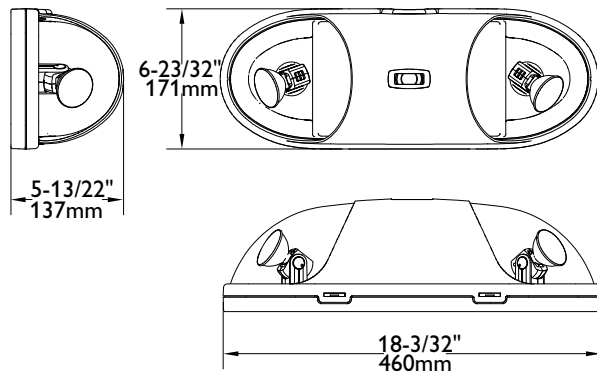
fault indications:

Four LED indicators provide visible indication of system status:



- Test:** Green - Solid indicates system normal and AC power is on.
Green - Flashing indicates a manual or automatic test cycle.
- Charger:** Red - Solid indicates inadequate battery charge before testing. Allow battery to fully charge.
Red - Flashing indicates a charger failure. Requires the power supply board to be replaced.
- Battery:** Red - Flashing indicates the battery is disconnected or if it is connected and has been charged for 72 hours, and a replacement battery is needed.
- Lamp:** Red - Flashing indicates a lamp(s) is disconnected or if it is connected, then it should be replaced.
- All 3:** Charger, Battery, & Lamp LED's flashing every 1/2 second indicates a bad transfer function. A replacement power supply board is needed.
Charger, Battery, & Lamp LED's flashing every 1/4 second indicates improper door opening. Consult factory.

dimensions

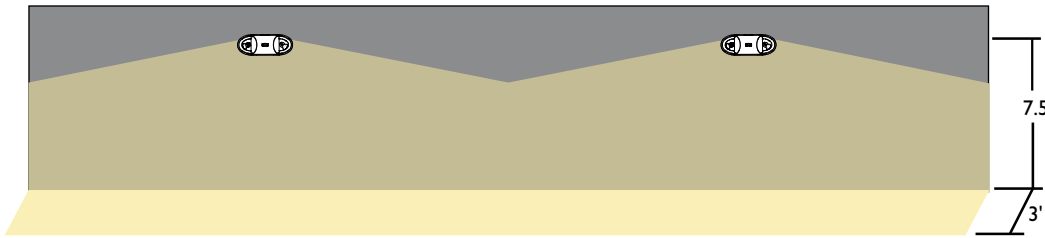


specifications

Type	Battery	AC Input Volts	AC Input (mA)
12W Unit	Nickel Cadmium	120	0.032
	Nickel Cadmium	277	0.012
24W Unit	Nickel Cadmium	120	0.052
	Nickel Cadmium	277	0.022
12W Unit	Nickel Cadmium	120	0.055
w/heater	Nickel Cadmium	277	0.022

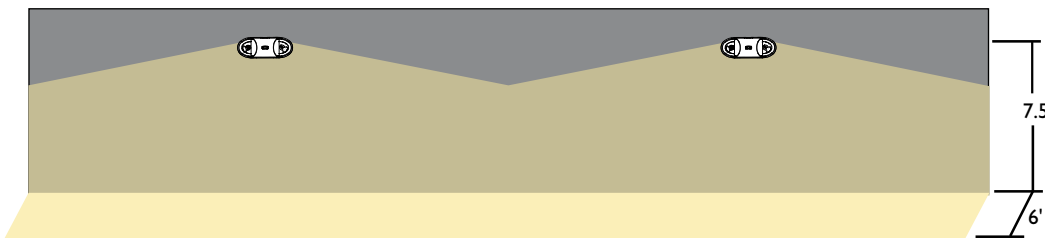
65X Wet location polycarbonate emergency unit

photometry



Test Numbers:
 6W - 265522
 9W - 26552P
 12W - 26552

6W MR16 lamp	22ft. spacing	avg. fc. = 1.00	max. fc. = 3.2	min. fc. = 0.2
9W MR16 lamp	32ft. spacing	avg. fc. = 1.04	max. fc. = 2.6	min. fc. = 0.2
12W MR16 lamp	42ft. spacing	avg. fc. = 1.07	max. fc. = 2.5	min. fc. = 0.2



Test Numbers:
 6W - 265522
 9W - 26552P
 12W - 26552

6W MR16 lamp	18ft. spacing	avg. fc. = 1.03	max. fc. = 3.5	min. fc. = 0.2
9W MR16 lamp	26ft. spacing	avg. fc. = 1.04	max. fc. = 3.3	min. fc. = 0.2
12W MR16 lamp	34ft. spacing	avg. fc. = 1.04	max. fc. = 2.8	min. fc. = 0.2

Buy American Act of 1933 (BAA):

This product is manufactured in one of our US factories and, as of the date of this document, this product was considered a commercially available off-the-shelf (COTS) item meeting the requirements of the BAA. This BAA designation hereunder does not address (i) the applicability of, or availability of a waiver under, the Trade Agreements Act, or (ii) the "Buy America" domestic content requirements imposed on states, localities, and other non-federal entities as a condition of receiving funds administered by the Department of Transportation or other federal agencies. Prior to ordering, please visit www.signify.com/baa to view a current list of BAA-compliant products to confirm this product's current compliance.



© 2021 Signify Holding. All rights reserved. The information provided herein is subject to change, without notice. Signify does not give any representation or warranty as to the accuracy or completeness of the information included herein and shall not be liable for any action in reliance thereon. The information presented in this document is not intended as any commercial offer and does not form part of any quotation or contract, unless otherwise agreed by Signify.

Signify North America Corporation
 200 Franklin Square Drive,
 Somerset, NJ 08873
 Telephone 855-486-2216

Signify Canada Ltd.
 281 Hillmount Road,
 Markham, ON, Canada L6C 2S3
 Telephone 800-668-9008

All trademarks are owned by Signify Holding or their respective owners.